

COUNTY OF SAN MATEO, PLANNING AND BUILDING DEPARTMENT

REVISED (February 27, 2014)
NOTICE OF INTENT TO ADOPT
NEGATIVE DECLARATION

(revisions shown in underline and strikethrough format)

A notice, pursuant to the California Environmental Quality Act of 1970, as amended (Public Resources Code 21,000, et seq.), that the following project: La Costanera Use Permit Amendment, when adopted and implemented, will not have a significant impact on the environment.

FILE NO.: PLN 2006-00494

OWNER: A&G, LLC

APPLICANT: Farhad Mortazavi, Mortazavi Consulting

HISTORICAL PARKING LOT SITE: State of California Department of Parks and Recreation

ASSESSOR'S PARCEL NOS.: A&G, LLC: 036-046-050, -310, -380, -390, and -400 (0.73 acre total); and State of California: 036-046-410 (0.41 acre); 036-321-010 (16.6 acres)

LOCATION: 8150 Cabrillo Highway, Montara, unincorporated Montara area of San Mateo County and adjoining property owned by the State of California

PROJECT DESCRIPTION

The La Costanera Restaurant site consists of an 11,332 sq. ft. restaurant and two on-site parking lots, Lots A and C, containing a total of 52 parking spaces. The applicant, Farhad Mortazavi, requests the following:

1. ~~a~~ A Design Review Permit and ~~to amend its existing~~ Use Permit Amendment for the continued and expanded operation of the La Costanera Restaurant:
 - Expanded Hours of Operation: The existing Use Permit (UP 20-77), originally issued for the Charthouse restaurant in the same location, restricts the hours of operation to "5:00 p.m. to closing time." The applicant proposes to expand the hours of operation to 10:00 a.m. to 2:00 a.m. (brunch, lunch and dinner service), where brunch and lunch seating will be limited to Fridays and weekends only and a total of 93 seats. The applicant also proposes to re-stripe Lots A and C to accommodate 33 parking spaces in Lot A and 25 spaces in Lot C, for a total of 58 parking spaces (where 52 spaces currently exist). For brunch and lunch, the applicant proposes to provide all parking in Lot C with valet-only parking available, whereby parking for 31 cars could be accommodated.
 - Legalization of Minor Modifications to the Restaurant Structure: Legalize improvements to the property that were not authorized by the previous Use

Permit, including lighting added to the building (nine rooftop lights) and the construction of two outdoor patios (e.g., tiles and railings).

And

•

2. A Grading Permit and a Planned Agricultural Development Permit for the Formalization of Historical Parking Uses by Beach Users at an on Adjoining property Owned by the State of California Department of Parks and Recreation (State Parks). The applicant proposes to perform access, drainage, and landscaping improvements, involving 250-246 cubic yards (c.y.) of fill placement and 5 c.y. of excavation, to facilitate its use as a 21-space, gravel surface parking lot (Lot B) for beach user access anytime. State Parks has authorized the use under a signed Letter of Intent. The property owner of 8150 Cabrillo Highway proposes to maintain access, drainage, and landscaping improvements for the life of the project.

State Permit Required: The applicant has applied for an Amendment to Coastal Development Permit (CDP P-77-579) Amendment from the California Coastal Commission (CCC) for the project described above, as well as for the repair of existing drainage systems and riprap at the restaurant and State properties. The CDP Amendment for the project will be processed by the CCC separately from the Use Permit requested from the County. Until the CDP Amendment is granted, the Use Permit amendment would be considered inactive. ~~While the repair of drainage systems and riprap is not a part of the project being reviewed by the County, this work is included in this Mitigated Negative Declaration.~~

SCOPE OF THIS DOCUMENT

This Initial Study and Negative Declaration addresses the potential environmental impacts of the proposed expansion in operating hours, installation of exterior lights and signs, and grading and drainage of the formalized parking area. These impacts, as well the potential additional environmental impacts caused by elements of the project that are outside of the County's jurisdiction (i.e., repairs to the riprap revetment), will also be considered during the Coastal Commission's consideration of the required Coastal Development Permit Amendment.

FINDINGS AND BASIS FOR A NEGATIVE DECLARATION

The Current Planning Section has reviewed the initial study for the project and, based upon substantial evidence in the record, finds that:

1. The project will not adversely affect water or air quality or increase noise levels substantially.
2. The project will not have adverse impacts on the flora or fauna of the area.
3. The project will not degrade the aesthetic quality of the area.
4. The project will not have adverse impacts on traffic or land use.

5. In addition, the project will not:
 - a. Create impacts which have the potential to degrade the quality of the environment.
 - b. Create impacts which achieve short-term to the disadvantage of long-term environmental goals.
 - c. Create impacts for a project which are individually limited, but cumulatively considerable.
 - d. Create environmental effects which will cause substantial adverse effects on human beings, either directly or indirectly.

The County of San Mateo has, therefore, determined that the environmental impact of the project is insignificant.

MITIGATION MEASURES included in the project to avoid potentially significant effects:

Mitigation Measure 1: Prior to the County Geotechnical Section's approval of the building permit for the project, the applicant shall demonstrate project conformance with the recommendations of the project soils reports (Geotechnical Engineering Consultation, Poor Drainage and Riprap Erosion, La Costanera Restaurant, 8150 Cabrillo Highway, Montara, California, BAGG Engineers, February 9, 2010, ~~and~~ Geotechnical Engineering Consultation, Unpaved Parking Lot, La Costanera Restaurant, 8150 Cabrillo Highway, Montara, California, BAGG Engineers, October 27, 2011, and Update of Geotechnical Consultation Report, dated October 27, 2011, Unpaved Parking Lot La Costanera Restaurant, 8150 Cabrillo Highway, Montara, California, BAGG Engineers, dated January 3, 2013), to the satisfaction of the County Planning and Building Department's Geotechnical Section.

Mitigation Measure 2: ~~Should~~As the parking lot would result in 5,000 sq. ft. or more of impervious surface (e.g., if the dirt lot is compacted to 95% compaction, then the lot would be considered impervious), the project shall comply with Provision C.3 of the NPDES Municipal Regional Permit stormwater treatment requirements and stormwater treatment plans shall be submitted to the County prior to project approval. Stormwater treatment facilities, ~~if required~~, shall be reviewed by the project geotechnical consultant.

Mitigation Measure 3: Prior to any ground disturbance, the applicant shall apply for a building permit. Monthly inspections (at minimum) by the building inspector during the wet season are required to confirm adequate erosion and sediment control. At the time of building permit application, the applicant shall provide the estimated date when grading operations will begin, anticipated end date of grading operations, including dates of revegetation and estimated date of establishment of newly planted vegetation.

Mitigation Measure 4: Prior to any ground disturbance, the erosion and sediment control plan shall be reviewed by the County Planning and Building Department's Geotechnical Section to ensure that erosion control measures are appropriate for the site's bluff top location and would not contribute to further bluff erosion. Once approved, erosion and sediment control measures of the erosion control plan shall be installed prior to beginning any site work and maintained throughout the term of the grading permit until newly planted

vegetation is fully established. Failure to install or maintain these measures will result in stoppage of construction until the corrections have been made and fees paid for County staff enforcement time. Revisions to the approved erosion and sediment control plan shall be prepared and signed by the engineer and reviewed by the County Planning and Building Department's Geotechnical Section, County Department of Public Works and the Community Development Director.

Mitigation Measure 5: No grading shall be allowed during the winter season (October 1 to April 30) to avoid potential soil erosion.

Mitigation Measure 6: The applicant shall adhere to the San Mateo Countywide Stormwater Pollution Prevention Program "General Construction and Site Supervision Guidelines," including, but not limited to, the following:

- a. Delineation with field markers clearing limits, easements, setbacks, sensitive or critical areas, buffer zones, trees, and drainage courses within the vicinity of areas to be disturbed by construction and/or grading.
- b. Protection of adjacent properties and undisturbed areas from construction impacts using vegetative buffer strips, sediment barriers or filters, dikes, mulching, or other measures as appropriate.
- c. Performing clearing and earth-moving activities only during dry weather.
- d. Stabilization of all denuded areas and maintenance of erosion control measures continuously between October 1 and April 30. Stabilization shall include both proactive measures, such as the placement of hay bales or coir netting, and passive measures, such as revegetating disturbed areas with plants propagated from seed collected in the immediate area.
- e. Storage, handling, and disposal of construction materials and wastes properly, so as to prevent their contact with stormwater.
- f. Control and prevention of the discharge of all potential pollutants, including pavement cutting wastes, paints, concrete, petroleum products, chemicals, wash water or sediments, and non-stormwater discharges to storm drains and watercourses.
- g. Use of sediment controls or filtration to remove sediment when dewatering site and obtain all necessary permits.
- h. Avoiding cleaning, fueling, or maintaining vehicles on-site, except in a designated area where wash water is contained and treated.
- i. Limiting and timing applications of pesticides and fertilizers to prevent polluted runoff.
- j. Limiting construction access routes and stabilization of designated access points.
- k. Avoiding tracking dirt or other materials off-site; cleaning off-site paved areas and sidewalks using dry sweeping methods.

- l. Training and providing instruction to all employees and subcontractors regarding the Watershed Protection Maintenance Standards and construction Best Management Practices.
- m. Additional Best Management Practices in addition to those shown on the plans may be required by the Building Inspector to maintain effective stormwater management during construction activities. Any water leaving the site shall be clear and running slowly at all times.

Mitigation Measure 7: It shall be the responsibility of the engineer of record to regularly inspect the erosion control measures for the duration of all grading activities, especially after major storm events, and determine that they are functioning as designed and that proper maintenance is being performed. Deficiencies shall be immediately corrected, as determined by and implemented under the observation of the engineer of record.

Mitigation Measure 8: Upon the start of grading activities and through to the completion of the project, the applicant shall be responsible for ensuring that the following dust control guidelines are implemented:

- a. All graded surfaces and materials, whether filled, excavated, transported or stockpiled, shall be wetted, protected or contained in such a manner as to prevent any significant nuisance from dust, or spillage upon adjoining water body, property, or streets. Equipment and materials on the site shall be used in such a manner as to avoid excessive dust. A dust control plan may be required at any time during the course of the project.
- b. A dust palliative shall be applied to the site when required by the County. The type and rate of application shall be recommended by the soils engineer and approved by the Department of Public Works, the Planning and Building Department's Geotechnical Engineer, and the Regional Water Quality Control Board.

Mitigation Measure 9: In order to prevent further reduction of beach user parking at the restaurant site and at the State Parks property, the applicant shall post signs at the properties with language comparable to the language provided below, with the wording, number, color and size of signs subject to the approval of the Community Development Director:

- Signage at the entrance of the State Parks property shall state that parking by restaurant visitors is prohibited at all times.
- Signage in Lot A of the restaurant property shall state that parking is only available to restaurant visitors after 5:00 p.m.
- Signage in Lot C of the restaurant property shall state that parking is only available to restaurant visitors after 5:00 p.m. and before 5:00 p.m. on Fridays and weekends only. Signage shall also caution beach visitors of increased traffic on the property on Fridays and weekends and to use designated Coastal Trail paths to cross the property.

Mitigation Measure 10: The property owner shall designate walking/bicycle paths across Lots A and C, using methods such as striping and signage, in order to reduce conflicts between pedestrians, bicyclists, and vehicle traffic. The design and alignment of these improvements shall be consistent with the recommendations of the “Highway 1 Safety and Mobility Improvement Study: Phase 2” report, dated October 2012, including but not limited to the Montara State Beach Coast and Trail Access Maps (Attachment M). A Site Circulation and Signage Plan that depicts the details of these improvements shall be submitted to the Community Development Director for review and approval, prior to the Current Planning’s Section approval of any permit (e.g., grading permit or building permit) for the project. The property owner shall demonstrate implementation of improvements, as approved, prior to the Current Planning Section’s final approval of the building permit.

Mitigation Measure 1140: Prior to the Current Planning Section’s approval of the building permit, the applicant shall remove two of the 150-watt light fixtures which illuminate Parking Lot A, such that there is no more than three lighting fixtures on the north side of the restaurant building.

Mitigation Measure 1244: Prior to the Current Planning Section’s approval of the building permit, the applicant shall replace or reposition existing light fixtures in Parking Lot C such that light is directed downward at the parking lot only, each lighting fixture does not exceed 150 watts, and the total number of lighting fixtures does not exceed three.

Mitigation Measure 1342: The applicant shall modify the lighting plan for the rear/west elevation such that lighting fixtures are positioned no higher than the ceiling height of the lower floor, each lighting fixture does not exceed 150 watts, and the number of lighting fixtures shall not exceed five. Prior to the Current Planning Section’s final approval of the building permit, staff shall review the wattage of the west elevation and wattage shall be adjusted as required by staff to achieve adequate lighting for patio dining and minimization of light impacts on beach areas. Also, no temporary lighting is permitted on the property without the approval of the Community Development Director.

Mitigation Measure 1413: ~~The applicant and contractors must be prepared to carry out the requirements of California State law with regard to the discovery of human remains during construction, whether historic or prehistoric. In the event that any human remains are encountered during site disturbance, all ground-disturbing work shall cease immediately and the County coroner shall be notified immediately. If the coroner determines the remains to be Native American, the Native American Heritage Commission shall be contacted within 24 hours. A qualified archaeologist, in consultation with the Native American Heritage Commission, shall recommend subsequent measures for disposition of the remains. The applicant shall comply with the following requirements relating to the avoidance of the CA-SMA-115 cultural site and discovery of archaeological remains, including human remains, during all grading and construction activity:~~

- a. Prior to the Current Planning Section’s approval of the building permit application, the applicant shall demonstrate that all grading and construction will avoid the CA-SMA-115 cultural site.
- b. Prior to the issuance of the grading permit “hard card,” the applicant shall demonstrate proper protection of the CA-SMA-115 cultural site for grading and construction activity.

The area shall be fenced during grading and construction to assure that no inadvertent damage from equipment or personnel takes place.

- c. If archaeological remains are uncovered, work at the place of discovery should be halted immediately until a qualified archaeologist can evaluate the finds (§15064.5(f)).
- d. If human remains are encountered, excavation or disturbance of the location must be halted in the vicinity of the find, and the County Coroner contacted immediately. If the coroner determines the remains are Native American, the coroner will contact the Native American Heritage Commission within 24 hours. The Native American Heritage Commission will identify the person or persons believed to be most likely descended from the deceased Native American. The most likely descendant makes recommendations regarding the treatment of the remains with appropriate dignity.

RESPONSIBLE AGENCY CONSULTATION

California Coastal Commission
State of California Department of Parks and Recreation

INITIAL STUDY


The San Mateo County Current Planning Section has reviewed the Environmental Evaluation of this project and has found that the probable environmental impacts are insignificant. A copy of the initial study is attached.

REVIEW PERIOD: February 27, 2014 to March 31, 2014.
December 21, 2012 to January 20, 2013 (Original Circulation Date).

All comments regarding the correctness, completeness, or adequacy of this Negative Declaration must be received by the County Planning and Building Department, 455 County Center, Second Floor, Redwood City, no later than **5:00 p.m., March 31, 2014**~~January 20, 2013.~~

CONTACT PERSON

Camille Leung, Project Planner
650/363-1826
cleung@smcgov.org



Camille Leung, Project Planner

CL:fc – CMLW0898(rev)_WJH.DOCX
FRM00013(click).doc
(1/11/07)

County of San Mateo
Planning and Building Department

REVISED (February 27, 2014)
INITIAL STUDY
ENVIRONMENTAL EVALUATION CHECKLIST
(revisions shown in underline and strikethrough format)
(To Be Completed By Current Planning Section)

I. BACKGROUND

Project Title: La Costanera Use Permit Amendment

File No.: PLN 2006-00494

Project Location: 8150 Cabrillo Highway, Montara, unincorporated Montara area of San Mateo County

Assessor's Parcel Nos.: A&G, LLC: 036-046-050, -310, -380, -390, and -400 (0.73 acre total)
State of California: 036-046-410 (0.41 acre); 036-321-010 (16.6 acres)

Applicant: Farhad Mortazavi, Mortazavi Consulting

Owner: A&G, LLC

Date Environmental Information Form Submitted: March 4, 2010

PROJECT DESCRIPTION

The La Costanera Restaurant site consists of an 11,332 sq. ft. restaurant and two on-site parking lots, Lots A and C, containing a total of 52 parking spaces. The applicant, Farhad Mortazavi, requests the following:

1. ~~a~~ a Design Review Permit and ~~to amend its existing~~ Amendment for the continued and expanded operation of the La Costanera Restaurant:
 - Expanded Hours of Operation: The existing Use Permit (UP 20-77), originally issued for the Charthouse restaurant in the same location, restricts the hours of operation to "5:00 p.m. to closing time." The applicant proposes to expand the hours of operation to 10:00 a.m. to 2:00 a.m. (brunch, lunch and dinner service), where brunch and lunch seating will be limited to Fridays and weekends only and a total of 93 seats. The applicant also proposes to re-stripe Lots A and C to accommodate 33 parking spaces in Lot A and 25 spaces in Lot C, for a total of 58 parking spaces (where 52 spaces currently exist). For brunch and lunch, the applicant proposes to provide all parking in Lot C with valet-only parking available, whereby parking for 31 cars could be accommodated.
 - Legalization of Minor Modifications to the Restaurant Structure: Legalize improvements to the property that were not authorized by the

previous Use Permit, including lighting added to the building (nine rooftop lights) and the construction of two outdoor patios (e.g., tiles and railings).

And

2. A Grading Permit and a Planned Agricultural Development Permit for the Formalization of Historical Parking Uses by Beach Users at an on Adjoining property Owned by the State of California Department of Parks and Recreation (State Parks). The applicant proposes to perform access, drainage, and landscaping improvements, involving 250-246 cubic yards (c.y.) of fill placement and 5 c.y. of excavation, to facilitate its use as a 21-space, gravel surface parking lot (Lot B) for beach user access anytime. State Parks has authorized the use under a signed Letter of Intent. The property owner of 8150 Cabrillo Highway proposes to maintain access, drainage, and landscaping improvements for the life of the project.

State Permit Required: The applicant has applied for an Amendment to Coastal Development Permit (CDP P-77-579) Amendment from the California Coastal Commission (CCC) for the project described above, as well as for the repair of existing drainage systems and riprap at the restaurant and State properties. The CDP Amendment for the project will be processed by the CCC separately from the Use Permit requested from the County. Until the CDP Amendment is granted, the Use Permit amendment would be considered inactive. ~~While the repair of drainage systems and riprap is not a part of the project being reviewed by the County, this work is included in this Mitigated Negative Declaration.~~

SCOPE OF THIS DOCUMENT

This Initial Study and Negative Declaration addresses the potential environmental impacts of the proposed expansion in operating hours, installation of exterior lights and signs, and grading and drainage of the formalized parking area. These impacts, as well the potential additional environmental impacts caused by elements of the project that are outside of the County's jurisdiction (i.e., repairs to the riprap revetment), will also be considered during the Coastal Commission's consideration of the required Coastal Development Permit Amendment.

II. ENVIRONMENTAL ANALYSIS

Any controversial answers or answers needing clarification are explained on an attached sheet. For source, refer to pages 19 and 20.

	IMPACT				SOURCE
	NO	YES			
		Not Significant	Significant Unless Mitigated	Significant	
1. LAND SUITABILITY AND GEOLOGY Will (or could) this project:					
a. Involve a unique landform or biological area, such as beaches, sand dunes, marshes, tidelands, or San Francisco Bay? Project site adjoins Montara State Beach. See Questions and Answers Section for discussion.		X			B,F,O
b. Involve construction on slope of 15% or greater? The subject sites are relatively flat.	X				E,I
c. Be located in an area of soil instability (subsidence, landslide or severe erosion)? The project site is located near an ocean bluff and is, therefore, in an area of soil instability. See Questions and Answers Section for discussion.			X		D.4
d. Be located on, or adjacent to a known earthquake fault? While the project area is located within the western portion of the seismically active San Francisco Bay region, the project would not result in the introduction of a new land use or the construction of any new structures.		X			Bc,D
e. Involve Class I or Class II Agriculture Soils and Class III Soils rated good or very good for artichokes or Brussels sprouts? None present.	X				M

	IMPACT					SOURCE
	NO	YES				
		Not Significant	Significant Unless Mitigated	Significant	Cumulative	
f. Cause erosion or siltation? See Questions and Answers Section for discussion.			X			M,I
g. Result in damage to soil capability or loss of agricultural land? No on-site agricultural soils or agricultural production.	X					A,M
h. Be located within a flood hazard area? Project sites are located within Zone X (Area of Minimal Flood Hazard) with the exception of bluff areas in Zone D (Undetermined Risk Areas) and the northeast corner of the State Parks lot in Zone A (Areas with a 1% Annual Chance of Flooding); Community Panel 06081CO117E, effective date October 16, 2012.	X					G
i. Be located in an area where a high water table may adversely affect land use? No new land use or construction is proposed.	X					D
j. Affect a natural drainage channel or streambed, or watercourse? There are no natural drainage channels, streambeds, or watercourses in the vicinity of the project.	X					E
2. <u>VEGETATION AND WILDLIFE</u> Will (or could) this project:						
a. Affect federal or state listed rare or endangered species of plant life in the project area? Areas of proposed land disturbance will occur in disturbed areas (in areas of existing <u>historical, informal parking, drainage systems and riprap</u>). Development in undisturbed areas involves minor grading and gravelling of the State-owned parcel. According to the "Vegetation Map" prepared by TRA Environmental Sciences, Inc., no habitat for special	X					F

	IMPACT					SOURCE
	NO	YES				
		Not Significant	Significant Unless Mitigated	Significant	Cumulative	
status species was found during TRA's August 2012 site visit. Vegetation at the State site consists mainly of ice plants.						
b. Involve cutting of heritage or significant trees as defined in the County Heritage Tree and Significant Tree Ordinance? No trees proposed for removal.	X					I,A
c. Be adjacent to or include a habitat food source, water source, nesting place or breeding place for a federal or state listed rare or endangered wildlife species? Areas of proposed land disturbance will occur in disturbed areas (in areas of existing <u>historical, informal parking, drainage systems and riprap</u>). Development in undisturbed areas involves minor grading and gravelling of the State-owned parcel. According to the "Vegetation Map" prepared by TRA Environmental Sciences, Inc., no habitat for special status species was found during TRA's August 2012 site visit.	X					F
d. Significantly affect fish, wildlife, reptiles, or plant life? Areas of proposed land disturbance will occur in disturbed areas (in areas of existing <u>historical, informal parking, drainage systems and riprap</u>). Development in undisturbed areas involves minor grading and gravelling of the State-owned parcel. According to the "Vegetation Map" prepared by TRA Environmental Sciences, Inc., no habitat for special status species was found during TRA's August 2012 site visit.	X					I

	IMPACT					SOURCE
	NO	YES				
		Not Significant	Significant Unless Mitigated	Significant	Cumulative	
<p>e. Be located inside or within 200 feet of a marine or wildlife reserve?</p> <p>No. Project site (area of land disturbance) is not located in such an area nor is it located within 200 feet of such an area. However, it should be noted that the site is north of and within proximity of the Fitzgerald Marine Reserve, Area of Special Biological Significance.</p>	X					E,F,O
<p>f. Infringe on any sensitive habitats?</p> <p>Areas of proposed land disturbance will occur in disturbed areas (in areas of existing <u>historical, informal parking, drainage systems and riprap</u>). Development in undisturbed areas involves minor grading and gravelling of the State-owned parcel. According to the "Vegetation Map" prepared by TRA Environmental Sciences, Inc., no habitat for special status species was found during TRA's August 2012 site visit.</p>	X	X				F
<p>g. Involve clearing land that is 5,000 sq. ft. or greater (1,000 sq. ft. within a County Scenic Corridor), that has slopes greater than 20% or that is in a sensitive habitat or buffer zone?</p> <p>See Questions and Answers Section for discussion.</p>		X				I,F,Bb
<p>3. <u>PHYSICAL RESOURCES</u></p> <p>Will (or could) this project:</p>						
<p>a. Result in the removal of a natural resource for commercial purposes (including rock, sand, gravel, oil, trees, minerals or topsoil)?</p> <p>None proposed.</p>	X					I
<p>b. Involve grading in excess of 150 cubic yards?</p> <p>See Questions and Answers Section for discussion.</p>			X			I

	IMPACT					SOURCE
	NO	YES				
		Not Significant	Significant Unless Mitigated	Significant	Cumulative	
c. Involve lands currently protected under the Williamson Act (agricultural preserve) or an Open Space Easement? Subject property is not protected under the Williamson Act (agricultural preserve) or an Open Space Easement.	X					I
d. Affect any existing or potential agricultural uses? There is no on-site agricultural soils or agricultural production.	X					A,K,M
4. <u>AIR QUALITY, WATER QUALITY, SONIC</u> Will (or could) this project:						
a. Generate pollutants (hydrocarbon, thermal odor, dust or smoke particulates, radiation, etc.) that will violate existing standards of air quality on-site or in the surrounding area? See Questions and Answers Section for discussion.			X			I,N,R
b. Involve the burning of any material, including brush, trees and construction materials? Project does not involve the burning of any material.	X					I
c. Be expected to result in the generation of noise levels in excess of those currently existing in the area, after construction? Project would not generate a temporary increase in noise levels in excess of those currently existing in the area, after during construction, as well as a minor permanent increase in noise levels (associated with additional vehicles and visitors) in excess of those currently existing in the area during brunch and lunch times on Fridays and weekends.	X	X				Ba,I

	IMPACT					SOURCE
	NO	YES				
		Not Significant	Significant Unless Mitigated	Significant	Cumulative	
<p>d. Involve the application, use or disposal of potentially hazardous materials, including pesticides, herbicides, other toxic substances, or radioactive material?</p> <p>Project does not involve the application, use or disposal of potentially hazardous materials.</p>	X					I
<p>e. Be subject to noise levels in excess of levels determined appropriate according to the County Noise Ordinance or other standard?</p> <p>No. Project will not introduce any new uses or sensitive receptors.</p>	X					A,Ba,Bc
<p>f. Generate noise levels in excess of levels determined appropriate according to the County Noise Ordinance standard?</p> <p>See Questions and Answers Section for discussion.</p>		X				I
<p>g. Generate polluted or increased surface water runoff or affect groundwater resources?</p> <p>See Questions and Answers Section for discussion.</p>			X			I
<p>h. Require installation of a septic tank/leachfield sewage disposal system or require hookup to an existing collection system which is at or over capacity?</p> <p>The project does not involve installation of a septic tank/leachfield sewage disposal system nor does it require hookup to an existing collection system which is at or over capacity.</p>	X					S

	IMPACT					SOURCE
	NO	YES				
		Not Significant	Significant Unless Mitigated	Significant	Cumulative	
5. TRANSPORTATION						
Will (or could) this project:						
a. Affect access to commercial establishments, schools, parks, etc.? See Questions and Answers Section for discussion.			X			A,I
b. Cause noticeable increase in pedestrian traffic or a change in pedestrian patterns? See Questions and Answers Section for discussion.		X	X			A,I
c. Result in noticeable changes in vehicular traffic patterns or volumes (including bicycles)? See Questions and Answers Section for discussion.		X	X			I
d. Involve the use of off-road vehicles of any kind (such as trail bikes)? Project does not involve the use of off-road vehicles of any kind.	X					I
e. Result in or increase traffic hazards? See Questions and Answers Section for discussion.		X				S
f. Provide for alternative transportation amenities such as bike racks? Alternative transportation amenities, such as bike racks, are not included in the proposal.	X					I
g. Generate traffic which will adversely affect the traffic carrying capacity of any roadway? See Questions and Answers Section for discussion.		X				S

	IMPACT					SOURCE
	NO	YES				
		Not Significant	Significant Unless Mitigated	Significant	Cumulative	
6. LAND USE AND GENERAL PLANS						
Will (or could) this project:						
a. Result in the congregating of more than 50 people on a regular basis? See Questions and Answers Section for discussion.		X				I
b. Result in the introduction of activities not currently found within the community? The project will result in the introduction of lunch services at the existing restaurant.		X				I
c. Employ equipment which could interfere with existing communication and/or defense systems? Project does not involve the use, installation or construction of any equipment.	X					I
d. Result in any changes in land use, either on or off the project site? The project will formalize historical beach user parking uses at the State property. See Questions and Answers Section for discussion.		X				I
e. Serve to encourage off-site development of presently undeveloped areas or increase development intensity of already developed areas (examples include the introduction of new or expanded public utilities, new industry, commercial facilities or recreation activities)? See Questions and Answers Section for discussion.		X				I,Q,S

	IMPACT					SOURCE
	NO	YES				
		Not Significant	Significant Unless Mitigated	Significant	Cumulative	
<p>f. Adversely affect the capacity of any public facilities (streets, highways, freeways, public transit, schools, parks, police, fire, hospitals), public utilities (electrical, water and gas supply lines, sewage and storm drain discharge lines, sanitary landfills) or public works serving the site?</p> <p>See Questions and Answers Section for discussion.</p>		X				I,S
<p>g. Generate any demands that will cause a public facility or utility to reach or exceed its capacity?</p> <p>See Questions and Answers Section for discussion.</p>		X				I,S
<p>h. Be adjacent to or within 500 feet of an existing or planned public facility?</p> <p>There is no change to existing location of the restaurant, which is located adjacent to State park facilities, Highway 1, and the Montara Water and Sanitary District pump station.</p>		X				A
<p>i. Create significant amounts of solid waste or litter?</p> <p>The Montara Water and Sanitary District currently serves the existing restaurant and will continue to serve the restaurant during expanded hours of operation.</p>		X				I
<p>j. Substantially increase fossil fuel consumption (electricity, oil, natural gas, coal, etc.)?</p> <p>The proposed expanded hours of operation for the restaurant will result in a minimal increase in the use of fossil fuels, as provided by existing utility connections.</p>		X				I
<p>k. Require an amendment to or exception from adopted general plans, specific plans, or community policies or goals?</p> <p>No. Project does not require an amendment to or exception from adopted general plans, specific plans, or community policies or goals.</p>	X					B

	IMPACT					SOURCE
	NO	YES				
		Not Significant	Significant Unless Mitigated	Significant	Cumulative	
l. Involve a change of zoning? The project does not involve a change in parcel zoning.	X					C
m. Require the relocation of people or businesses? The project will not involve the relocation of people or businesses.	X					I
n. Reduce the supply of low-income housing? The project will not reduce the supply of low-income housing.	X					I
o. Result in possible interference with an emergency response plan or emergency evacuation plan? See Questions and Answers Section for discussion.		X				S
p. Result in creation of or exposure to a potential health hazard? Project will not involve the creation of or exposure to any potential health hazard.	X					S
7. AESTHETIC, CULTURAL AND HISTORIC Will (or could) this project:						
a. Be adjacent to a designated Scenic Highway or within a State or County Scenic Corridor? See Questions and Answers Section for discussion.			X			A,Bb
b. Obstruct scenic views from existing residential areas, public lands, public water body, or roads? See Questions and Answers Section for discussion.			X			A,I

	IMPACT					SOURCE
	NO	YES				
		Not Significant	Significant Unless Mitigated	Significant	Cumulative	
c. Involve the construction of buildings or structures in excess of three stories or 36 feet in height? No. The project involves legalization of minor modifications (two exterior patios and nine lighting fixtures) to the existing restaurant structure. Patios and lighting fixtures do not add to the height of the structure.	X					I
d. Directly or indirectly affect historical or archaeological resources on or near the site? See Questions and Answers Section for discussion.			X			H
e. Visually intrude into an area having natural scenic qualities? See Questions and Answers Section for discussion.		X				A,I

III. **RESPONSIBLE AGENCIES.** Check what agency has permit authority or other approval for the project.

AGENCY	YES	NO	TYPE OF APPROVAL
U.S. Army Corps of Engineers (CE)		X	
State Water Resources Control Board		X	
Regional Water Quality Control Board		X	
State Department of Public Health		X	
San Francisco Bay Conservation and Development Commission (BCDC)		X	
U.S. Environmental Protection Agency (EPA)		X	
County Airport Land Use Commission (ALUC)		X	
CalTrans		X	
Bay Area Air Quality Management District		X	
U.S. Fish and Wildlife Service		X	

AGENCY	YES	NO	TYPE OF APPROVAL
Coastal Commission	X		<u>Amendment of CDP P-77-579</u>
City: N/A		X	
Sewer/Water District: N/A		X	
Other: N/A		X	

IV. MITIGATION MEASURES

	<u>Yes</u>	<u>No</u>
No mitigation measures are needed.	_____	<u>X</u>
Mitigation measures have been proposed in project application.	_____	<u>X</u>
Other mitigation measures are needed.	<u>X</u>	_____

The following measures are included in the project plans or proposals pursuant to Section 15070(b)(1) of the State CEQA Guidelines:

Mitigation Measure 1: Prior to the County Geotechnical Section's approval of the building permit for the project, the applicant shall demonstrate project conformance with the recommendations of the project soils reports (Geotechnical Engineering Consultation, Poor Drainage and Riprap Erosion, La Costanera Restaurant, 8150 Cabrillo Highway, Montara, California, BAGG Engineers, February 9, 2010, ~~and~~ Geotechnical Engineering Consultation, Unpaved Parking Lot, La Costanera Restaurant, 8150 Cabrillo Highway, Montara, California, BAGG Engineers, October 27, 2011, and Update of Geotechnical Consultation Report, dated October 27, 2011, Unpaved Parking Lot La Costanera Restaurant, 8150 Cabrillo Highway, Montara, California, BAGG Engineers, dated January 3, 2013), to the satisfaction of the County Planning and Building Department's Geotechnical Section.

Mitigation Measure 2: ~~Should~~As the parking lot would result in 5,000 sq. ft. or more of impervious surface (e.g., if the dirt lot is compacted to 95% compaction, then the lot would be considered impervious), the project shall comply with Provision C.3 of the NPDES Municipal Regional Permit stormwater treatment requirements and stormwater treatment plans shall be submitted to the County prior to project approval. Stormwater treatment facilities, ~~if required,~~ shall be reviewed by the project geotechnical consultant.

Mitigation Measure 3: Prior to any ground disturbance, the applicant shall apply for a building permit. Monthly inspections (at minimum) by the building inspector during the wet season are required to confirm adequate erosion and sediment control. At the time of building permit application, the applicant shall provide the estimated date when grading operations will begin, anticipated end date of grading operations, including dates of revegetation and estimated date of establishment of newly planted vegetation.

Mitigation Measure 4: Prior to any ground disturbance, the erosion and sediment control plan shall be reviewed by the County Planning and Building Department's Geotechnical Section to ensure that erosion control measures are appropriate for the site's bluff top location and would not contribute to further bluff erosion. Once approved, erosion and sediment control measures of the erosion control plan shall be installed prior to beginning any site work and maintained throughout the term of the grading permit until newly planted vegetation is fully established. Failure to install or maintain these measures will result in stoppage of construction until the corrections have been made and fees paid for County staff enforcement time. Revisions to the approved erosion and sediment control plan shall be prepared and signed by the engineer and reviewed by the County Planning and Building Department's Geotechnical Section, County Department of Public Works and the Community Development Director.

Mitigation Measure 5: No grading shall be allowed during the winter season (October 1 to April 30) to avoid potential soil erosion.

Mitigation Measure 6: The applicant shall adhere to the San Mateo Countywide Stormwater Pollution Prevention Program "General Construction and Site Supervision Guidelines," including, but not limited to, the following:

- a. Delineation with field markers clearing limits, easements, setbacks, sensitive or critical areas, buffer zones, trees, and drainage courses within the vicinity of areas to be disturbed by construction and/or grading.
- b. Protection of adjacent properties and undisturbed areas from construction impacts using vegetative buffer strips, sediment barriers or filters, dikes, mulching, or other measures as appropriate.
- c. Performing clearing and earth-moving activities only during dry weather.
- d. Stabilization of all denuded areas and maintenance of erosion control measures continuously between October 1 and April 30. Stabilization shall include both proactive measures, such as the placement of hay bales or coir netting, and passive measures, such as revegetating disturbed areas with plants propagated from seed collected in the immediate area.
- e. Storage, handling, and disposal of construction materials and wastes properly, so as to prevent their contact with stormwater.
- f. Control and prevention of the discharge of all potential pollutants, including pavement cutting wastes, paints, concrete, petroleum products, chemicals, wash water or sediments, and non-stormwater discharges to storm drains and watercourses.
- g. Use of sediment controls or filtration to remove sediment when dewatering site and obtain all necessary permits.
- h. Avoiding cleaning, fueling, or maintaining vehicles on-site, except in a designated area where wash water is contained and treated.
- i. Limiting and timing applications of pesticides and fertilizers to prevent polluted runoff.
- j. Limiting construction access routes and stabilization of designated access points.
- k. Avoiding tracking dirt or other materials off-site; cleaning off-site paved areas and sidewalks using dry sweeping methods.
- l. Training and providing instruction to all employees and subcontractors regarding the Watershed Protection Maintenance Standards and construction Best Management Practices.

- m. Additional Best Management Practices in addition to those shown on the plans may be required by the Building Inspector to maintain effective stormwater management during construction activities. Any water leaving the site shall be clear and running slowly at all times.

Mitigation Measure 7: It shall be the responsibility of the engineer of record to regularly inspect the erosion control measures for the duration of all grading activities, especially after major storm events, and determine that they are functioning as designed and that proper maintenance is being performed. Deficiencies shall be immediately corrected, as determined by and implemented under the observation of the engineer of record.

Mitigation Measure 8: Upon the start of grading activities and through to the completion of the project, the applicant shall be responsible for ensuring that the following dust control guidelines are implemented:

- a. All graded surfaces and materials, whether filled, excavated, transported or stockpiled, shall be wetted, protected or contained in such a manner as to prevent any significant nuisance from dust, or spillage upon adjoining water body, property, or streets. Equipment and materials on the site shall be used in such a manner as to avoid excessive dust. A dust control plan may be required at any time during the course of the project.
- b. A dust palliative shall be applied to the site when required by the County. The type and rate of application shall be recommended by the soils engineer and approved by the Department of Public Works, the Planning and Building Department's Geotechnical Engineer, and the Regional Water Quality Control Board.

Mitigation Measure 9: In order to prevent further reduction of beach user parking at the restaurant site and at the State Parks property, the applicant shall post signs at the properties with language comparable to the language provided below, with the wording, number, color and size of signs subject to the approval of the Community Development Director:

- Signage at the entrance of the State Parks property shall state that parking by restaurant visitors is prohibited at all times.
- Signage in Lot A of the restaurant property shall state that parking is only available to restaurant visitors after 5:00 p.m.
- Signage in Lot C of the restaurant property shall state that parking is only available to restaurant visitors after 5:00 p.m. and before 5:00 p.m. on Fridays and weekends only. Signage shall also caution beach visitors of increased traffic on the property on Fridays and weekends and to use designated Coastal Trail paths to cross the property.

Mitigation Measure 10: The property owner shall designate walking/bicycle paths across Lots A and C, using methods such as striping and signage, in order to reduce conflicts between pedestrians, bicyclists, and vehicle traffic. The design and alignment of these improvements shall be consistent with the recommendations of the "Highway 1 Safety and Mobility Improvement Study: Phase 2" report, dated October 2012, including but not limited to the Montara State Beach Coast and Trail Access Maps (Attachment M). A Site Circulation and Signage Plan that depicts the details of these improvements shall be submitted to the Community Development Director for review and approval, prior to the Current Planning's Section approval of any permit (e.g., grading permit or building permit) for the project. The property owner shall demonstrate implementation of improvements, as approved, prior to the Current Planning Section's final approval of the building permit.

Mitigation Measure 1110: Prior to the Current Planning Section's approval of the building permit, the applicant shall remove two of the 150-watt light fixtures which illuminate Parking Lot A, such that there is no more than three lighting fixtures on the north side of the restaurant building.

Mitigation Measure 1244: Prior to the Current Planning Section's approval of the building permit, the applicant shall replace or reposition existing light fixtures in Parking Lot C such that light is directed downward at the parking lot only, each lighting fixture does not exceed 150 watts, and the total number of lighting fixtures does not exceed three.

Mitigation Measure 1342: The applicant shall modify the lighting plan for the rear/west elevation such that lighting fixtures are positioned no higher than the ceiling height of the lower floor, each lighting fixture does not exceed 150 watts, and the number of lighting fixtures shall not exceed five. Prior to the Current Planning Section's final approval of the building permit, staff shall review the wattage of the west elevation and wattage shall be adjusted as required by staff to achieve adequate lighting for patio dining and minimization of light impacts on beach areas. Also, no temporary lighting is permitted on the property without the approval of the Community Development Director.

Mitigation Measure 1413: ~~The applicant and contractors must be prepared to carry out the requirements of California State law with regard to the discovery of human remains during construction, whether historic or prehistoric. In the event that any human remains are encountered during site disturbance, all ground disturbing work shall cease immediately and the County coroner shall be notified immediately. If the coroner determines the remains to be Native American, the Native American Heritage Commission shall be contacted within 24 hours. A qualified archaeologist, in consultation with the Native American Heritage Commission, shall recommend subsequent measures for disposition of the remains. The applicant shall comply with the following requirements relating to the avoidance of the CA-SMA-115 cultural site and discovery of archaeological remains, including human remains, during all grading and construction activity:~~

- a. Prior to the Current Planning Section's approval of the building permit application, the applicant shall demonstrate that all grading and construction will avoid the CA-SMA-115 cultural site.
- b. Prior to the issuance of the grading permit "hard card," the applicant shall demonstrate proper protection of the CA-SMA-115 cultural site for grading and construction activity. The area shall be fenced during grading and construction to assure that no inadvertent damage from equipment or personnel takes place.
- c. If archaeological remains are uncovered, work at the place of discovery should be halted immediately until a qualified archaeologist can evaluate the finds (§15064.5[f]).
- d. If human remains are encountered, excavation or disturbance of the location must be halted in the vicinity of the find, and the County Coroner contacted immediately. If the coroner determines the remains are Native American, the coroner will contact the Native American Heritage Commission within 24 hours. The Native American Heritage Commission will identify the person or persons believed to be most likely descended from the deceased Native American. The most likely descendant makes recommendations regarding the treatment of the remains with appropriate dignity.

V. MANDATORY FINDINGS OF SIGNIFICANCE

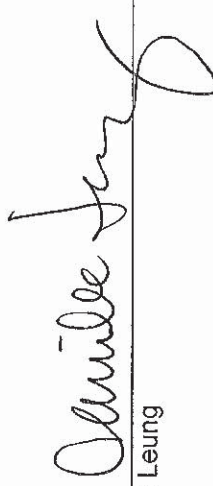
	Yes	No
1. Does the project, as mitigated, have the potential to degrade the quality of the environment, substantially reduce the habitat of a fish or wildlife species, cause a fish or wildlife population to drop below self-sustaining levels, threaten to eliminate a plant or animal, or eliminate important examples of the major periods of California history or prehistory?		X
2. Does the project, as mitigated, have the potential to achieve short-term environmental goals to the disadvantage of long-term environmental goals?		X
3. Does the project, as mitigated, have possible environmental effects which are individually limited, but cumulatively considerable?		X
4. Would the project, as mitigated, cause substantial adverse effects on human beings, either directly or indirectly?		X

On the basis of this initial evaluation:

I find the proposed project **COULD NOT** have a significant effect on the environment, and a **NEGATIVE DECLARATION** will be prepared by the Current Planning Section.

I find that although the proposed project could have a significant effect on the environment, there **WILL NOT** be a significant effect in this case because of the mitigation measures in the discussion have been included as part of the proposed project. A **NEGATIVE DECLARATION** will be prepared.

I find that the proposed project **MAY** have a significant effect on the environment, and an **ENVIRONMENTAL IMPACT REPORT** is required.


 Camille Leung

Project Planner
 (Title)

December 21, 2012 (Original Circulation Date);
 February 27, 2014 (Revision Date)
 Date

VI. SOURCE LIST

- A. Field Inspection
- B. County General Plan 1986
 - a. General Plan Chapters 1-16
 - b. Local Coastal Program (LCP) (Area Plan)
 - c. Skyline Area General Plan Amendment
 - d. Montara-Moss Beach-El Granada Community Plan
 - e. Emerald Lake Hills Community Plan
- C. County Ordinance Code
- D. Geotechnical Maps
 - 1. USGS Basic Data Contributions
 - a. #43 Landslide Susceptibility
 - b. #44 Active Faults
 - c. #45 High Water Table
 - 2. Geotechnical Hazards Synthesis Maps
- E. USGS Quadrangle Maps, San Mateo County 1970 Series (See F. and H.)
- F. San Mateo County Rare and Endangered Species Maps, or Sensitive Habitats Maps
- G. Flood Insurance Rate Map – National Flood Insurance Program
- H. County Archaeologic Resource Inventory (Prepared by S. Dietz, A.C.R.S.) Procedures for Protection of Historic and Cultural Properties – 36 CFR 800 (See R.)
- I. Project Plans or EIF
- J. Airport Land Use Committee Plans, San Mateo County Airports Plan
- K. Aerial Photography or Real Estate Atlas – REDI
 - 1. Aerial Photographs, 1941, 1953, 1956, 1960, 1963, 1970
 - 2. Aerial Photographs, 1981
 - 3. Coast Aerial Photos/Slides, San Francisco County Line to Año Nuevo Point, 1971
 - 4. Historic Photos, 1928-1937

- L. Williamson Act Maps
- M. Soil Survey, San Mateo Area, U.S. Department of Agriculture, May 1961
- N. Air Pollution Isopleth Maps – Bay Area Air Pollution Control District
- O. California Natural Areas Coordinating Council Maps (See F. and H.)
- P. Forest Resources Study (1971)
- Q. Experience with Other Projects of this Size and Nature
- R. Environmental Regulations and Standards:
 - Federal
 - Review Procedures for CDBG Programs 24 CFR Part 58
 - NEPA 24 CFR 1500-1508
 - Protection of Historic and Cultural Properties 36 CFR Part 800
 - National Register of Historic Places
 - Floodplain Management Executive Order 11988
 - Protection of Wetlands Executive Order 11990
 - Endangered and Threatened Species
 - Noise Abatement and Control 24 CFR Part 51B
 - Explosive and Flammable Operations 24 CFR 51C
 - Toxic Chemicals/Radioactive Materials HUD 79-33
 - Airport Clear Zones and APZ 24 CFR 51D
 - State
 - Ambient Air Quality Standards Article 4, Section 1092
 - Noise Insulation Standards
- S. Consultation with Departments and Agencies:
 - a. County Health Department
 - b. City Fire Department
 - c. California Department of Forestry
 - d. Department of Public Works
 - e. Disaster Preparedness Office
 - f. Other

COUNTY OF SAN MATEO
Planning and Building Department

REVISED (February 27, 2014)
Initial Study Pursuant to CEQA
Project Narrative and Answers to Questions for the Negative Declaration
File Number: PLN 2006-00494
La Costanera Use Permit Amendment
(revisions shown in underline and strike through format)

PROJECT DESCRIPTION

The La Costanera Restaurant site consists of an 11,332 sq. ft. restaurant and two on-site parking lots, Lots A and C, containing a total of 52 parking spaces. The applicant, Farhad Mortazavi, requests the following:

1. ~~a~~ A Design Review Permit and to amend its existing Use Permit Amendment for the continued and expanded operation of the La Costanera Restaurant:
 - Expanded Hours of Operation: The existing Use Permit (UP 20-77), originally issued for the Charthouse restaurant in the same location, restricts the hours of operation to “5:00 p.m. to closing time.” The applicant proposes to expand the hours of operation to 10:00 a.m. to 2:00 a.m. (brunch, lunch and dinner service), where brunch and lunch seating will be limited to Fridays and weekends only and a total of 93 seats. The applicant also proposes to re-stripe Lots A and C to accommodate 33 parking spaces in Lot A and 25 spaces in Lot C, for a total of 58 parking spaces (where 52 spaces currently exist). For brunch and lunch, the applicant proposes to provide all parking in Lot C with valet-only parking available, whereby parking for 31 cars could be accommodated.
 - Legalization of Minor Modifications to the Restaurant Structure: Legalize improvements to the property that were not authorized by the previous Use Permit, including lighting added to the building (nine rooftop lights) and the construction of two outdoor patios (e.g., tiles and railings).

And

2. A Grading Permit and a Planned Agricultural Development Permit for the Formalization of Historical Parking Uses by Beach Users at an on Adjjoining property Owned by the State of California Department of Parks and Recreation (State Parks). The applicant proposes to perform access, drainage, and landscaping improvements, involving 250-246 cubic yards (c.y.) of fill placement and 5 c.y. of excavation, to facilitate its use as a 21-space, gravel surface parking lot (Lot B) for beach user access anytime. State Parks has authorized the use under a signed Letter of Intent. The property owner of 8150 Cabrillo Highway proposes to maintain access, drainage, and landscaping improvements for the life of the project.

State Permit Required: The applicant has applied for an Amendment to Coastal Development Permit (CDP P-77-579) ~~Amendment~~ from the California Coastal Commission (CCC) for the project described above, as well as for the repair of existing drainage systems

REVISED ANSWERS TO QUESTIONS

File No. PLN 2006-00494

Page 2

and riprap at the restaurant and State properties. The CDP Amendment for the project will be processed by the CCC separately from the Use Permit requested from the County. Until the CDP Amendment is granted, the Use Permit amendment would be considered inactive. ~~While the repair of drainage systems and riprap is not a part of the project being reviewed by the County, this work is included in this Mitigated Negative Declaration.~~

SCOPE OF THIS DOCUMENT

This Initial Study and Negative Declaration addresses the potential environmental impacts of the proposed expansion in operating hours, installation of exterior lights and signs, and grading and drainage of the formalized parking area. These impacts, as well the potential additional environmental impacts caused by elements of the project that are outside of the County's jurisdiction (i.e., repairs to the riprap revetment), will also be considered during the Coastal Commission's consideration of the required Coastal Development Permit Amendment.

SITE DESCRIPTION

The La Costanera Restaurant is located on a 0.73-acre (31,721 sq. ft.) site on the west side of Cabrillo Highway. The site consists of an 11,332 sq. ft. restaurant and two on-site parking lots, Lots A and C, containing a total of 52 parking spaces. The project also involves access, drainage, and landscaping improvements on an adjoining, undeveloped ~~0.41-acre (17,859 sq. ft.) parcel~~ property, located to the north of the restaurant property, owned by the State of California Department of Parks and Recreation. A roughly 20-foot high cliff on the west side of the property separates the restaurant building and the parking areas from the sandy beach and Pacific Ocean. ~~Both properties are~~ The project site is located along the Cabrillo Highway County-Designated Scenic Route.

ANSWERS TO QUESTIONS

1. LAND SUITABILITY AND GEOLOGY

- a. **Will (or could) this project involve a unique landform or biological area, such as beaches, sand dunes, marshes, tidelands, or San Francisco Bay?**

Yes, Not Significant. A roughly 20-foot high cliff bluff on the west side of the property separates the restaurant building and the parking areas from the sandy beach and the Pacific Ocean. The project includes drainage improvements at a historical parking lot that would direct drainage in such a manner as to minimize risk of bluff erosion. It should be noted that ~~the applicant has applied for an Amendment to Coastal Development Permit P-77-579 from the California Coastal Commission for repair of existing drainage systems along the bluff of both properties, including repair or of riprap and existing pipe lines. Proposed repair, as recommended by project geotechnical reports (included as Attachment B) and as described in Grading and Drainage Plans (Attachment C) that would help to further protect the bluff from drainage-related erosion. No mitigation measures are necessary.~~

REVISED ANSWERS TO QUESTIONS

File No. PLN 2006-00494

Page 3

c. Will (or could) this project be located in an area of soil instability (subsidence, landslide or severe erosion)?

Yes, Significant Unless Mitigated. Due to the location of the properties along an ocean bluff, the bluff portion of the properties are subject to erosion from both wave action and from bluff-top surface drainage flows. ~~The applicant has applied for a Coastal Development Permit from the California Coastal Commission for repair of existing drainage systems along the bluff of both properties, including repair or riprap and existing pipe lines. Proposed repair, as recommended by project geotechnical reports (included as Attachment B) and as described in Grading and Drainage Plans (Attachment C) will help to protect the bluff from drainage-related erosion. Mitigation Measure 1 has been added to ensure that the recommendations of the project geotechnical reports are implemented.~~

The applicant also proposes to perform access, drainage, and landscaping improvements on the State property, involving ~~250~~ 246 cubic yards (c.y.) of fill placement and 5 c.y. of excavation, to facilitate its use as a 21-space, gravel surface parking lot (Lot B) for beach user access anytime. Currently, the State property is drained naturally, with riprap at the foot of the bluff. ~~Should the~~ As the parking lot would result in 5,000 sq. ft. or more of impervious surface (e.g., if the dirt lot is compacted to 95% compaction, then the lot would be considered impervious), then project is required to comply with Provision C.3 of the NPDES Municipal Regional Permit ~~would~~ which requires treatment of all project-related stormwater. Mitigation Measure 2 has been added to ensure compliance with Provision C.3 and to ensure that stormwater treatment, ~~if required~~, has been reviewed by the project geotechnical consultant.

It should be noted that ~~the~~ applicant has applied for an Amendment to Coastal Development Permit P-77-579 from the California Coastal Commission for repair of riprap and existing pipe lines that would further protect the bluff from drainage-related erosion.

Mitigation Measure 1: Prior to the County Geotechnical Section's approval of the building permit for the project, the applicant shall demonstrate project conformance with the recommendations of the project soils reports (Geotechnical Engineering Consultation, Poor Drainage and Riprap Erosion, La Costanera Restaurant, 8150 Cabrillo Highway, Montara, California, BAGG Engineers, February 9, 2010, and Geotechnical Engineering Consultation, Unpaved Parking Lot, La Costanera Restaurant, 8150 Cabrillo Highway, Montara, California, BAGG Engineers, October 27, 2011, and Update of Geotechnical Consultation Report, dated October 27, 2011, Unpaved Parking Lot La Costanera Restaurant, 8150 Cabrillo Highway, Montara, California, BAGG Engineers, dated January 3, 2013), to the satisfaction of the County Planning and Building Department's Geotechnical Section.

REVISED ANSWERS TO QUESTIONS

File No. PLN 2006-00494

Page 4

Mitigation Measure 2: ~~Should~~As the parking lot ~~would~~ result in 5,000 sq. ft. or more of impervious surface (e.g., if the dirt lot is compacted to 95% compaction, then the lot would be considered impervious), the project shall comply with Provision C.3 of the NPDES Municipal Regional Permit stormwater treatment requirements and stormwater treatment plans shall be submitted to the County prior to project approval. Stormwater treatment facilities, ~~if required~~, shall be reviewed by the project geotechnical consultant.

f. Will (or could) this project cause erosion or siltation?

Yes, Significant Unless Mitigated. The applicant proposes to perform access, drainage, and landscaping improvements, involving ~~250~~ 246 cubic yards (c.y.) of fill placement and 5 c.y. of excavation, ~~to an on adjoining 0.41-acre (17,859 sq. ft.) parcel~~ property owned by the State of California Department of Parks and Recreation (State Parks) to facilitate its use as a 21-space, gravel surface parking lot (Lot B) for beach user access anytime. Proposed ~~repair~~ grading activities ~~of existing drainage systems along the bluff of both properties~~ may also result in a minor amount of erosion and siltation.

If there should be any precipitation during grading activities, there is the potential for sedimentation to on- and off-site areas downslope from the project area. While the potential is low, siltation from the project site could impact areas of Highway 1, Montara State Beach, and the Pacific Ocean. The applicant proposes an erosion control plan, included as Attachment D, which includes measures that would contain and slow grading-related runoff flows and direct flows to stabilized areas of the site. Mitigation Measure 3 has been included to require monthly inspections (at minimum) by the building inspector during the wet season are required to confirm adequate erosion and sediment control. Mitigation Measure 4 has been included to require geotechnical review of proposed erosion and sediment control plan. Mitigation Measure 5 has been included to restrict project grading to the dry season. Mitigation Measure 6 requires the implementation of standard best management practices to prevent construction-related stormwater pollution. Mitigation Measure 7 requires monitoring of erosion control measures by the project civil engineer. Mitigation Measure 8 requires compliance with dust control guidelines.

Mitigation Measure 3: Prior to any ground disturbance, the applicant shall apply for a building permit. Monthly inspections (at minimum) by the building inspector during the wet season are required to confirm adequate erosion and sediment control. At the time of building permit application, the applicant shall provide the estimated date when grading operations will begin, anticipated end date of grading operations, including dates of revegetation and estimated date of establishment of newly planted vegetation.

REVISED ANSWERS TO QUESTIONS

File No. PLN 2006-00494

Page 5

Mitigation Measure 4: Prior to any ground disturbance, the erosion and sediment control plan shall be reviewed by the County Planning and Building Department's Geotechnical Section to ensure that erosion control measures are appropriate for the site's bluff top location and would not contribute to further bluff erosion. Once approved, erosion and sediment control measures of the erosion control plan shall be installed prior to beginning any site work and maintained throughout the term of the grading permit until newly planted vegetation is fully established. Failure to install or maintain these measures will result in stoppage of construction until the corrections have been made and fees paid for County staff enforcement time. Revisions to the approved erosion and sediment control plan shall be prepared and signed by the engineer and reviewed by the County Planning and Building Department's Geotechnical Section, County Department of Public Works and the Community Development Director.

Mitigation Measure 5: No grading shall be allowed during the winter season (October 1 to April 30) to avoid potential soil erosion.

Mitigation Measure 6: The applicant shall adhere to the San Mateo Countywide Stormwater Pollution Prevention Program "General Construction and Site Supervision Guidelines," including, but not limited to, the following:

- a. Delineation with field markers clearing limits, easements, setbacks, sensitive or critical areas, buffer zones, trees, and drainage courses within the vicinity of areas to be disturbed by construction and/or grading.
- b. Protection of adjacent properties and undisturbed areas from construction impacts using vegetative buffer strips, sediment barriers or filters, dikes, mulching, or other measures as appropriate.
- c. Performing clearing and earth-moving activities only during dry weather.
- d. Stabilization of all denuded areas and maintenance of erosion control measures continuously between October 1 and April 30. Stabilization shall include both proactive measures, such as the placement of hay bales or coir netting, and passive measures, such as revegetating disturbed areas with plants propagated from seed collected in the immediate area.
- e. Storage, handling, and disposal of construction materials and wastes properly, so as to prevent their contact with stormwater.
- f. Control and prevention of the discharge of all potential pollutants, including pavement cutting wastes, paints, concrete, petroleum products, chemicals, wash water or sediments, and non-stormwater discharges to storm drains and watercourses.

REVISED ANSWERS TO QUESTIONS

File No. PLN 2006-00494

Page 6

- g. Use of sediment controls or filtration to remove sediment when dewatering site and obtain all necessary permits.
- h. Avoiding cleaning, fueling, or maintaining vehicles on-site, except in a designated area where wash water is contained and treated.
- i. Limiting and timing applications of pesticides and fertilizers to prevent polluted runoff.
- j. Limiting construction access routes and stabilization of designated access points.
- k. Avoiding tracking dirt or other materials off-site; cleaning off-site paved areas and sidewalks using dry sweeping methods.
- l. Training and providing instruction to all employees and subcontractors regarding the Watershed Protection Maintenance Standards and construction Best Management Practices.
- m. Additional Best Management Practices in addition to those shown on the plans may be required by the Building Inspector to maintain effective stormwater management during construction activities. Any water leaving the site shall be clear and running slowly at all times.

Mitigation Measure 7: It shall be the responsibility of the engineer of record to regularly inspect the erosion control measures for the duration of all grading activities, especially after major storm events, and determine that they are functioning as designed and that proper maintenance is being performed. Deficiencies shall be immediately corrected, as determined by and implemented under the observation of the engineer of record.

Mitigation Measure 8: Upon the start of grading activities and through to the completion of the project, the applicant shall be responsible for ensuring that the following dust control guidelines are implemented:

- a. All graded surfaces and materials, whether filled, excavated, transported or stockpiled, shall be wetted, protected or contained in such a manner as to prevent any significant nuisance from dust, or spillage upon adjoining water body, property, or streets. Equipment and materials on the site shall be used in such a manner as to avoid excessive dust. A dust control plan may be required at any time during the course of the project.
- b. A dust palliative shall be applied to the site when required by the County. The type and rate of application shall be recommended by the soils engineer and approved by the Department of Public Works, the Planning

REVISED ANSWERS TO QUESTIONS

File No. PLN 2006-00494

Page 7

and Building Department's Geotechnical Engineer, and the Regional Water Quality Control Board.

2. VEGETATION AND WILDLIFE

- g. Will (or could) this project involve clearing land that is 5,000 sq. ft. or greater (1,000 sq. ft. within a County Scenic Corridor), that has slopes greater than 20% or that is in a sensitive habitat or buffer zone?**

Yes, Not Significant. Project sites are located along the Cabrillo Highway County-Designated Scenic Route. The properties are relatively flat, with the exception of the 20-foot high cliff bluff on the west side of the property which separates properties from the sandy beach and the Pacific Ocean.

Areas of proposed land disturbance will occur in disturbed areas (in areas of existing ~~historical informal parking, drainage systems and riprap~~). ~~Minor grading and gravelling of the State-owned parcel will occur in disturbed, undeveloped areas.~~ The applicant proposes to perform access and landscaping improvements, involving ~~250~~ 246 cubic yards (c.y.) of fill placement and 5 c.y. of excavation, to the 0.41-acre State parcel to formalize its historical use as a parking lot (Lot B). According to the "Vegetation Map" prepared by TRA Environmental Sciences, Inc., no habitat for special status species was found during TRA's August 2012 site visit. Vegetation at the State site consists mainly of ice plants. No mitigation measures are necessary.

3. PHYSICAL RESOURCES

- b. Will (or could) this project involve grading in excess of 150 cubic yards?**

Yes, Significant Unless Mitigated. The project will involve placement of approximately ~~250~~ 246 c.y. of fill and 5 c.y. of excavation on the State property to facilitate its use as a 21-space, gravel surface parking lot (Lot B). Potential impact resulting from proposed grading is discussed in Section 1.f. above. No additional mitigation measures are needed.

4. AIR QUALITY, WATER QUALITY, SONIC

- a. Will (or could) this project generate pollutants (hydrocarbon, thermal odor, dust or smoke particulates, radiation, etc.) that will violate existing standards of air quality on-site or in the surrounding area?**

Yes, Significant Unless Mitigated. The project will involve placement of approximately ~~250~~ 246 c.y. of fill and 5 c.y. of excavation on the State property to facilitate its use as a 21-space, gravel surface parking lot (Lot B). Grading activities may generate dust. While the potential is low, erosion from the project site could impact areas of Highway 1, Montara State Beach, and the Pacific

REVISED ANSWERS TO QUESTIONS

File No. PLN 2006-00494

Page 8

Ocean. Potential impacts related to dust and sedimentation from project grading and construction is discussed in Section 1.f., above. No additional mitigation measures are needed.

- f. **Will (or could) this project generate noise levels in excess of levels determined appropriate according to the County Noise Ordinance standard?**

Yes, Not Significant. The project will result in the addition of brunch and lunchtime service on Fridays and weekends for up to 93 persons for an existing restaurant which currently provides dinnertime only service for up to 189 persons. The project will introduce minor restaurant-associated noise during the daytime when the site has been quiet in the past. However, there are no sensitive noise receptors in the immediate area. Beach users will be buffered from the minor amounts of noise by the 20-foot high cliff bluff on the west side of the property, which separates the restaurant building from the beach and ocean.

In addition, the proposed grading activities may temporarily generate noise levels that are greater than the ambient noise levels in the project area. However, the County of San Mateo Ordinance Code restricts project noise levels to the 80-dBA level at any one moment. The Code also limits grading activities which generate noise levels that are greater than the ambient noise levels in the project area to the hours from 7:00 a.m. to 6:00 p.m., Monday through Friday, and 9:00 a.m. to 5:00 p.m. on Saturdays. Noise-generating grading activities shall not occur at any time on Sundays, Thanksgiving and Christmas. Assuming compliance with existing regulations, the project is not expected to generate noise levels in excess of levels determined appropriate according to the County Noise Ordinance standard. No mitigation measures are needed.

- g. **Will (or could) this project generate polluted or increased surface water runoff or affect groundwater resources?**

Yes, Significant Unless Mitigated. Project grading may result in erosion and sedimentation in downslope areas. Please see discussion and mitigation measures in Section 1.f. of this report for a discussion of the potential for project-related erosion and sedimentation. No additional mitigation measures are needed.

5. **TRANSPORTATION**

- a. **Will (or could) this project affect access to commercial establishments, schools, parks, etc.?**

Yes, Significant Unless Mitigated. As described in the answer to Question 5.c., below, as mitigated, potential project impact to vehicular traffic patterns or volumes ~~is considered~~ would be reduced to a less than significant level.

REVISED ANSWERS TO QUESTIONS

File No. PLN 2006-00494

Page 9

Therefore, the project, as mitigated, would not result in significant traffic-related access impacts to establishments in the area.

As described in the answer to Question 6.f., below, the project will not result in the hiring of a significant number of additional full-time employees and, therefore, will not adversely affect the capacity of any public facilities, including schools and parks.

The project will result in minor changes to the restaurant parking lots (Lots A and C) that will improve access through re-striping, introduction of three accessible (handicapped) parking spaces, and parking lot lighting. Project implementation will increase on-site restaurant parking from 52 spaces to 58 parking spaces through re-striping to create more parking spaces, including compact and accessible (handicapped) parking. During brunch and lunchtime on Fridays and weekends, a total of 64 parking spaces would be available under a valet scenario.

The project involves the formalization of historical parking uses by beach users at the State Property, which involves access and landscaping improvements at the property. Proposed leveling and gravelling of the State lot will improve user access to the beach by making parking at the property easier. Also, the project will result in the creation of one accessible (handicapped) parking space on the State Parks property. The project would improve access to and within the parking lot, but result in a minor reduction in the amount of parking available to beach users in the daytime.

Calculation of Parking Available for Beach Users

The adjoining State property has been used historically for parking by users of Montara State Beach and can accommodate up to 20 vehicles, albeit informally with capacity varying based on random parking patterns.¹ Parking at the site is not an approved use, nor has the bluff property been improved to accommodate such a use. Therefore, based on the reasons provided, staff credits the State lot with 10 existing parking spaces. Combined with the parking at the restaurant site, total existing beach user parking before 5:00 p.m. is 63 parking spaces. After 5:00 p.m., total existing beach user parking is 10 parking spaces, as no beach user parking is available at the restaurant site and, therefore, all parking is limited to the State Parks site.

¹ Historical capacity of informal parking at the State property obtained through aerial views provided by Google Maps.

REVISED ANSWERS TO QUESTIONS

File No. PLN 2006-00494

Page 10

<i>Table 1 Existing and Proposed Parking for Restaurant and Beach Users</i>		
	Parking Available for Beach Users	
	Daytime: Before 5:00 p.m.	After 5:00 p.m.
Existing		
Parking at Restaurant in Lot A	33	0
Parking at Restaurant in Lot C	20	0
Parking in State Parks Lot B	10*	10
(E) TOTAL	63	10
Proposed		
Parking at Restaurant in Lot A	33	0
Parking at Restaurant in Lot C (Fridays and Weekends only)	0	0
Parking at Restaurant in Lot C (Mondays through Thursdays)	25	0
Parking in State Parks Lot B	21	21
(P) TOTAL (Fridays and Weekends only)	54	21
(P) TOTAL (Mondays through Thursdays)	79	21
DIFFERENCE (Fridays and Weekends only)	-9	+11
DIFFERENCE (Mondays through Thursdays)	+16	+11
*The State lot is credited 10 of a total possible 20 parking spaces, as the use is current parking use is informal and unpermitted and the lot is has not been improved to accommodate the use.		

As shown in Table 1, above, formalization of parking at the State Parks property will increase parking available to beach users at the site from 10 spaces, to 21 parking spaces. However, with the introduction of brunch and lunch service on Fridays and weekends, total parking available for beach users at both properties will decrease by nine spaces with the loss of parking spaces in Lot C. However, on Mondays through Thursdays, parking available to beach users will increase from 63 to 79 parking spaces. In order to prevent further reduction of beach user parking, Mitigation Measure 9 has been added to ensure beach user access to restaurant parking lots on Mondays through Thursdays and to prohibit use of the State Parks property for restaurant parking.

After 5:00 p.m., there will be an increase of 11 parking spaces available for beach users at both properties. While project implementation will result in a decrease of nine spaces of beach user parking available at both properties before 5:00 p.m. on Fridays and weekends, the project will result in increased daytime parking on Mondays through Thursdays and nighttime beach user parking, as well as other benefits, such as access and landscaping improvements on the State property that will improve beach user safety and environmental stewardship of the property. Specifically, proposed landscaping will act as a buffer strip to prohibit parking along the ocean bluff, thereby helping to prevent further erosion of the bluff.

REVISED ANSWERS TO QUESTIONS

File No. PLN 2006-00494

Page 11

Parking Available to Beach Users in the Project Area

It should be noted that the County has completed a report titled “Highway 1 Safety and Mobility Improvement Study: Phase 2, San Mateo County Midcoast, Montara, Moss Beach,”² dated October 2012, which studies and provides recommendations for improving motor vehicle, pedestrian, and bicycle safety for Highway 1 and its surroundings between Half Moon Bay Airport and the Devils Slide area, including areas surrounding Montara State Beach. The study recommends the following motor vehicle, pedestrian, and bicycle safety improvements within the project area:

- Separate parking facilities on either side of the highway.
- Optional formalized parallel beach parking on west side of highway with one-way access lane.
- Parking lot and Rancho Corral de Tierra access approximately 800 feet or 15/mile east of the highway.
- Highway crossing at proposed Coastal Trail alignment.
- Rancho Corral de Tierra parking could operate as an overflow facility for beach parking.

The study identifies the need for more formalized parking areas for beach users to address safety concerns related to unsafe and informal pedestrian crossings of Highway 1, illegal parking by beach users, and anticipated increased visitation to Rancho Corral de Tierra.³

The project traffic report conducted on a Friday and Saturday in November 2012 notes that, based on field observations, there was plenty of parking available within the two restaurant parking lots and the State property, as well as another public lot located just south of Lot C (which provides additional beach parking for about 10 cars), during the brunch and lunchtime period.

Based on the small number and limited timeframe for which parking is reduced to beach users at the restaurant site, proposed access improvements at the State Parks site, the findings of the project traffic report, and ongoing planning and

² The “Highway 1 Safety and Mobility Improvement Study: Phase 2, San Mateo County Midcoast, Montara, Moss Beach” may be accessed at http://www.co.sanmateo.ca.us/Attachments/planning/PDFs/Midcoast%20Mobility/SMM_Ph_2_Study_Final_LR.pdf

³ The National Park Service recently assumed management of the approximately 4,000 acre Rancho Corral de Tierra parcel as part of the Golden Gate National Recreation Area (GGNRA) and may improve facilities.

REVISED ANSWERS TO QUESTIONS

File No. PLN 2006-00494

Page 12

coordination efforts between the County and State agencies to fund implementation of study recommendations, potential project impacts to access of the on-site restaurant, Montara State Beach, and public facilities in the area are considered less than significant, with the implementation of the following mitigation measure:

Mitigation Measure 9: In order to prevent further reduction of beach user parking at the restaurant site and at the State Parks property, the applicant shall post signs at the properties with language comparable to the language provided below, with the wording, number, color and size of signs subject to the approval of the Community Development Director:

- Signage at the entrance of the State Parks property shall state that parking by restaurant visitors is prohibited at all times.
- Signage in Lot A of the restaurant property shall state that parking is only available to restaurant visitors after 5:00 p.m.
- Signage in Lot C of the restaurant property shall state that parking is only available to restaurant visitors after 5:00 p.m. and before 5:00 p.m. on Fridays and weekends only. Signage shall also caution beach visitors of increased traffic on the property on Fridays and weekends and to use designated Coastal Trail paths to cross the property.

Compliance with this mitigation measure shall be demonstrated prior to the Current Planning Section's approval of the associated building permit.

b. Will (or could) this project cause noticeable increase in pedestrian traffic or a change in pedestrian patterns?

Yes, Not Significant Unless Mitigated. ~~As described in the answer to Question 5.c., below, potential project impact to vehicular traffic patterns or volumes is considered less than significant. Therefore, additional project related, lunchtime traffic is not likely to significantly impact existing pedestrian patterns. Additionally, existing pedestrian traffic to the restaurant is not anticipated to increase as t~~The project traffic report has found that the project includes an adequate amount of on-site parking to serve lunchtime customers, reducing the need for restaurant visitors to park in off-site locations and walk to the restaurant. However, the expansion in hours will result in more frequent and earlier use of Lot C by restaurant customers, and create a new destination for pedestrians and bicyclists from nearby residential areas. This will increase the frequency of interactions between customers and beach users, using all forms of transportation, during Friday and weekend brunch and lunchtime hours.

Regarding changes to pedestrian traffic to Montara State Beach, the decrease of nine spaces of beach user parking available at both properties before 5:00 p.m. on Fridays and weekends may result in a minimal increase in pedestrian traffic,

REVISED ANSWERS TO QUESTIONS

File No. PLN 2006-00494

Page 13

as some beach users may decide to park on the east side of Highway 1 and walk across Highway 1 to access the beach. As noted previously, pedestrian safety across Highway 1 was studied in “Highway 1 Safety and Mobility Improvement Study: Phase 2, San Mateo County Midcoast, Montara, Moss Beach,”⁴ dated October 2012. ~~It should be noted that on Mondays through Thursdays, parking available to beach users will increase from 63 to 79 parking spaces. Based on the small number and limited timeframe for which parking is reduced to beach users at the restaurant site and corresponding potential minimal increase in pedestrian traffic, the impact to pedestrian traffic does not require mitigation.~~

Mitigation Measure 10 requires the property owner to designate walking/bicycle paths across the driveways of Lots A and C, using methods such as striping and signage, in order to reduce conflicts between pedestrians, bicyclists, and vehicle traffic. The design and alignment of these improvements shall be consistent with the recommendations of the “Highway 1 Safety and Mobility Improvement Study: Phase 2” report, including but not limited to the Montara State Beach Coast and Trail Access Maps (Attachment M). It should be noted that the Coastal Trail runs along Cabrillo Highway and does not cross through Lot B, nor would Lot B be directly accessible from Cabrillo Highway.

Mitigation Measure 10: The property owner shall designate walking/bicycle paths across Lots A and C, using methods such as striping and signage, in order to reduce conflicts between pedestrians, bicyclists, and vehicle traffic. The design and alignment of these improvements shall be consistent with the recommendations of the “Highway 1 Safety and Mobility Improvement Study: Phase 2” report, dated October 2012, including but not limited to the Montara State Beach Coast and Trail Access Maps (Attachment M). A Site Circulation and Signage Plan that depicts the details of these improvements shall be submitted to the Community Development Director for review and approval, prior to the Current Planning’s Section approval of any permit (e.g., grading permit or building permit) for the project. The property owner shall demonstrate implementation of improvements, as approved, prior to the Current Planning Section’s final approval of the building permit.

- c. **Will (or could) this project result in noticeable changes in vehicular traffic patterns or volumes (including bicycles)?**

Yes, Not Significant Unless Mitigated. A report titled “Traffic and Parking Study for La Costanera Restaurant” (project traffic report), dated December 10, 2012, has been prepared by Hexagon Transportation Consultants, Inc., for the project. The report estimates that the addition of lunch service at the La

⁴ The “Highway 1 Safety and Mobility Improvement Study: Phase 2, San Mateo County Midcoast, Montara, Moss Beach” may be accessed at http://www.co.sanmateo.ca.us/Attachments/planning/PDFs/Midcoast%20Mobility/SMM_Ph_2_Study_Final_LR.pdf

REVISED ANSWERS TO QUESTIONS

File No. PLN 2006-00494

Page 14

Costanera Restaurant, with 93 seats, would generate 19 trips during the peak one-hour lunchtime period of the day on a typical Friday or Saturday. Based on tube counts, northbound and southbound traffic on Highway 1 is split relatively evenly during lunchtime. Thus, it is reasonable to assume a 50/50 north/south trip distribution pattern for the project-generated trips.

Hexagon compared the restaurant trip generation to the amount of traffic already on Highway 1 at lunchtime. Based on the projected trip distribution pattern, it is estimated that nine project trips (five inbound and four outbound trips) would be added to Highway 1 north of the restaurant, and 10 project trips (six inbound and four outbound trips) would be added to Highway 1 south of the restaurant. The traffic volumes on Highway 1 during the typical peak one hour lunchtime period (between 12:00 and 1:00 PM) are approximately 350 vehicles in the northbound direction and about 250 vehicles in the southbound direction. The capacity of Highway 1 can be assumed to be about 900 vehicles per hour per lane. Thus, it can be concluded that Highway 1 has adequate capacity to accommodate additional trips generated by the restaurant at lunchtime.

Also, potential project-generated impacts to State Route 92 (SR 92) were evaluated. Of the trips that would be added to Highway 1 south of the restaurant, only a fraction of them would be expected to travel to and from SR 92. Therefore, based on the small number of trips generated by La Costanera Restaurant at lunchtime and the distance (almost 8 miles) between the restaurant and SR 92, the number of trips added to SR 92 would be negligible.

The project may result in a minimal increase in bicycle traffic in the project area, which is not anticipated to significantly affect existing bicycle traffic patterns. As noted previously, bicycle safety in the area was studied in "Highway 1 Safety and Mobility Improvement Study: Phase 2, San Mateo County Midcoast, Montara, Moss Beach,"⁵ dated October 2012, and planning efforts to encourage the implementation of study recommendations are ongoing. ~~No mitigation measures are necessary.~~

Vehicle patterns at the project site would also change from current patterns due to increased vehicle traffic as described above, the minor reduction in beach user parking, and due to the proposed valet parking system in Lot C that would accommodate 31 cars where 25 parking spaces exist. The change in vehicle patterns may increase the frequency of interactions among pedestrians, bicyclists and vehicles. Mitigation Measure 10, which requires the property owner to designate walking/bicycle paths across Lots A and C, using methods such as striping and signage, in order to reduce conflicts between pedestrians,

⁵ The "Highway 1 Safety and Mobility Improvement Study: Phase 2, San Mateo County Midcoast, Montara, Moss Beach" may be accessed at http://www.co.sanmateo.ca.us/Attachments/planning/PDFs/Midcoast%20Mobility/SMM_Ph_2_Study_Final_LR.pdf

REVISED ANSWERS TO QUESTIONS

File No. PLN 2006-00494

Page 15

bicyclists, and vehicle traffic, would reduce project impacts from changes in vehicular traffic patterns or volumes to a less than significant level. No additional mitigation measures required.

e. Will (or could) this project result in or increase traffic hazards?

Yes, Not Significant. The project traffic report includes the results of gap analysis and analysis of Sight Distance at the Project Driveways, also provided below.

Gap Analysis

Traffic gaps at a driveway occur when there is a break in traffic sufficient for drivers to exit or enter the driveway. Larger gaps in traffic are necessary for a left turn out of a driveway, since this movement usually requires gaps in traffic in both directions of travel. If there are insufficient gaps or traffic to turn into or out of a driveway, vehicle delays will occur.

Hexagon observed traffic operations at the driveways on either side of the restaurant at lunchtime on a Friday and Saturday. Gap counts also were conducted on Highway 1 to determine whether there are sufficient gaps in Highway 1 traffic for restaurant trips to get into and out of the site without undue delay or queuing. While most drivers require less than a 10-second gap in traffic to turn left into a driveway on Highway 1, most drivers require a gap of 10 seconds or more to turn left out of a driveway on Highway 1. Based on the count data, there were 31 gaps in traffic on Highway 1 of 10 seconds or more between 12:00 and 1:00 p.m. on Friday, and 53 gaps in traffic on Highway 1 of 10 seconds or more between 12:00 and 1:00 p.m. Saturday. Many of the gaps were long enough to allow multiple cars to turn left. The wait time to turn left into or out of the site would not be excessive. Based on the project trip generation estimates, it is estimated that only six trips would turn left into the project driveway and four trips would turn left out of the project driveway.

Thus, it can be concluded that sufficient gaps in traffic exist on Highway 1 to accommodate the restaurant generated inbound and outbound trips that would occur during the lunchtime period of the day.

Sight Distance at the Project Driveways

Providing the appropriate sight distance reduces the likelihood of a collision at an intersection or driveway. Sight distance generally should be provided in accordance with CalTrans standards. The minimum acceptable sight distance is often considered the CalTrans stopping sight distance. Sight distance requirements vary depending on the roadway speeds. For a driveway serving La Costanera Restaurant on Highway 1, which has a posted speed limit of 45 mph, the CalTrans stopping sight distance is 430 feet (based on a design

REVISED ANSWERS TO QUESTIONS

File No. PLN 2006-00494

Page 16

speed of 50 mph). Thus, a driver must be able to see 430 feet down Highway 1 in order to stop and avoid a collision. The parking lot driveways near the restaurant currently meet the standards.

No mitigation measures are necessary.

- g. Will (or could) this project generate traffic which will adversely affect the traffic carrying capacity of any roadway?**

Yes, Not Significant. As described in the answer to Question 5.c., above, potential project impact to vehicular traffic volumes is considered less than significant. The project traffic report has found that Highway 1 has adequate capacity to accommodate additional trips generated by the restaurant at lunchtime. Additionally, it finds that, based on the small number of trips generated by La Costanera Restaurant at lunchtime and the distance (almost 8 miles) between the restaurant and SR 92, the number of trips added to SR 92 would be negligible. No mitigation measures are necessary.

6. LAND USE AND GENERAL PLANS

- a. Will (or could) this project result in the congregating of more than 50 people on a regular basis?**

Yes, Not Significant. The project will result in the addition of brunch and lunchtime service for up to 93 persons on Fridays and weekends for an existing restaurant which currently provides dinnertime only service for up to 189 persons. As the existing restaurant already accommodates more than 50 people during the dinnertime, the addition of brunch and lunchtime service at the same site would not result in significant impacts related to the congregating of more than 50 persons at the restaurant site.

The project also involves the formalization of historical parking uses for up to 21 cars at the State Parks property. It is possible, although unlikely, that 50 persons could occupy the site at one time. However, the site has been used historically for beach user parking and is not likely to result in new significant impacts related to the congregating of more than 50 persons at the project sites. Instead, as discussed in Section 5.a. of this report, above, access and landscaping improvements at the property will improve user safety and environmental stewardship of the property.

The potential environmental impacts of the proposed intensification of the existing restaurant use and formalization of the parking use at the State Parks property is discussed in other sections of this report. No mitigation measures are necessary.

REVISED ANSWERS TO QUESTIONS

File No. PLN 2006-00494

Page 17

- d. **Will (or could) this project result in any changes in land use, either on or off the project site?**

Yes, Not Significant. As discussed in Section 6.a., above, the project will result in the addition of brunch and lunchtime service for up to 93 persons on Fridays and weekends to an existing restaurant which currently provides dinnertime only service for up to 189 persons. As the existing restaurant already accommodates a higher level of use during the dinnertime, the addition of brunch and lunchtime service would not result in a significant change to land use. The potential environmental impacts of the proposed intensification of the existing restaurant use is discussed in other sections of this report. No mitigation measures necessary.

The project also involves the formalization of historical parking uses for up to 21 cars at the State property. With project implementation, the State property will continue to be used for parking purposes. However, as discussed in Section 5.a. of this report, above, access and landscaping improvements at the property will improve user safety and environmental stewardship of the property. No mitigation measures necessary.

- e. **Will (or could) this project serve to encourage off-site development of presently undeveloped areas or increase development intensity of already developed areas (examples include the introduction of new or expanded public utilities, new industry, commercial facilities or recreation activities)?**

Yes, Not Significant. As discussed in Section 5.a. of this report, while project implementation will decrease available daytime beach user parking at both properties by nine spaces on Fridays and weekends, the project will result in increased daytime beach user parking on Mondays through Thursdays and nighttime beach user parking.

The project traffic report also notes that, based on field observations, there was plenty of parking available within the two restaurant parking lots and the State property, as well as another public lot located just south of Lot C (which provides additional beach parking for about 10 cars), during the brunch and lunchtime period. While it is acknowledged that there is a need for formalized parking areas to serve beach users in the project area, the project itself would not directly encourage or cause the development of new parking facilities in the area. No mitigation measures necessary.

- f. **Will (or could) this project adversely affect the capacity of any public facilities (streets, highways, freeways, public transit, schools, parks, police, fire, hospitals), public utilities (electrical, water and gas supply lines, sewage and storm drain discharge lines, sanitary landfills) or public works serving the site?**

REVISED ANSWERS TO QUESTIONS

File No. PLN 2006-00494

Page 18

Yes, Not Significant. As discussed in Section 5 of this report, this project would not adversely affect the capacity of any public streets, highways, or freeways. The project involves brunch and lunch service on Fridays and weekends only and is not anticipated to impact public transit systems or result in the hiring of a significant number of additional full-time employees so as to result in a significant impact to schools, parks, police, fire, or hospitals. The existing restaurant is served by existing public utility lines and services and, therefore, the project is not likely to significantly and adversely affect the capacity of electrical, water and gas supply lines, sewage lines, or sanitary landfills.

Regarding storm drainage, the project involves the repair of existing storm drain discharge systems. As discussed in Section 1.c. of this report, the project would ~~may also~~ result in 5,000 sq. ft. or more of new impervious surface (e.g., if the dirt lot is compacted to 95% compaction, then the lot would be considered impervious). Mitigation Measure 2 ensures compliance with Provision C.3 and to ensure that stormwater treatment, if required, has been reviewed by the project geotechnical consultant.

No additional mitigation measures are necessary.

- g. Will (or could) this project generate any demands that will cause a public facility or utility to reach or exceed its capacity?**

Yes, Not Significant. As discussed in Section 6.f., above, the project would not generate any demands that will cause a public facility or utility to reach or exceed its capacity. No additional mitigation measures are needed.

- o. Will (or could) this project result in possible interference with an emergency response plan or emergency evacuation plan?**

Yes, Not Significant. As described in the answer to Question 5.c., above, as mitigated, potential project impact to vehicular traffic patterns or volumes is ~~considered~~ would be reduced to a less than significant level. Therefore, the project would not result in significant traffic-related interference with an emergency response plan or emergency evacuation plan for the area. No mitigation measures are needed.

7. AESTHETIC, CULTURAL AND HISTORIC

- a. Will (or could) this project be adjacent to a designated Scenic Highway or within a State or County Scenic Corridor?**

Yes, Significant Unless Mitigated. Both properties are located along the Cabrillo Highway (Highway 1) County-Designated Scenic Route. The project involves legalization of minor modifications to the existing restaurant structure, including two exterior patios and nine outdoor lighting fixtures. Patios will not be

REVISED ANSWERS TO QUESTIONS

File No. PLN 2006-00494

Page 19

visible from Highway 1. While outdoor lighting is not proposed along Highway 1, lighting proposed within the restaurant parking lots will be visible from Highway 1.

Proposed Legalization of Lighting Visible from Highway 1

The lighting plan (Attachment E) includes the legalization of five 150-watt lights which illuminate Parking Lot A. Staff conducted a nighttime field investigation and found only three of the five to be operational at the time. The three lights provided adequate illumination of the parking lot. In order to minimize light impacts to the Highway 1 County-Designated Scenic Route, Mitigation Measure 11 ~~40~~ requires the removal of two of the 150-watt light fixtures which illuminate Parking Lot A.

While the applicant does not propose any new lighting in Parking Lot C, staff's field investigation revealed that existing lighting was not effective in illuminating the parking lot and created unnecessary ambient lighting visible from Highway 1. Mitigation Measure 12 ~~44~~ requires the applicant to replace or reposition existing light fixtures such that light is directed downward at the parking lot only, each lighting fixture does not exceed 150 watts, and total lighting fixtures does not exceed three.

The project also involves formalization of historical beach user parking uses at the State property. Improvements on the State property include minor grading, landscaping and the placement of gravel on the land. The new gravel surface of the parking lot will be minimally visible from Highway 1, but will largely blend with existing views along Highway 1. Landscaping and a walking path, as shown on the landscape plan (Attachment F), proposed along the bluff of the State Parks property will be minimally visible from Highway 1 and will result in a beneficial visual impact.

With the implementation of the following mitigation measures, potential project impacts to views along the County-Designated Scenic Route would be considered less than significant:

Mitigation Measure 1140: Prior to the Current Planning Section's approval of the building permit, the applicant shall remove two of the 150-watt light fixtures which illuminate Parking Lot A, such that there is no more than three lighting fixtures on the north side of the restaurant building.

Mitigation Measure 1244: Prior to the Current Planning Section's approval of the building permit, the applicant shall replace or reposition existing light fixtures in Parking Lot C such that light is directed downward at the parking lot only, each lighting fixture does not exceed 150 watts, and the total number of lighting fixtures does not exceed three.

REVISED ANSWERS TO QUESTIONS

File No. PLN 2006-00494

Page 20

- b. **Will (or could) this project obstruct scenic views from existing residential areas, public lands, public water body, or roads?**

Yes, Significant Unless Mitigated. The project involves formalization of historical beach user parking uses at the State property. Improvements on the State property include minor grading, landscaping and the placement of gravel on the land. Such improvements will not obstruct scenic views. The project also involves legalization of minor modifications (two exterior patios and nine outdoor lighting fixtures) to the existing restaurant structure. Proposed modifications to the restaurant structure and the formalization of parking at the State Parks property will be minimally visible from residential areas across Highway 1. View impacts to the Highway 1 County-Designated Scenic Route are discussed in Section 7.a., above.

Proposed lighting and patios will be visible from public lands (Montara State Beach) and a public water body (Pacific Ocean). Patios do not obstruct scenic views, as they blend in with the existing restaurant building. However, during a nighttime field investigation, staff observed several temporary lantern lighting (not shown in the lighting plan) along the perimeter of the lower floor patio. The lighting plan (Attachment E) includes the legalization four 400-watt lights that illuminate the rear building elevation and beach. At the time of staff's nighttime field investigation, only three of the four lights on the west building elevation (beach side) were operational. However, the three 400-watt lights, along with several lantern lights, cast excessive light on the patio and on the beach, which obstruct views of Montara State Beach from the restaurant and views from the beach to the restaurant. Mitigation Measure ~~13~~ ~~42~~ requires the applicant to modify the lighting plan for the rear/west elevation such that lighting fixtures are positioned no higher than the ceiling height of the lower floor, each lighting fixture does not exceed 150 watts, and the number of lighting fixtures shall not exceed five. Prior to the Current Planning Section's final approval of the building permit, staff shall review the wattage of the west elevation and wattage shall be adjusted as required by staff to achieve adequate lighting for patio dining and minimization of light impacts on beach areas. Also, no temporary lighting is permitted on the property without the approval of the Community Development Director.

With the implementation of the following mitigation measures, potential for project-related development to obstruct scenic views from existing residential areas, public lands, public water body, or roads would be considered less than significant:

Mitigation Measure 1312: The applicant shall modify the lighting plan for the rear/west elevation such that lighting fixtures are positioned no higher than the ceiling height of the lower floor, each lighting fixture does not exceed 150 watts, and the number of lighting fixtures shall not exceed five. Prior to the Current Planning Section's final approval of the building permit, staff shall review the wattage of the west elevation and wattage shall be adjusted as required by staff

REVISED ANSWERS TO QUESTIONS

File No. PLN 2006-00494

Page 21

to achieve adequate lighting for patio dining and minimization of light impacts on beach areas. Also, no temporary lighting is permitted on the property without the approval of the Community Development Director.

- d. **Will (or could) this project directly or indirectly affect historical or archaeological resources on or near the site?**

Yes, Significant Unless Mitigated. According to the results of a record search by the California Historical Resources Information System (CHRIS), dated January 7, 2013, the proposed project area contains or is adjacent to the archaeological site, P-41-000117. CHRIS staff recommended that a qualified professional assess the status of the resource(s) and provide project specific recommendations.

A cultural resource study was prepared by Virginia Hagensieker, B.A. and Janine M. Loyd, M.A./R.P.A. for Tom Origer and Associates, dated March 3, 2013. It should be noted that the cultural resource study is not attached to this document nor are exact locations of the site provided in this document in order to protect the cultural site. The following are the results of the cultural study.

Study Area Location and Description

The study area comprises the parcel at 8150 Cabrillo Highway and an adjoining portion of the adjacent State Parks land, located just north of Montara, as shown on the Montara Mountain, California 7.5' USGS topographic map. At present, the study area has a restaurant, its associated paved parking lot, and a dirt lot on the State Parks portion.

The nearest fresh water source is Martina Creek, which flows about 600 meters north of the study area. The terrain in this area is mostly flat.

The geology of the study area is mesozoic granitic rocks, primarily including quartz diorite and granodiorite (Jennings and Burnett 1961).

Soils within the study area are Typic Argiustolls (Kashiwagi and Hokholt 1991: Sheet 5). These soils are moderately well-draining coastal alluvium derived from sedimentary rock, and found on fluvio-marine terraces. Typic Argiustolls soils typically support the growth of annual grasses, forbs, and scattered brush (Kashiwagi and Hokholt 1991:34).

Cultural Setting

Archaeological evidence indicates that human occupation of California began at least 12,000 years ago (Fredrickson 1984:506). Early occupants appear to have had an economy based largely on hunting, with limited exchange, and social structures based on extended family units. Later, milling technology and an

REVISED ANSWERS TO QUESTIONS

File No. PLN 2006-00494

Page 22

inferred acorn economy were introduced. This diversification of economy appears coeval with the development of sedentism, population growth, and expansion. Sociopolitical complexity and status distinctions based on wealth are also observable in the archaeological record, as evidenced by an increased range and distribution of trade goods (e.g., shell beads, obsidian tool stone), which are possible indicators of both status and increasingly complex exchange systems.

At the time of European settlement, the study area was situated within the area controlled by the Ramaytush linguistic group of the Ohlone/Costanoan (Levy 1978). The Ohlone/Costanoan were hunter-gatherers who lived in rich environments that allowed for dense populations with complex social structures (Barrett 1908; Kroeber 1925). They settled in large, permanent villages about which were distributed seasonal camps and task-specific sites. Primary village sites were occupied throughout the year and other sites were visited in order to procure particular resources that were especially abundant or available only during certain seasons. Sites often were situated near fresh water sources and in ecotones where plant life and animal life were diverse and abundant. For more information about the Ohlone/Costanoan see Milliken (1995), Teixeira (1997), Bean (1994), and Margolin (1978).

Native American Contact

The State of California's Native American Heritage Commission, Amah/Mutsun Tribal Band, Costanoan Rumsen Carmel Tribe, Indian Canyon Mutsun Band of Costanoan, Muwekma Ohlone Indian Tribe of the SF Bay Area, The Ohlone Indian Tribe, Trina Marine Ruano Family, and Jakki Kehl were contacted in writing.

Archival Study Procedures

Archival research included examination of the library and project files at Tom Origer and Associates. A review (NWIC File No. 12-0876) was completed of the archaeological site base maps and records, survey reports, and other materials on file at the Northwest Information Center (NWIC), Sonoma State University, Rohnert Park. Sources of information included but were not limited to the current listings of properties on the National Register of Historic Places (National Register), California Historical Landmarks, California Register of Historical Resources (California Register), and California Points of Historical Interest as listed in the Office of Historic Preservation's Historic Property Directory (OHP 2012).

The Office of Historic Preservation has determined that structures older than 45 years should be considered potentially important historical resources, and former building and structure locations could be potentially important historic archaeological sites. Archival research included an examination of historical maps to

REVISED ANSWERS TO QUESTIONS

File No. PLN 2006-00494

Page 23

gain insight into the nature and extent of historical development in the general vicinity, and especially within the study area. Maps ranged from hand-drawn maps of the 1800s (e.g., GLO plats) to topographic maps issued by the United States Geological Survey (USGS) and the Army Corps of Engineers (USACE) from the early to the middle 20th century.

In addition, ethnographic literature that describes appropriate Native American groups, county histories, and other primary and secondary sources were reviewed.

Archival Study Findings

Archival research found that the entire study area was included in Hylkema's Master's Thesis (Hylkema 1991). Two studies have been conducted adjacent to the current study area (Fitzgerald 2000; Rose 2010). Three other studies have been conducted within a quarter-mile of the current study area (Gross 1984; Gross and Weigel 1984; Soule 1978). Six cultural resources are located within the project vicinity, two of which are Nelson shellmounds. CA-SMA-115, a small shell midden, is located in the project area. CA-SMA-115 was tested by San Jose State University in 1983. The site consisted mostly of faunal material (shell and bone) and very few artifacts (chert debitage and three cobble tools).

There are no reported ethnographic sites in the vicinity (Kroeber 1925). Historical maps show a couple buildings within the project area, by 1978, only the current building is depicted (GLO 1860; USGS 1896, 1915, 1939, 1956 [1978], 1993).

Field Survey Procedures

A field survey was completed by Ms. Hagensieker on February 26, 2012. The approximately two-acre study area was examined intensively where soils were visible. Visibility was moderate, with vegetation, fill materials, and pavement being the chief hindrances. A hoe was used as needed to clear small patches of vegetation so that the ground could be inspected. An auger was used to determine the extent of CA-SMA-115.

Field Survey Findings

CA-SMA-115 is located within the project area and the site record was updated. The site does not appear to extend any farther into the project area than is depicted on the site record. No other cultural resources were found within the study area.

REVISED ANSWERS TO QUESTIONS

File No. PLN 2006-00494

Page 24

RECOMMENDATIONS

Known Resources

It is recommended that the area of CA-SMA-115 be fenced during construction to assure that no inadvertent damage from equipment or personnel takes place. If this area cannot be avoided, it is recommended that earth-moving activities in this area be monitored by an archaeologist who meets the Secretary of the Interior's Qualification Standards.

Grading and Drainage Plans for the parking lot improvements, dated October 1, 2013 (Attachments C, D and F), show that the project avoids the CA-SMA-115 cultural site.

Accidental Discovery

There is the possibility that buried archaeological deposits could be present, and accidental discovery could occur. In keeping with the CEQA Guidelines, if archaeological remains are uncovered, work at the place of discovery should be halted immediately until a qualified archaeologist can evaluate the finds (§15064.5[f]). Prehistoric archaeological site indicators include: obsidian and chert flakes and chipped stone tools; grinding and mashing implements (e.g., slabs and handstones, and mortars and pestles); bedrock outcrops and boulders with mortar cups; and locally darkened midden soils. Midden soils may contain a combination of any of the previously listed items with the possible addition of six bone and shell remains, and fire affected stones. Historic period site indicators generally include: fragments of glass, ceramic, and metal objects; milled and split lumber; and structure and feature remains such as building foundations and discrete trash deposits (e.g., wells, privy pits, dumps).

The following actions are promulgated in Public Resources Code 5097.98 and Health and Human Safety Code 7050.5, and pertain to the discovery of human remains. If human remains are encountered, excavation or disturbance of the location must be halted in the vicinity of the find, and the County Coroner contacted. If the coroner determines the remains are Native American, the coroner will contact the Native American Heritage Commission. The Native American Heritage Commission will identify the person or persons believed to be most likely descended from the deceased Native American. The most likely descendant makes recommendations regarding the treatment of the remains with appropriate dignity. In a conversation with staff on April 23, 2013, Ms. Hagensieker stated that the possibility for accidental discovery is likely very low, as the cultural site does not appear to extend any farther into the project area than is depicted on the site record. While the project has been re-designed to avoid this area, staff has incorporated these requirements into Mitigation Measure 14, ~~Planning staff has added the following mitigation measure, in order~~

REVISED ANSWERS TO QUESTIONS

File No. PLN 2006-00494

Page 25

to mitigate potential impact to unrecorded archaeological site(s) at the State Parks property:

Mitigation Measure 1413: ~~The applicant and contractors must be prepared to carry out the requirements of California State law with regard to the discovery of human remains during construction, whether historic or prehistoric. In the event that any human remains are encountered during site disturbance, all ground-disturbing work shall cease immediately and the County coroner shall be notified immediately. If the coroner determines the remains to be Native American, the Native American Heritage Commission shall be contacted within 24 hours. A qualified archaeologist, in consultation with the Native American Heritage Commission, shall recommend subsequent measures for disposition of the remains. The applicant shall comply with the following requirements relating to the avoidance of the CA-SMA-115 cultural site and discovery of archaeological remains, including human remains, during all grading and construction activity:~~

- a. Prior to the Current Planning Section's approval of the building permit application, the applicant shall demonstrate that all grading and construction will avoid the CA-SMA-115 cultural site.
- b. Prior to the issuance of the grading permit "hard card," the applicant shall demonstrate proper protection of the CA-SMA-115 cultural site for grading and construction activity. The area shall be fenced during grading and construction to assure that no inadvertent damage from equipment or personnel takes place.
- c. If archaeological remains are uncovered, work at the place of discovery should be halted immediately until a qualified archaeologist can evaluate the finds (§15064.5ff).
- d. If human remains are encountered, excavation or disturbance of the location must be halted in the vicinity of the find, and the County Coroner contacted immediately. If the coroner determines the remains are Native American, the coroner will contact the Native American Heritage Commission within 24 hours. The Native American Heritage Commission will identify the person or persons believed to be most likely descended from the deceased Native American. The most likely descendant makes recommendations regarding the treatment of the remains with appropriate dignity.
- e. **Will (or could) this project visually intrude into an area having natural scenic qualities?**

Yes, Not Significant. Please see Sections 7.a. and b., above. No additional mitigation measures are needed.

REVISED ANSWERS TO QUESTIONS

File No. PLN 2006-00494

Page 26

ATTACHMENTS

- A. Vicinity Map
- B. Project Geotechnical Reports:
 - 1. Geotechnical Engineering Consultation, Poor Drainage and Riprap Erosion, La Costanera Restaurant, 8150 Cabrillo Highway, Montara, California, BAGG Engineers, February 9, 2010.
 - 2. Geotechnical Engineering Consultation, Unpaved Parking Lot, La Costanera Restaurant, 8150 Cabrillo Highway, Montara, California, BAGG Engineers, October 27, 2011.
 - 3. Update of Geotechnical Consultation Report, dated October 27, 2011, Unpaved Parking Lot La Costanera Restaurant, 8150 Cabrillo Highway, Montara, California, BAGG Engineers, dated January 3, 2013.
- C. Grading and Drainage Plans (Revised version dated October 1, 2013)
- D. Erosion and Sediment Control Plan (Revised version dated October 1, 2013)
- E. Lighting Plan
- F. Landscaping Plan (Revised version dated April 2, 2013)
- G. Parking Plan
- H. Seating Plan
- I. Vegetation Map, TRA Environmental Services, Inc.
- J. Letter of Intent
- K. 1984 Use Permit
- L. "Traffic and Parking Study for La Costanera Restaurant," dated December 10, 2012, prepared by Hexagon Transportation Consultants, Inc.
- M. Montara State Beach Coast Trail Access Maps, "Highway 1 Safety and Mobility Improvement Study: Phase 2, San Mateo County Midcoast, Montara, Moss Beach", dated October 2012.

Note: The "Highway 1 Safety and Mobility Improvement Study: Phase 2, San Mateo County Midcoast, Montara, Moss Beach" is available at the following link:
http://www.co.sanmateo.ca.us/Attachments/planning/PDFs/Midcoast%20Mobility/SMM_Ph_2_Study_Final_LR.pdf

CML:jlh/fc – CMLW0894(rev)_WJH.DOC

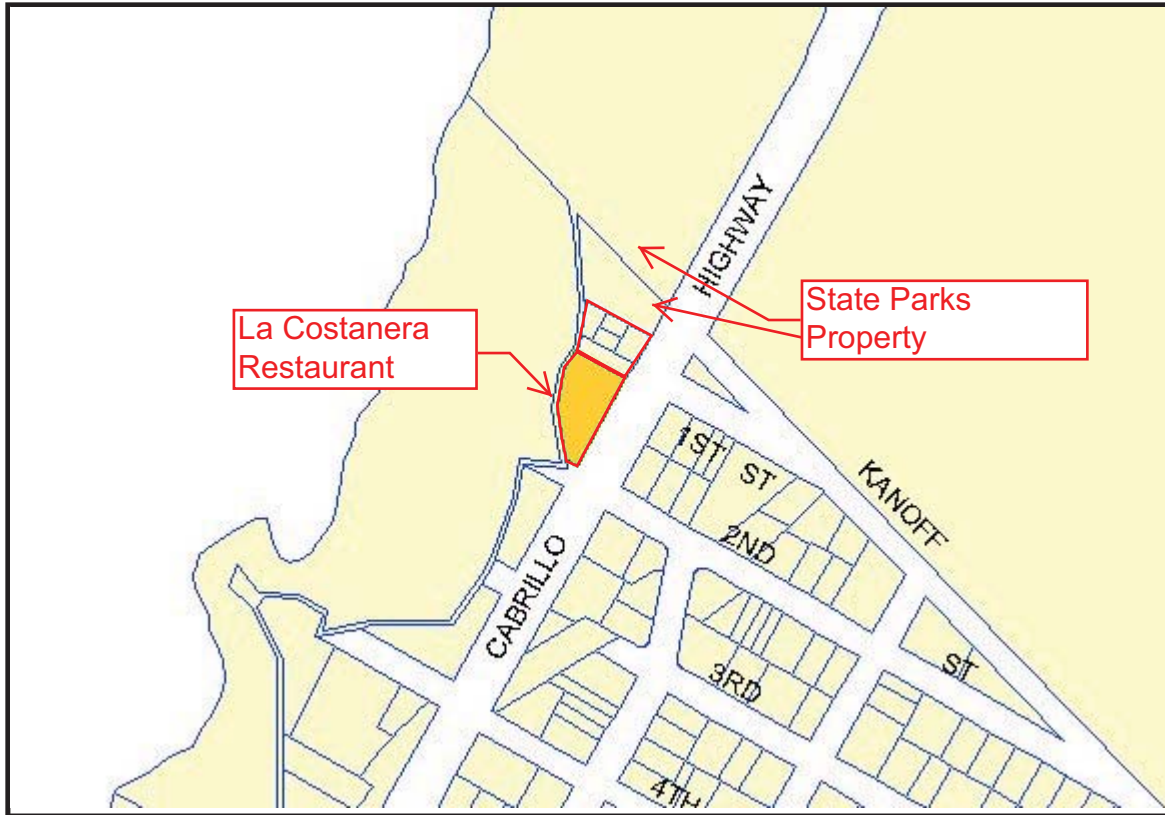
Attachment A

SELECTED PROPERTY

Situs: 8150 Cabrillo Hwy , Montara

Owner: A & G Llc, 370 Convention Way, Redwood City, CA, 94063-

APN: 036046050



Date Created: Thursday, December 20, 2012

Print



February 9, 2010
BAGG Job No. AGLLC-01-00

A & G, LLC
c/o La Costanera Restaurant
8150 Cabrillo Hwy
Montara, CA 94037

Attention: Mr. Hamid Rafiei

**GEOTECHNICAL ENGINEERING
CONSULTATION**

Poor Drainage and Rip Rap Erosion
La Costanera Restaurant
8150 Cabrillo Highway
Montara, California

Dear Mr. Rafiei:

This report describes the site conditions observed during our recent visit in February 2010 to the captioned site in Montara, California, and presents recommendations for engineering measures which should be installed to minimize undermining of the rip rap placed to protect the subject property against wave erosion. Plate 1, Site Vicinity Map, shows the approximate location of the site, and Plate 2, Site Plan, shows the site features including the location of the restaurant building, the rip rap wall, the parking lots, and the general location of the site relative to the shoreline. Our services were provided in general accordance with the scope of work outlined in our proposal (10-116), dated January 25, 2010.

SITE AND PROJECT DESCRIPTION

The subject 8150 Cabrillo Highway property is located adjacent to and on the west side of Cabrillo Highway across from 2nd Street in Montara, California. The subject property is situated above the Pacific Ocean bluffs and contains a restaurant building (La Costanera Restaurant) in the middle, a paved parking lot to the north of the building, and another parking lot to the south of the building. A roughly 20-foot high cliff on the west side of the property separates the restaurant building and the parking areas from the sandy beach and Pacific Ocean. The cliff is lined with rip rap possibly to protect the developed areas against wave erosion. It appears that the rip rap has not been keyed into the firm ground underlying the sand, and the bottom 6-feet of the rip rap has been grouted with cement.

The ground surface within each parking lot slopes down towards drop inlets located on the western side of the lots. The outlet pipes from both drop inlets discharge their content behind (east of) the rip rap seawall, thus causing some undermining of the rip rap. This condition is exacerbated by the wave action.

APPROACH, PURPOSE AND SCOPE OF SERVICES:

Based on the conditions observed during the site visit, it was our opinion that the undermining of the existing rip rap was primarily caused by the improper discharge of the surface runoff from the two paved parking lots. Therefore, we did not perform any subsurface exploration, and concentrated our efforts on developing recommendation related to the discharge of surface water runoff from the paved parking lots. Please note that our recommendations are based on engineering judgment and the current condition of the site; however, the California Coastal Commission might impose restrictions on the specific type of the mitigation measures that may be employed on this site.

RECOMMENDATIONS

The intent of the engineering measures recommended in this report is to collect the surface runoff from the site and drain it toward the lower beach area in such a way that it does not cause any erosion. The recommended engineering measures should include the following:

- Remove rip rap from the area above the two drainage outlet pipes.
- Expose the discharge end of the drainage pipes, and check the integrity of the drainage lines for any leaks or ruptures. Repair or replace the drainage lines, if found to be damaged.
- Extend the drainage pipes to the top of the grouted portion of the rip rap.
- Install a T-joint at the end of the drainage line and connect a 10-foot long portion of a slotted PVC pipe on either side of the T-joint. The T-joint and the connected pipelines should be kept level and placed parallel to the slope within the replaced section of the riprap. Details of the recommended repair scheme are shown on Plate 3.
- Place cement grout in the cavities where the rip rap has been undermined.
- Prior to performing any remediation work, necessary construction permits should be obtained from the local government agencies and the California Coastal Commission.
- All aspects of the site work should be observed by the Project Geotechnical Engineer or his authorized representatives.

Please do not hesitate to contact us if you have questions or comments regarding the contents of this letter.

Very truly yours,
BAGG Engineers


FOR

Ajay Singh
Senior Engineer


Handwritten signature of Bruce Gaviglio

Bruce Gaviglio
Senior Geotechnical Engineer

AS/BG/sd

The following plate is attached and completes this report:

Plate 1 – Vicinity Map

Plate 2 – Site Plan

Plate 3 – Details of the Repair Scheme

Distribution: 6 copies to addressee

WGS84 122.51667° W

37.55000° N

P
A
C

**MONTARA
STATE BEACH**

SITE

100

2nd Street

Montara

*Point Montara
Lighthouse*

**POINT MONTARA
LIGHT STATION**

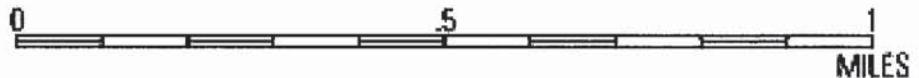
37.55000° N

37.53333° N

37.53333° N

Map created with **TOPO!** ©2008 National Geographic

WGS84 122.51667° W



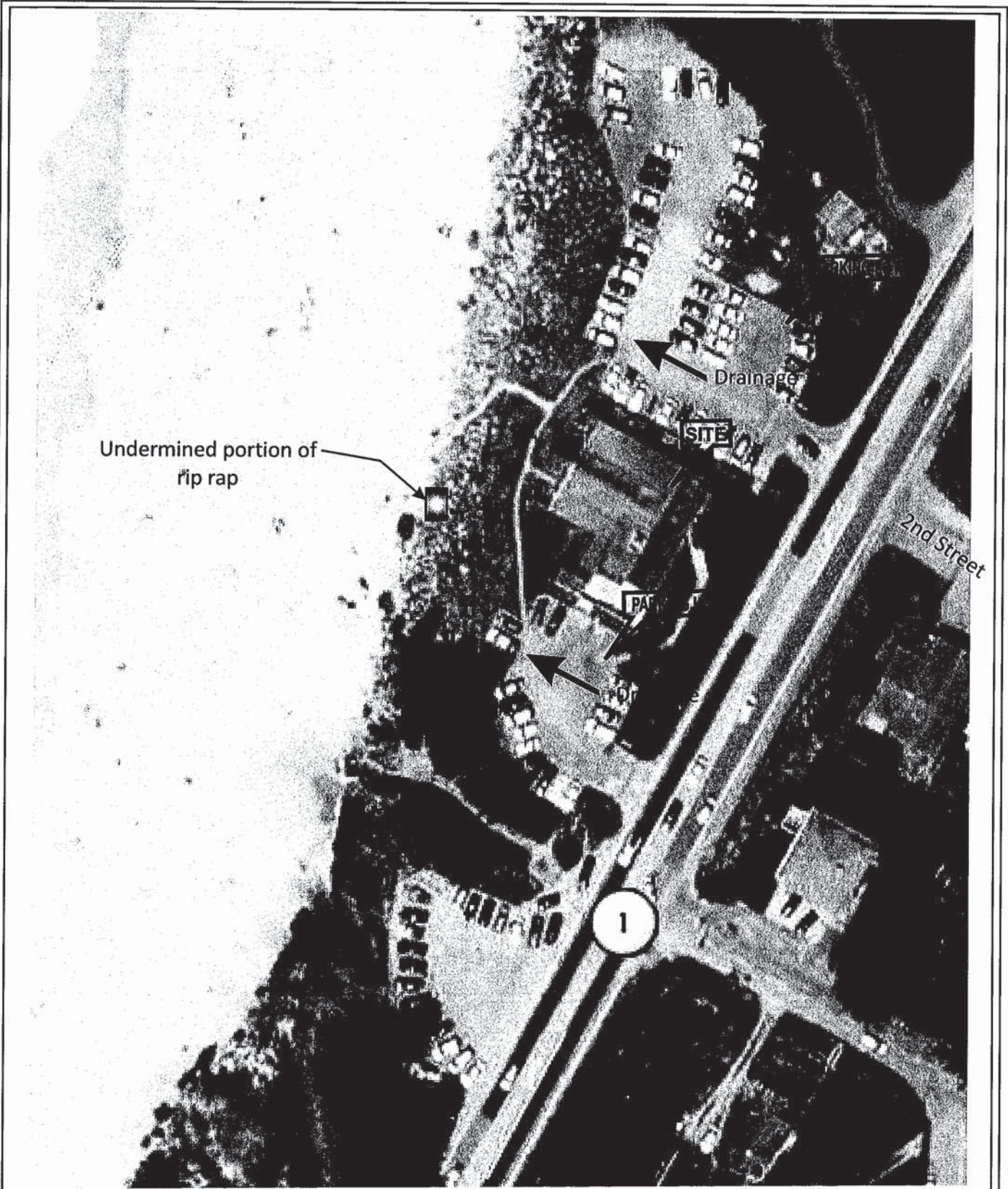
La Costanera Restaurant
 8150 Cabrillo Highway
 Montara, California

VICINITY MAP

DATE:
Feb. 2010

JOB NUMBER:
AGLLC-01-00

PLATE
1



Undermined portion of
rip rap

Drainage

SITE

2nd Street

PARKING

1

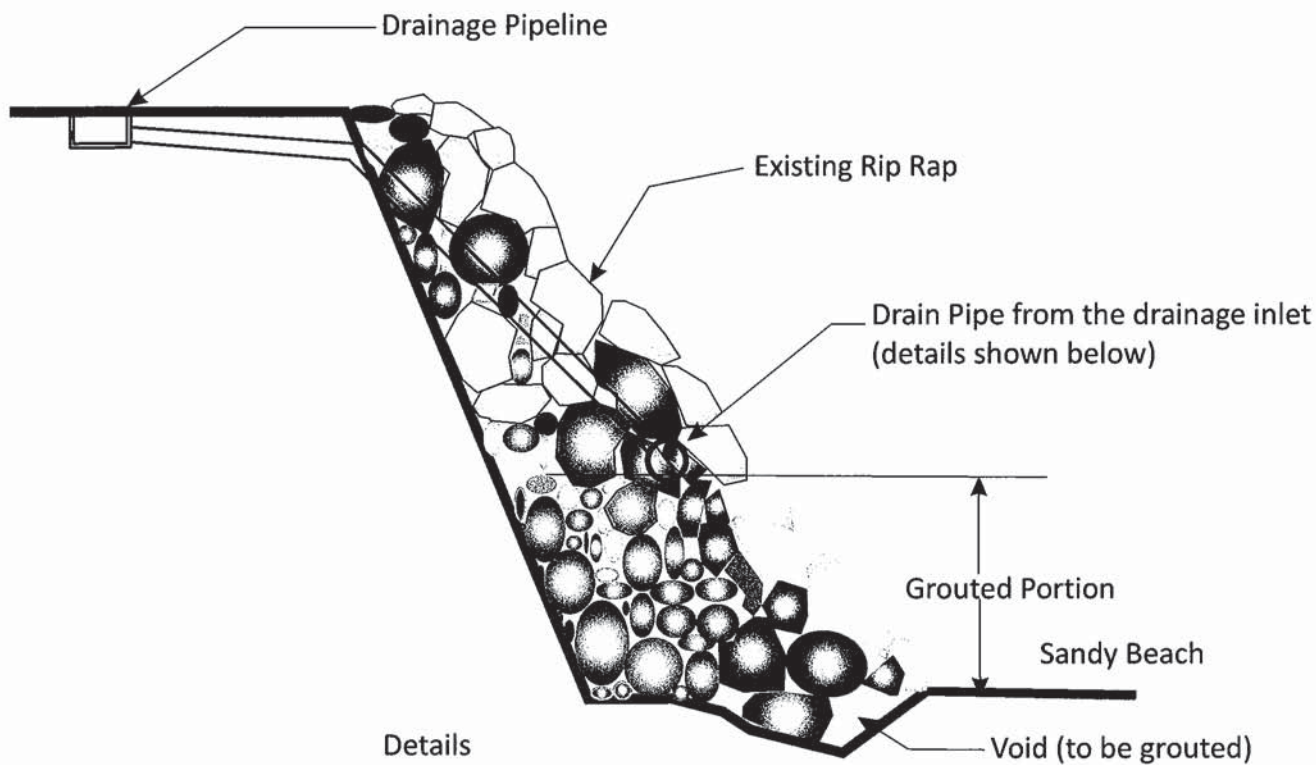
La Costanera Restaurant
8150 Cabrillo Highway
Montara, California

SITE PLAN

DATE:
Feb. 2010

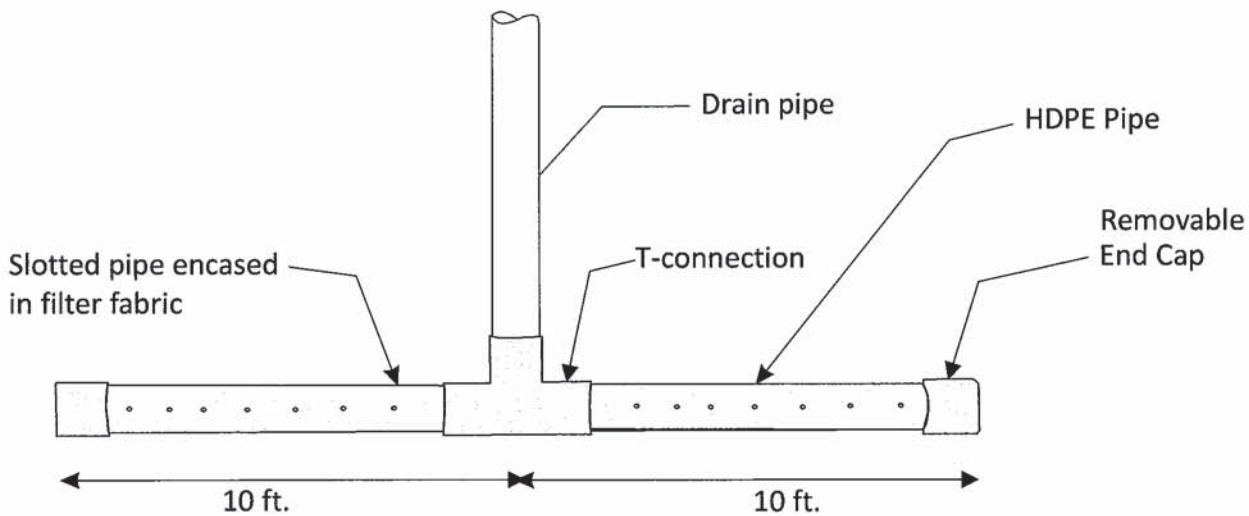
JOB NUMBER:
AGLLC-01-00

PLATE
2



Details

Not to Scale



LA CASTANERA RESTAURANT
8150 CABRILLO HIGHWAY
MONTARA, CALIFORNIA

DETAILS OF THE REPAIR SCHEME

DATE:
Feb. 2010

JOB NUMBER:
AGLLC-01-00

PLATE
3

October 27, 2011
BAGG Job No. AGLLC-01-00

A & G, LLC
c/o La Costanera Restaurant
8150 Cabrillo Hwy
Montara, CA 94037

Attention: Mr. Hamid Rafiei

**GEOTECHNICAL ENGINEERING
CONSULTATION**
Unpaved Parking Lot
La Costanera Restaurant
8150 Cabrillo Highway
Montara, California

Dear Mr. Rafiei:

This report describes the site conditions observed during our recent visit in August 2011 to the captioned site in Montara, California, and presents recommendations for slope setbacks in an effort to minimize the impact of erosion on the parking lot. Plate 1, Site Vicinity Map, shows the general location of the site, and Plate 2, Site Plan, depicts the site features, including the location of the restaurant building, the rip-rap wall, limits of the paved and unpaved parking lots, and the general location of the site relative to the shoreline.

SITE AND PROJECT DESCRIPTION

The subject restaurant property is located adjacent to and on the west side of Cabrillo Highway across from 2nd Street in Montara, California. The property lies above the Pacific Ocean bluffs and contains a restaurant building (La Costanera Restaurant) in the middle, a paved parking lot to the north of the building, and another paved parking lot south of the building. A soil-covered

parking lot is located north of the paved parking lot on the north; we understand the unpaved parking lot land is owned by the park district. A roughly 20-foot-high cliff on the west side of the property separates the restaurant building and the parking areas from the sandy beach of the Pacific Ocean. The cliff is lined with rip-rap with an approximate gradient of 2:1 (horizontal to vertical) to protect the developed areas (the restaurant building and parking lots) from wave erosion. It appears that the rip-rap has not been properly keyed into the firm ground underlying the beach sand, although the bottom 6 feet of the rip-rap has been grouted with cement.

The ground surface in the paved parking lot areas slopes down towards drop inlets located on the western side of the lots. The outlet pipes from both drop inlets discharge their content behind (east of) the rip-rap seawall, thus causing some undermining of the rip-rap. This condition is exacerbated by the wave action.

The northern unpaved parking lot does not have any drainage control measures. The ground surface steps down approximately 3-feet to a flat area located adjacent to the top of the rip-rap. At this location, the rip-rap has a gradient of approximately 1:1 (horizontal to vertical).

APPROACH, PURPOSE AND SCOPE OF SERVICES

We previously prepared a Geotechnical Engineering Consultation letter titled "Poor Drainage and Rip-Rap Erosion, La Costanera Restaurant, 8150 Cabrillo Highway, Montara, California" which was issued on February 22, 2010. That letter addressed the drainage emanating from the develop areas onto the slope below the two paved parking lots.

It is our understanding that the northern unpaved parking lot will be improved. The main geotechnical constraint in the unpaved parking area is the stability of the steep 1:1 gradient rip-rap placed against the bluffs. Should the rip-rap and/or the bluffs fail, it would most likely damage a portion of the unpaved parking lot. To protect the parked cars in this lot, we suggested to the project civil engineer that the western edge of the parking lot should be

setback from the top of the rip rap slope. While we have not performed a site-specific investigation to address the stability of the over-steepened rip-rap against the unpaved parking lot bluff; it is likely that the slope will fail due to continued erosion. Please note that our opinions and recommendations are based on engineering judgment and the current condition of the site; the California Coastal Commission might impose restrictions on the specific type of the mitigation measures that may be employed on this site.

RECOMMENDATIONS

It is our opinion that the simplest and the most cost effective method for improving the unpaved parking lot and protecting the customer automobiles is to establish a setback for automobile parking from the edge of the bluff. The suggested setback line is shown on the attached Plate 2, Site Plan, which has been established, based on an imaginary 2:1 slope gradient extending from the setback line to the toe of the existing rip-rap, should slope failure occur. This approach would also have a higher probability of approval from the California Coastal Commission.

The surface of the unpaved parking lot may be improved using one, or a combination of, or all of the improvement measures recommended below. Please note however, that the cheaper the improvement option chosen will likely lead to higher long-term maintenance expenses.

- Scarify and re-compact the surface 6-inches of the parking lot soil to at least 95 percent relative compaction;
- Place a 6- inch-thick layer of CalTrans Class 2 Aggregate Base on the existing or re-compact parking lot surface; the aggregate base must be compacted to a minimum of 95 percent of the maximum dry density;
- Place a layer of Tensar TriAx geogrid (such as TX140 or equivalent) between the subgrade and the aggregate base material; the intent is to improve the load carrying capacity of the parking lot surface under the moving loads.

The type of surfacing to be selected will likely depend on the ascetics and the projected future maintenance costs.

Thank you for the opportunity to provide geotechnical consultation on this project. Please do not hesitate to contact us if you have questions or comments regarding the contents of this letter. The following plate is attached and completes this report:

Plate 1 – Vicinity Map

Plate 2 – Site Plan

Very truly yours,

BAGG Engineers




Bruce Gaviglio
Senior Geotechnical Engineer

BG/sd

Distribution: 3 copies addressee

WGS84 122.51667° W

37.55000° N

P
A
C

**MONTARA
STATE BEACH**

37.55000° N

SITE

2nd Street

100

BM 13

Montara

*Point Montara
Lighthouse*

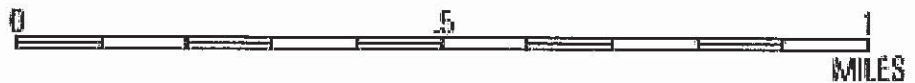
**POINT MONTARA
LIGHT STATION**

37.53333° N

37.53333° N

Map created with **TOPO!** ©2008 National Geographic

WGS84 122.51667° W



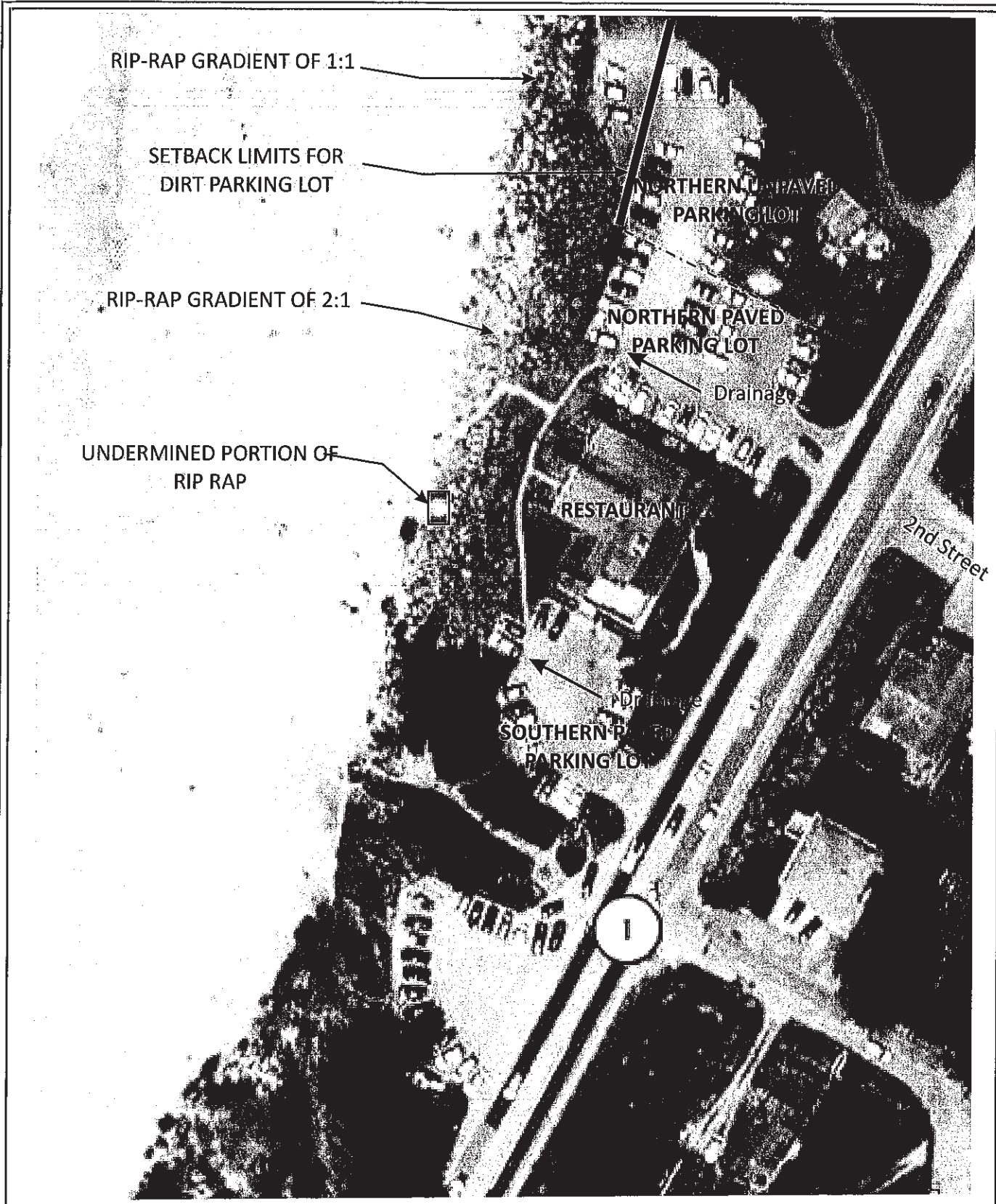
**GEOTECHNICAL CONSULTATION UNPAVED
PARKING LOT
LA COSTANERA RESTAURANT
8150 CABRILLO HIGHWAY**

VICINITY MAP

DATE:
October 2011

JOB NUMBER:
AGLLC-01-00

PLATE:
1



**GEOTECHNICAL CONSULTATION UNPAVED
PARKING LOT
LA COSTANERA RESTAURANT
8150 CABRILLO HIGHWAY**

SITE PLAN

DATE:
October 2011

JOB NUMBER:
AGLLC-01-00

PLATE
2

January 3, 2013
BAGG Job No. AGLLC-01-00

A & G, LLC
c/o La Costanera Restaurant
8150 Cabrillo Hwy
Montara, CA 94037

Attention: Mr. Hamid Rafiei

***Update of Geotechnical Consultation
Report Dated October 27, 2011***

Unpaved Parking Lot
La Costanera Restaurant
8150 Cabrillo Highway
Montara, California

Dear Mr. Rafiei:

This letter updates the pavement recommendations presented in our consultation report for the unpaved parking lot located north of the La Costanera Restaurant site in Montara, California. We understand that the drainage requirements have now changed for the parking lot, and that the storm water can no longer drain to the ocean; rather, the surface runoff has to remain on the parking lot and seep into the subgrade. The parking lot will only be used for regular automobile parking and no trucks will be allowed on the lot. Our previous consultation report recommended the following:

“Place a layer of Tensar TriAx geogrid (such as TX140 or equivalent) between the subgrade and the aggregate base material; the intent is to improve the load carrying capacity of the parking lot surface under the moving loads.”

Because the surface runoff cannot readily seep through the Caltrans Class 2 aggregate base material, it would be necessary to replace it with a more permeable medium. Allowing the runoff to saturate the subgrade material would require a deeper permeable gravel section to

be able to hold water. We recommend the following revised gravel section for the parking lot from top to bottom:

- Six inches of Class 2 Permeable Material, compacted to a minimum of 90 percent relative compaction based on ASTM D1557;
- A layer of Tensar TriAx geogrid (such as TX140 or equivalent);
- Six inches of Class 2 Permeable Material compacted to a minimum of 95 percent relative compaction based on ASTM D1557;
- A layer of Tensar TriAx geogrid (such as TX140 or equivalent);
- Compaction of the upper 6 inches of the subgrade material to a minimum of 95 percent relative compaction based on ASTM D1557.

We trust this letter addresses the support requirements for the subject parking lot. Please do not hesitate to contact us if you have questions or comments regarding the contents of this letter.

Very truly yours,

BAGG Engineers



Bruce Gaviglio
Senior Geotechnical Engineer

BG/sd

Distribution: 3 copies addressee

January 15, 2014
BAGG Job No. AGLLC-01-01

A & G, LLC
c/o La Costanera Restaurant
8150 Cabrillo Hwy
Montara, CA 94037

Attention: Mr. Hamid Rafiei

PLAN REVIEW
Geotechnical Engineering Consultation
New Parking Lot North of
La Costanera Restaurant
8150 Cabrillo Highway
Montara, California

Dear Mr. Rafiei:

Transmitted herewith is the result of our review of the drawings for the captioned project in Montara, California. The following plans provided the basis for this review: "Grading and Drainage Plans, New Parking Lot, 8150 Cabrillo Highway, Montara, California," prepared by SMP Engineers and dated October 1, 2013.

Based on the review of the grading and drainage plans as referenced above, it is our opinion that they have been prepared in conformance with the intent of the recommendations presented in our geotechnical investigation report and, from a geotechnical point of view, are suitable for the construction of the proposed parking lot.

The opinions expressed in this letter are contingent upon the geotechnical observation and testing of the pertinent aspects of the parking lot construction and site grading by our field staff.

Please do not hesitate to contact us if you have questions or comments regarding the contents of this letter.

Very truly yours,
BAGG Engineers

A circular professional engineer seal for Bruce Gaviglio, State of California, Geotechnical. The seal contains the text: REGISTERED PROFESSIONAL ENGINEER, BRUCE GAVIGLIO, No. 52368, GEOTECHNICAL, STATE OF CALIFORNIA. A handwritten signature in cursive is written over the seal.

Bruce Gaviglio
Senior Geotechnical Engineer

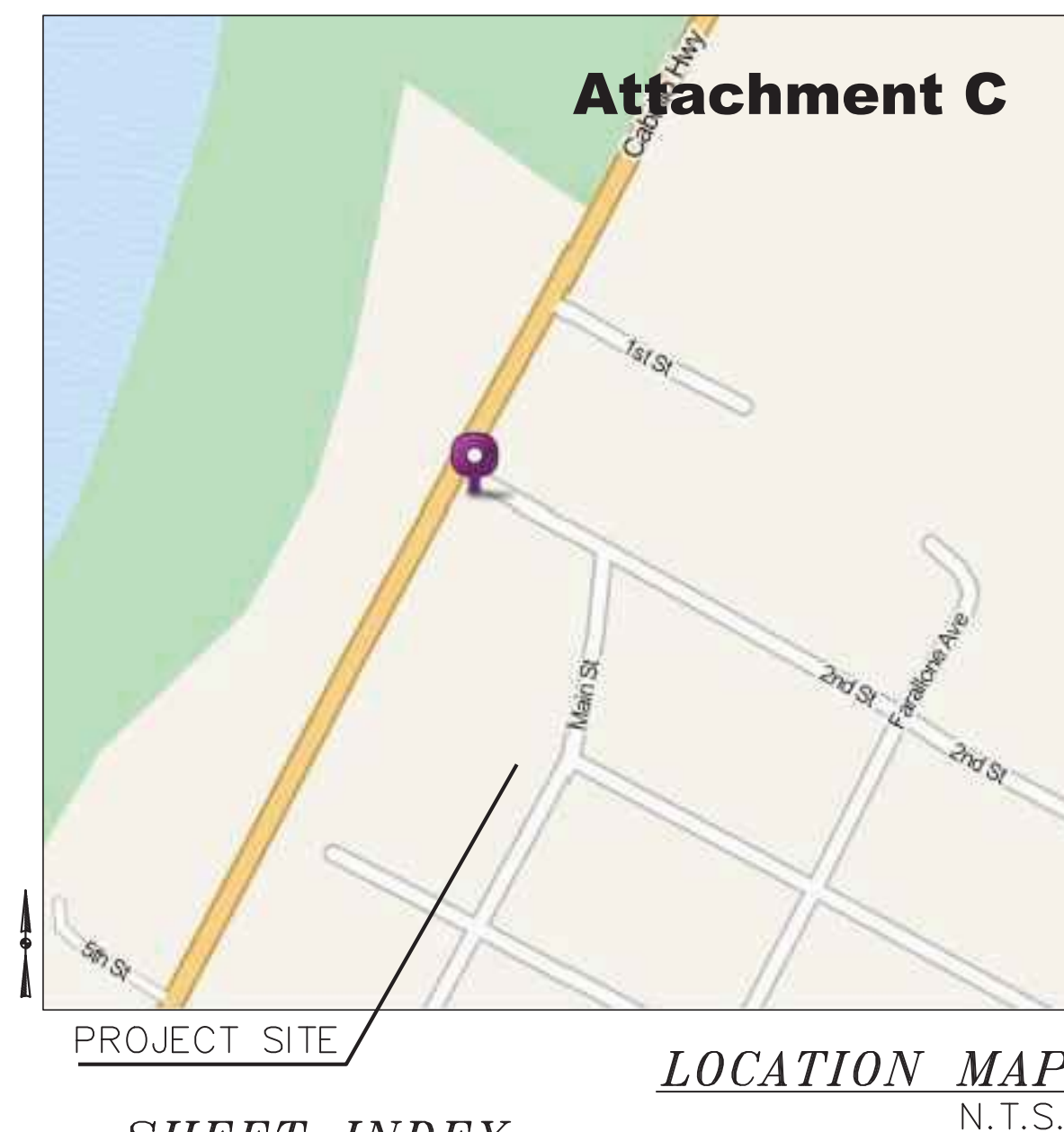
BG/EH/sd

ABBREVIATIONS	
DESCRIPTION	DESCRIPTION
AB	AGGREGATE BASE (CLASS AS NOTED)
AC	ASPHALT CONCRETE
AD	AREA DRAIN
BC	BACK OF CURB
BFL	BACK FLOW WATER PREVENTOR VALVE
BOW	BOTTOM OF WALL
BW	BACK OF WALK
C&G	CURB AND GUTTER
CFF	GARAGE FINISH FLOOR (BACK)
E.C./L	CENTERLINE
CLSW	CENTERLINE SWALE
CO	CLEANOUT
CP	CONTROL POINT
DWY	DRIVEWAY
DI	DROP INLET
DTL	DETAIL
ELCT	ELECTRIC
EP	EDGE OF PAVEMENT ELEVATION
EUC	EUCALYPTUS TREE
(E).EX	EXISTING
FF	FINISHED FLOOR
FG	FINISH GRADE
FH	FIRE HYDRANT
FL	FLOWLINE
FNC	FENCE
FOG	FOG LINE
GB	GRADE BREAK
GFF	GARAGE FINISHED FLOOR (FRONT)
GUY	GUY WIRE
HP	HIGH POINT
IP	IRON PIPE
INV	INVERT
JP	JOINT POLE
JB	JUNCTION BOX (UTILITY)
LP	LIP OF GUTTER
LP	LOW POINT
MON.	MONUMENT
(N)	NEW
OG	ORIGINAL GROUND
PB	PULL BOX
PGEV	PG&E VAULT
P.P./L	PROPERTY LINE
PP	POWER POLE
PERF.	PERFORATED PIPE
PSE	PUBLIC SERVICE EASEMENT
PVC	POLYVINYL CHLORIDE
R/W	RIGHT OF WAY
RCP	REINFORCED CONCRETE PIPE
SD	STORM DRAIN
SDMH	STORM DRAIN MANHOLE
STD	STANDARD
SS	SANITARY SEWER
SSMH	SANITARY SEWER MANHOLE
SW	SIDEWALK
TC	TOP OF CURB
TF	TOP OF FOUNDATION
TOS	TOP OF SLAB
TOW	TOP OF WALL
TP	TOP OF PAVEMENT
(TYP)	TYPICAL
USS	UNDERGROUND SANITARY SEWER
UE	UTILITY EASEMENT
UT	UNDERGROUND TELEPHONE
UW	UNDERGROUND WATER
VCP	VITRIFIED CLAY PIPE
WL	WHITE LINE STRIPE
WLK	WALKWAY
WM	WATER METER
WV	WATER VALVE

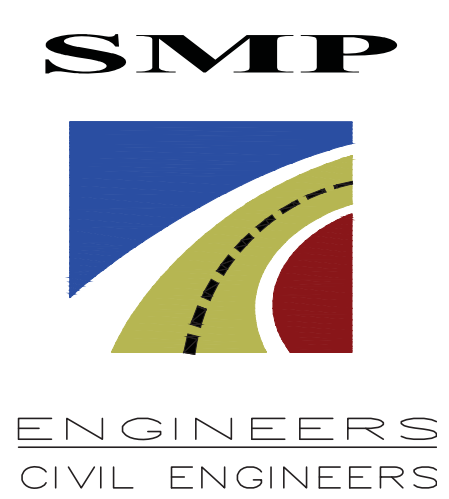
GRADING AND DRAINAGE PLANS

NEW PARKING LOT

8150 CABRILLO HWY MONTARA CA, 94037



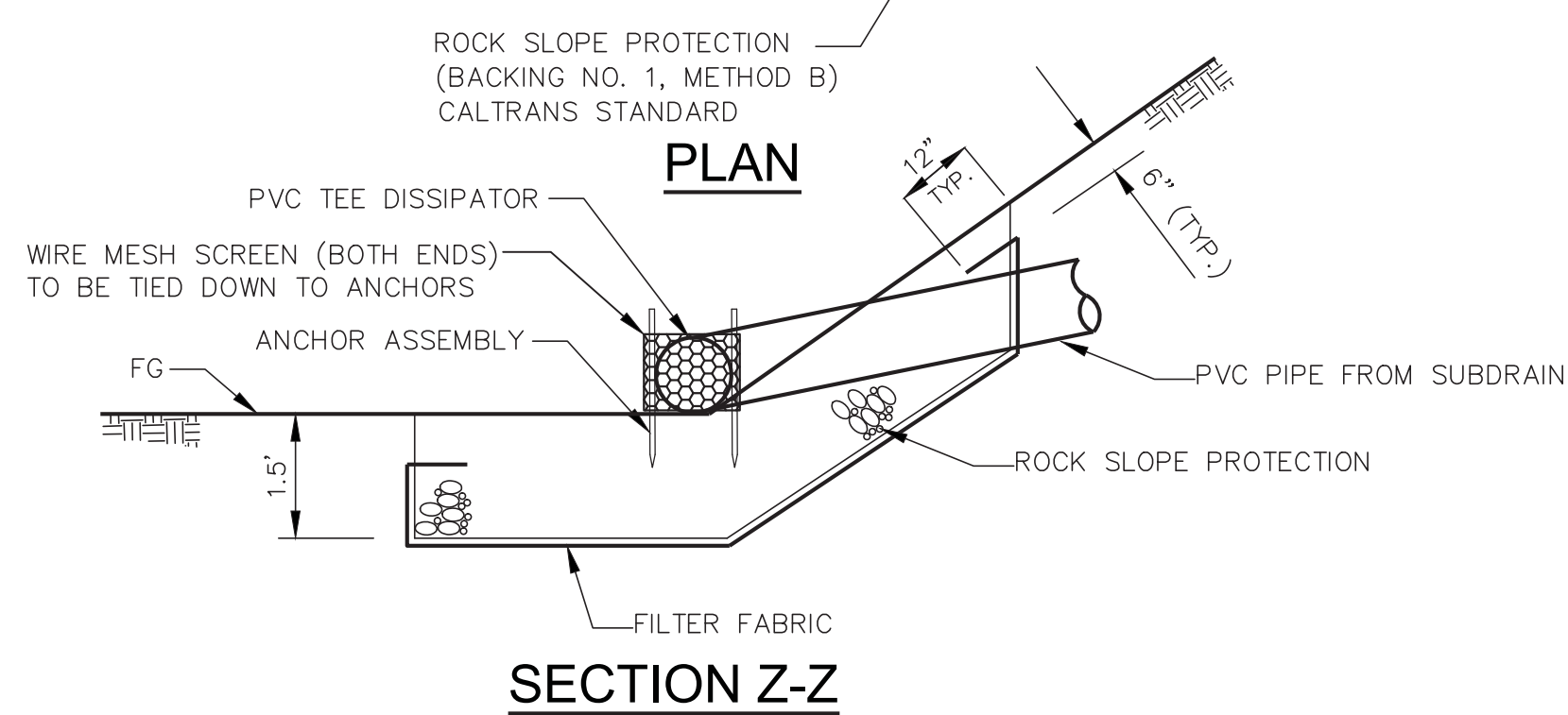
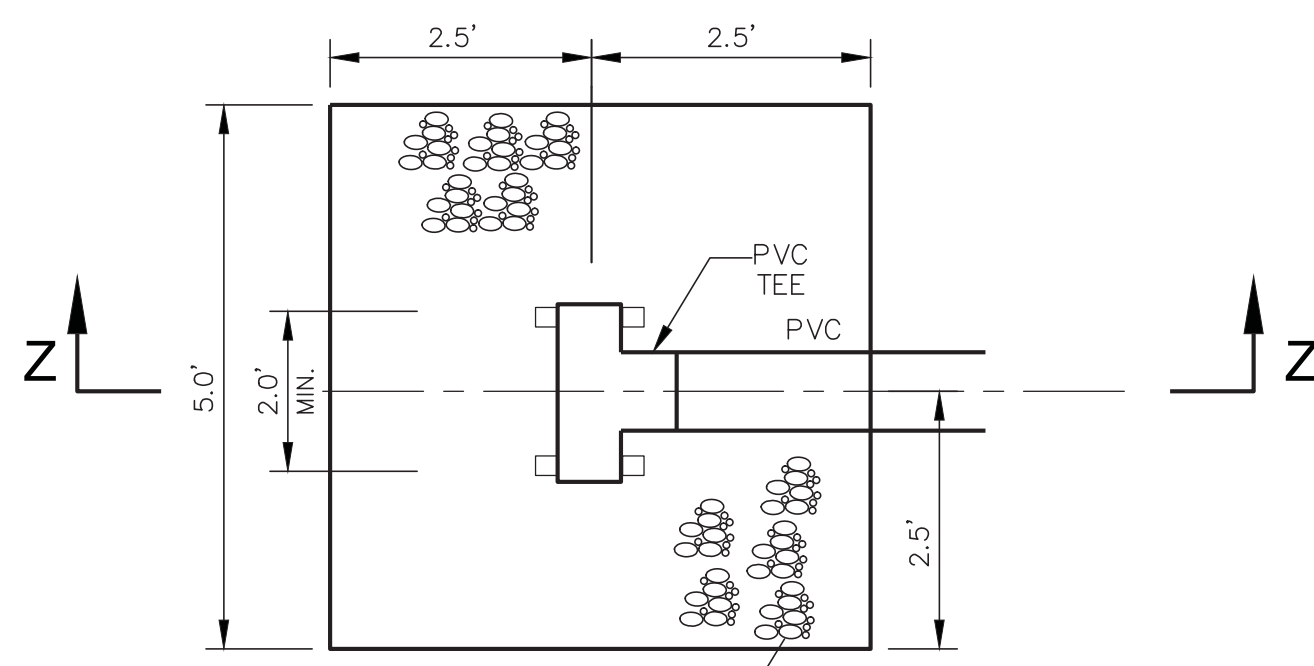
Attachment C



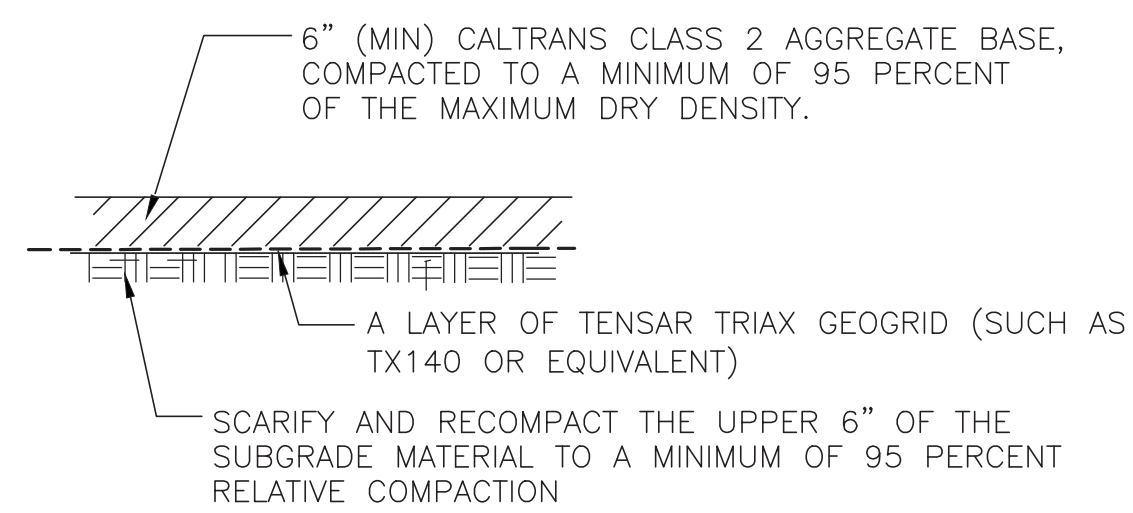
1534 CAROB LANE
LOS ALTOS, CA 94024
TEL: (650) 941-8055
FAX: (650) 941-8755

OWNER:

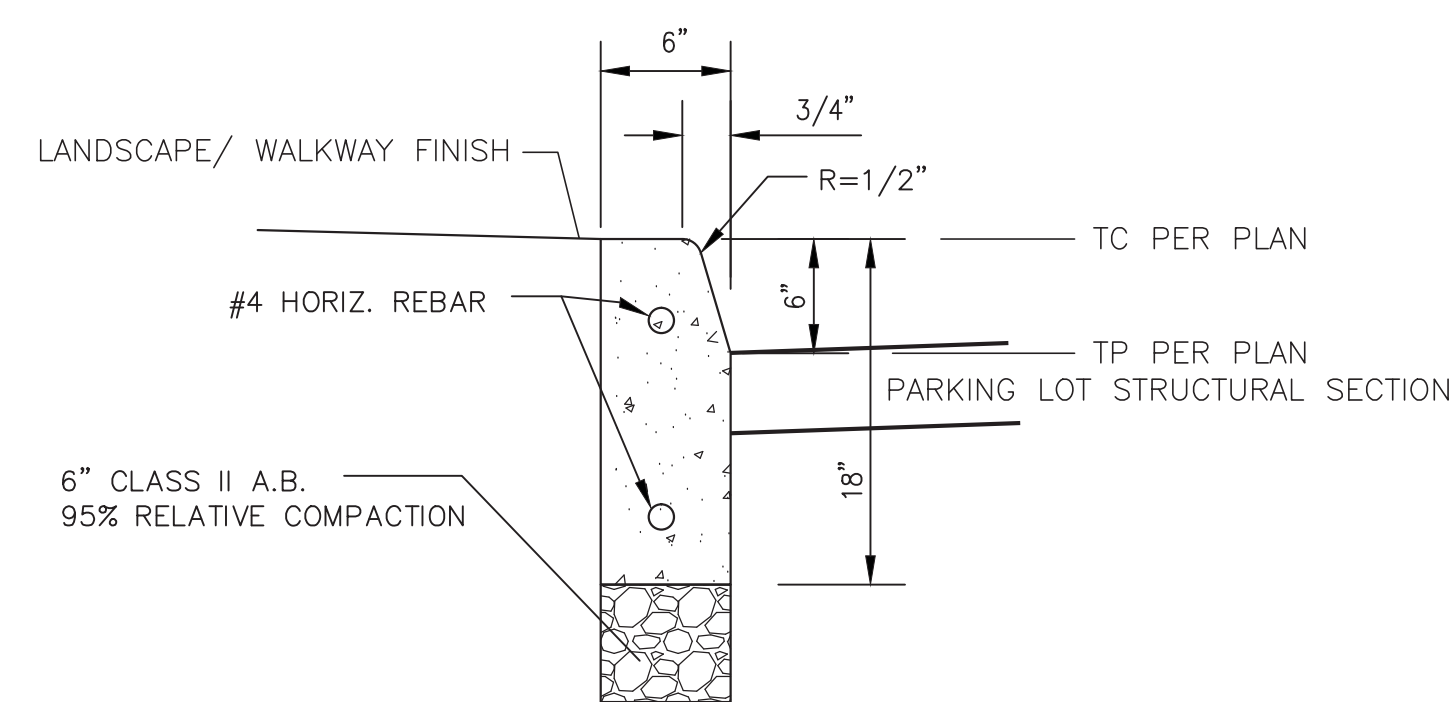
COPYRIGHT © 2013
SMP ENGINEERS
CIVIL ENGINEERS



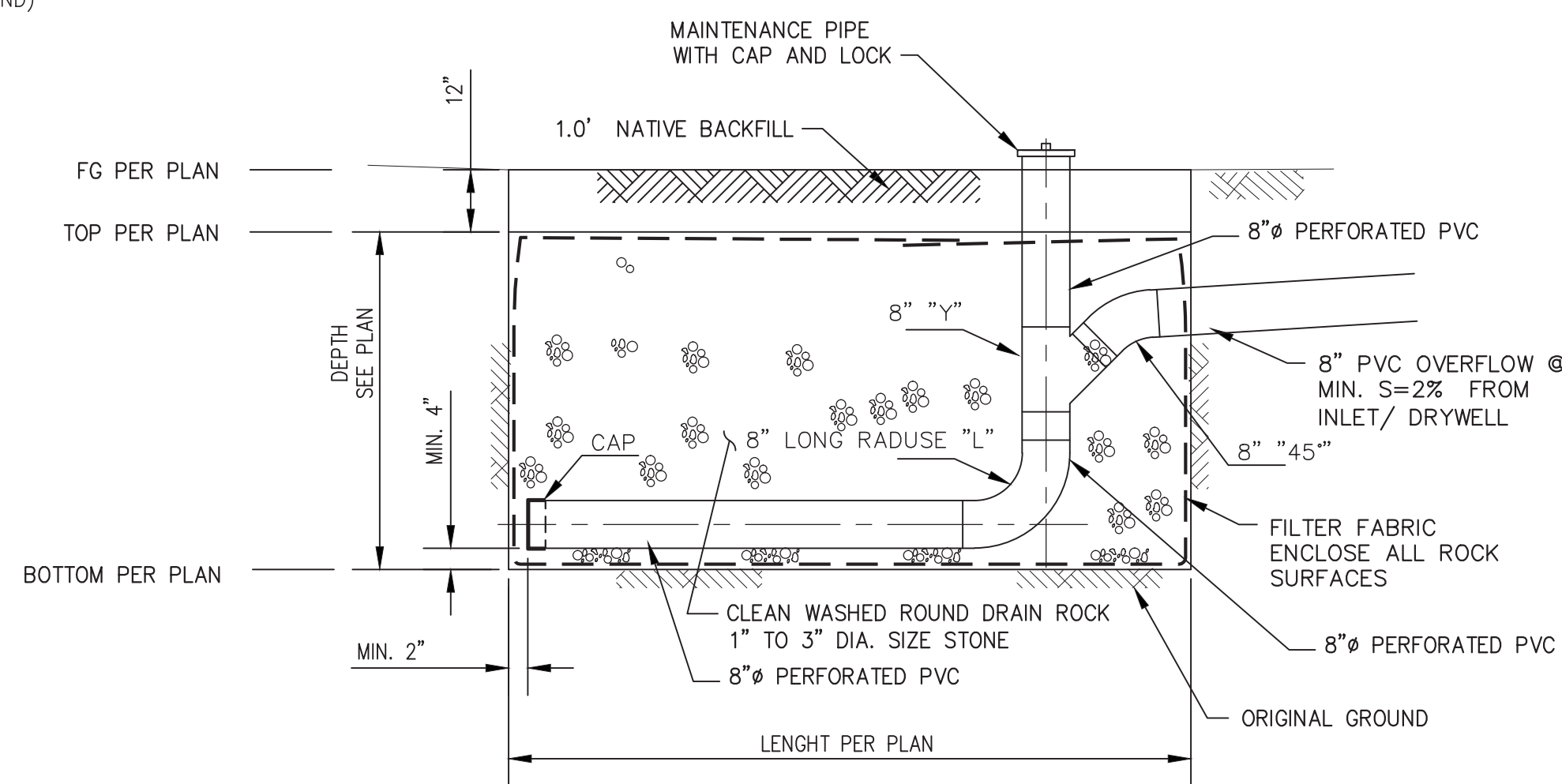
① ROCK SLOPE PROTECTION W/ TEE ENERGY DISSIPATOR FOR PARKING LOT RETAINING WALL SUBDRAIN DAYLIGHT NTS



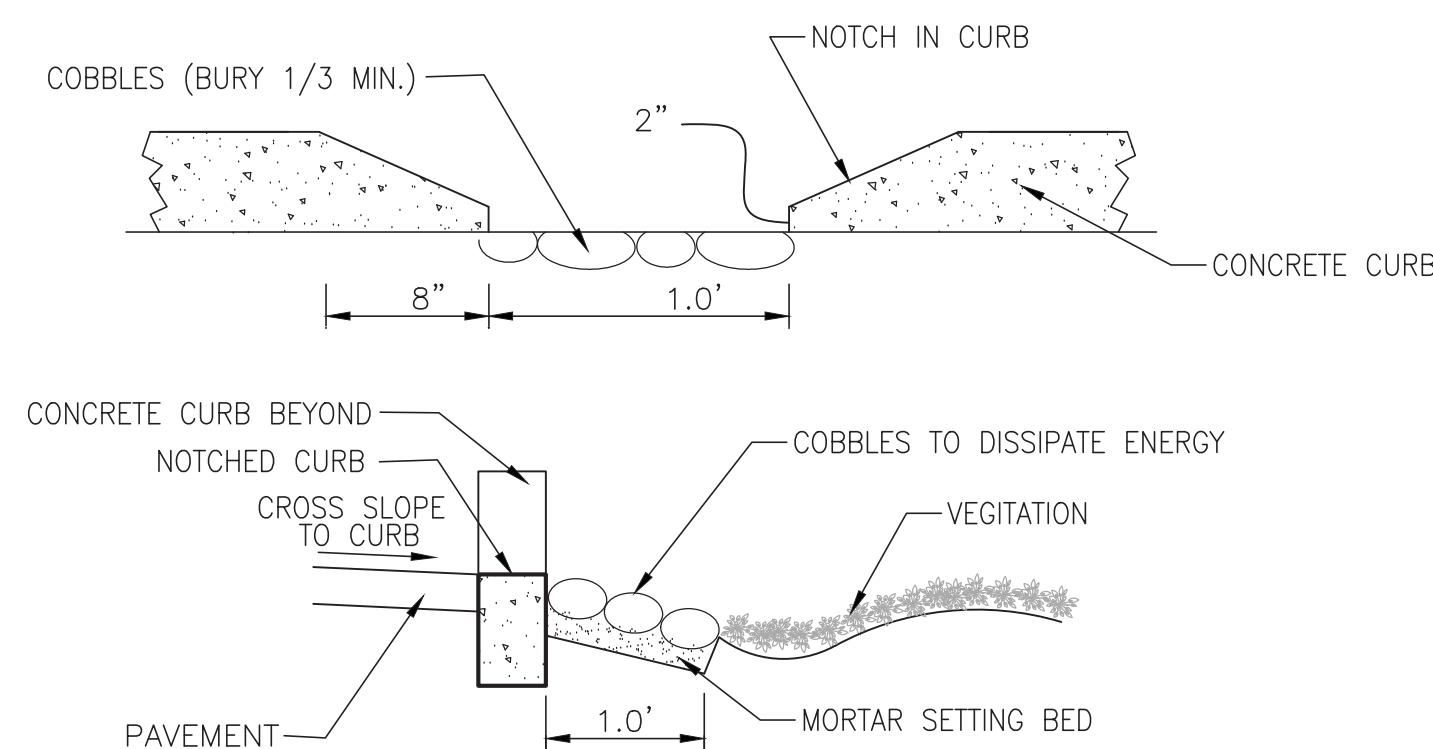
② PARKING LOT STRUCTURAL SECTION NTS



③ ON-SITE VERTICAL CURB NTS



⑤ DETENTION BASIN ELEVATION VIEW- NTS



④ CURB OPENING DETAIL NTS

SHEET INDEX:

- C-1 COVER SHEET/ NOTES
- C-2 SITE PLAN
- C-3 GRADING AND DRAINAGE PLAN
- C-4 DETAILS AND CROSS SECTIONS
- C-5 EROSION CONTROL PLAN

DRAINAGE NOTES

1. Surface water shall be directed away from all buildings into drainage swales, gutters, storm drain inlets and drainage systems.
2. All roof downspouts shall discharge to concrete splash pads draining away from the foundation. See architectural plans for roof downspout locations.

BASIS OF BEARING:

FOUND SURVEY MARKERS ON THE CENTER LINE, ALONG 5TH STREET, PER RSM MAP BOOK:5 PAGE:5 WHICH IS FILED WITH THE COUNTY OF SAN MATEO. ALL BEARINGS AND DISTANCES ARE OF RECORD. PER DOC. # 2004-152297

SITE BENCHMARK:

SET MAG NAIL & SHINER ELEV=54.20'

PROJECT BENCHMARK

NGS BENCHMARK
BM #HT 3825
BRASS DISK FOUND
NEAR THE INTERSECTION OF CABRILLO HWY & 2ND STREET.
ELEVATION=38.30'
(NAVD 88 DATUM)

GEOTECHNICAL REVIEW:

GRADING AND DRAINAGE PLANS SHALL BE REVIEWED AND APPROVED BY THE PROJECT GEOTECHNICAL/ SOILS ENGINEER, GEOTECHNICAL/ SOILS ENGINEER TO PROVIDE AND FURNISH LETTER OF APPROVAL TO CITY.

LEGEND

EXISTING	PROPOSED	DESCRIPTION
---	---	PROPERTY LINE
F---	F---	FILL AREA LIMIT
C---	C---	CUT AREA LIMIT
102	102	CONTOUR
W---	W---	WATER LINE
SD---	SD---	STORM DRAIN PIPE (SOLID)
SS---	SS---	SANITARY SEWER PIPE
SUB---	SUB---	SUBDRAIN PIPE (PERFORATED)
OH e,T,IV	OH e,T,IV	OVERHEAD UTILITIES WITH POLE
G---	G---	GAS LINE
E---	E---	ELECTRIC LINE (UNDERGROUND)
JT---	JT---	JOINT TRENCH
SLV	SLV	STREET LIGHT VAULT
SSCO	SSCO	SANITARY SEWER CLEANOUT
●	●	SANITARY SEWER MANHOLE
⊙	⊙	STORM DRAIN MANHOLE
⊠	⊠	SURVEY CITY MONUMENT
⊛	⊛	ELECTROLIER
WM	WM	WATER METER
⊙	⊙	TREE WITH TRUNK
x102.23	102.23	6' WOODEN FENCE
○	○	SPOT ELEVATION
○	○	TREE PROTECTION FENCE
○	○	5' TALL CHAIN LINK
---	---	SWALE
▭	▭	AREA DRAIN/ INLET
→	→	OVERLAND RELEASE PATH
~	~	GRADE TO DRAIN, 2% MIN. AWAY FROM HOUSE 1% MIN. FROM PROPERTY LINE TO SWALE
⊗	⊗	(E) TREE TO BE REMOVE
⊠	⊠	DOWN-SPOUT
○	○	POP-UP EMITTER

EARTHWORK ESTIMATE

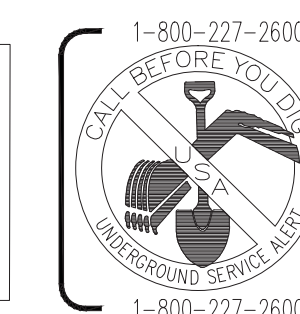
VOLUME OF FILL	246 CY
RETAINING WALL FOOTING EXCAVATION	5 CY
TOTAL FILL	246 CY
TOTAL CUT	5 CY
TOTAL EARTHWORK QUANTITIES	241 CY

NOTE:

- OBTAIN ALL THE PERMITS REQUIRED, INCLUDING CALIFORNIA COASTAL COMMISSION AND LOCAL GOVERNMENT AGENCIES PRIOR TO START OF ANY CONSTRUCTION WORK.
- ALL THE ASPECT OF THE SITE WORK SHALL BE OBSERVED BY THE PROJECT GEOTECHNICAL ENGINEER OR HIS AUTHORIZED REPRESENTATIVES.

NOTICE TO CONTRACTORS

CONTRACTOR TO NOTIFY U.S.A. (UNDERGROUND SERVICE ALERT) AT 800-227-2600 A MINIMUM OF 2 WORKING DAYS BEFORE BEGINNING UNDERGROUND WORK FOR VERIFICATION OF THE LOCATION AND DEPTH OF UNDERGROUND UTILITIES.



GRADING AND DRAINAGE PLANS
 NEW PARKING LOT
 8150 CABRILLO HWY MONTARA CA, 94037
 COVER SHEET

Date: 10/1/2013
Scale: NTS
Prepared by: V.G./A.A.
Checked by: S.R.
Job #: 212018

Sheet: 1 OF 5
C-1



ENGINEERS
CIVIL ENGINEERS

1534 CAROL LANE
LOS ALTOS, CA 94024
TEL: (650) 941-8055
FAX: (650) 941-8755

OWNER:

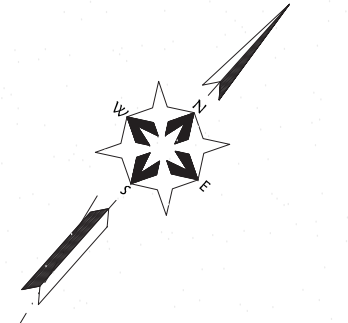
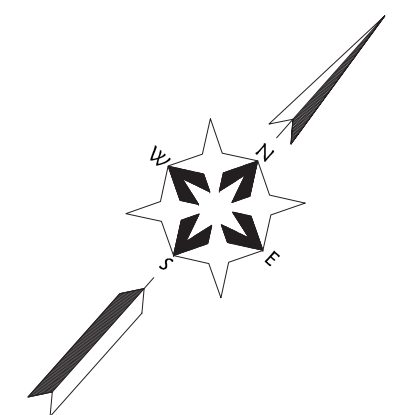
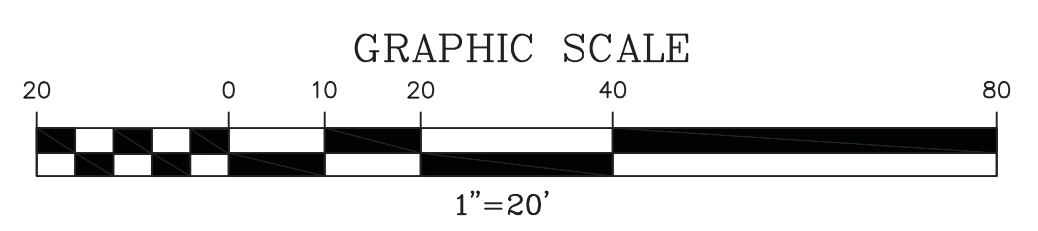
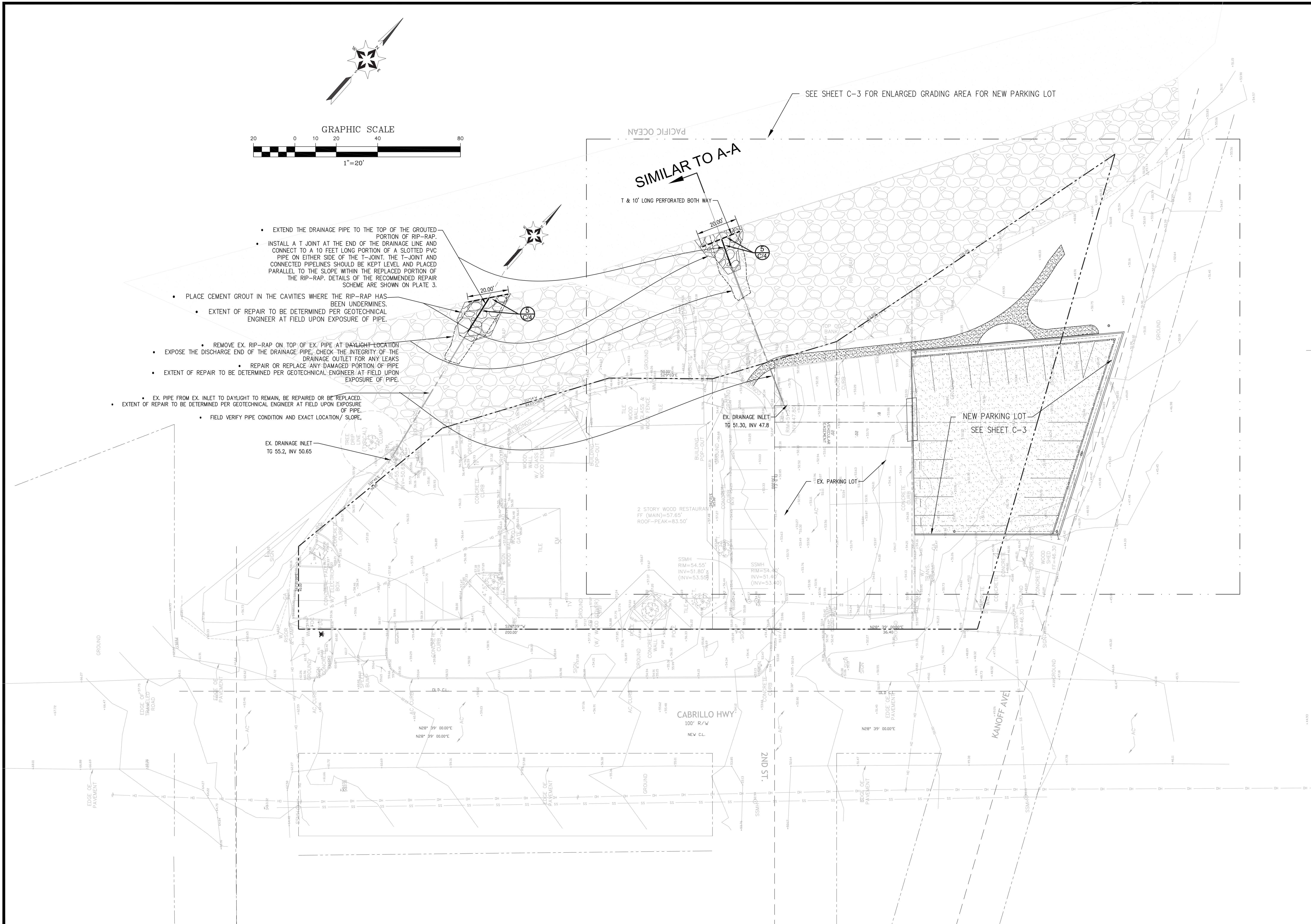
COPYRIGHT © 2013
SMP ENGINEERS
CIVIL ENGINEERS

GRADING AND DRAINAGE PLANS
NEW PARKING LOT
8150 CABRILLO HWY MONTARA CA, 94037
SITE PLAN

Revisions:

Date: 10/1/2013
Scale: 1"=20'
Prepared by: V.G./A.A.
Checked by: S.R.
Job #: 212018

Sheet: 2OF 5
C-2



- EXTEND THE DRAINAGE PIPE TO THE TOP OF THE GROUTED PORTION OF RIP-RAP.
- INSTALL A T JOINT AT THE END OF THE DRAINAGE LINE AND CONNECT TO A 10 FEET LONG PORTION OF A SLOTTED PVC PIPE ON EITHER SIDE OF THE T-JOINT. THE T-JOINT AND CONNECTED PIPELINES SHOULD BE KEPT LEVEL AND PLACED PARALLEL TO THE SLOPE WITHIN THE REPLACED PORTION OF THE RIP-RAP. DETAILS OF THE RECOMMENDED REPAIR SCHEME ARE SHOWN ON PLATE 3.
- PLACE CEMENT GROUT IN THE CAVITIES WHERE THE RIP-RAP HAS BEEN UNDERMINED.
- EXTENT OF REPAIR TO BE DETERMINED PER GEOTECHNICAL ENGINEER AT FIELD UPON EXPOSURE OF PIPE.
- REMOVE EX. RIP-RAP ON TOP OF EX. PIPE AT DAYLIGHT LOCATION.
- EXPOSE THE DISCHARGE END OF THE DRAINAGE PIPE, CHECK THE INTEGRITY OF THE DRAINAGE OUTLET FOR ANY LEAKS.
- REPAIR OR REPLACE ANY DAMAGED PORTION OF PIPE.
- EXTENT OF REPAIR TO BE DETERMINED PER GEOTECHNICAL ENGINEER AT FIELD UPON EXPOSURE OF PIPE.
- EX. PIPE FROM EX. INLET TO DAYLIGHT TO REMAIN, BE REPAIRED OR BE REPLACED.
- EXTENT OF REPAIR TO BE DETERMINED PER GEOTECHNICAL ENGINEER AT FIELD UPON EXPOSURE OF PIPE.
- FIELD VERIFY PIPE CONDITION AND EXACT LOCATION / SLOPE.

SEE SHEET C-3 FOR ENLARGED GRADING AREA FOR NEW PARKING LOT

SIMILAR TO A-A

T & 10' LONG PERFORATED BOTH WAY

EX. DRAINAGE INLET
TG 51.30, INV 47.8

EX. DRAINAGE INLET
TG 55.2, INV 50.65

NEW PARKING LOT
SEE SHEET C-3

EX. PARKING LOT

2 STORY WOOD RESTAURANT
FF (MAIN)=57.65'
ROOF-PEAK=63.50'

SSMH
RIM=54.55'
INV=51.80'
(INV=53.55')

SSMH
RIM=54.55'
INV=51.80'
(INV=53.55')

CABRILLO HWY
100' R/W
NEW CL.

KANOFF AVE

2ND ST.



ENGINEERS
CIVIL ENGINEERS

1534 CAROB LANE
LOS ALTOS, CA 94024
TEL: (650) 941-8055
FAX: (650) 941-8755

OWNER:

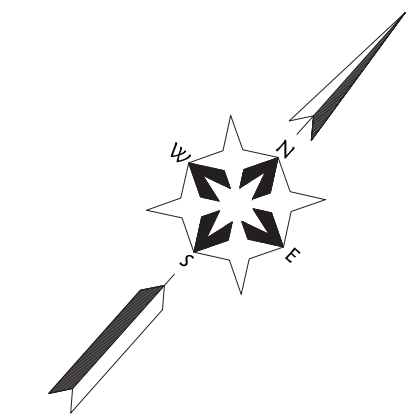
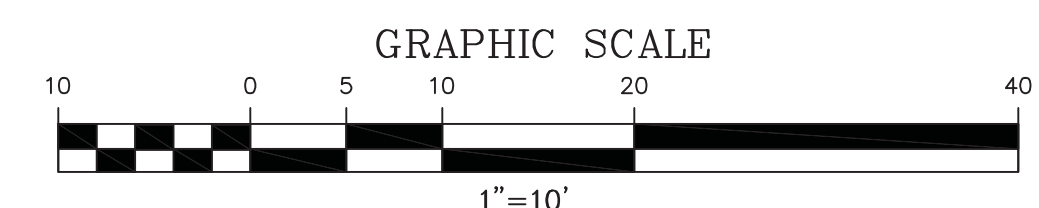
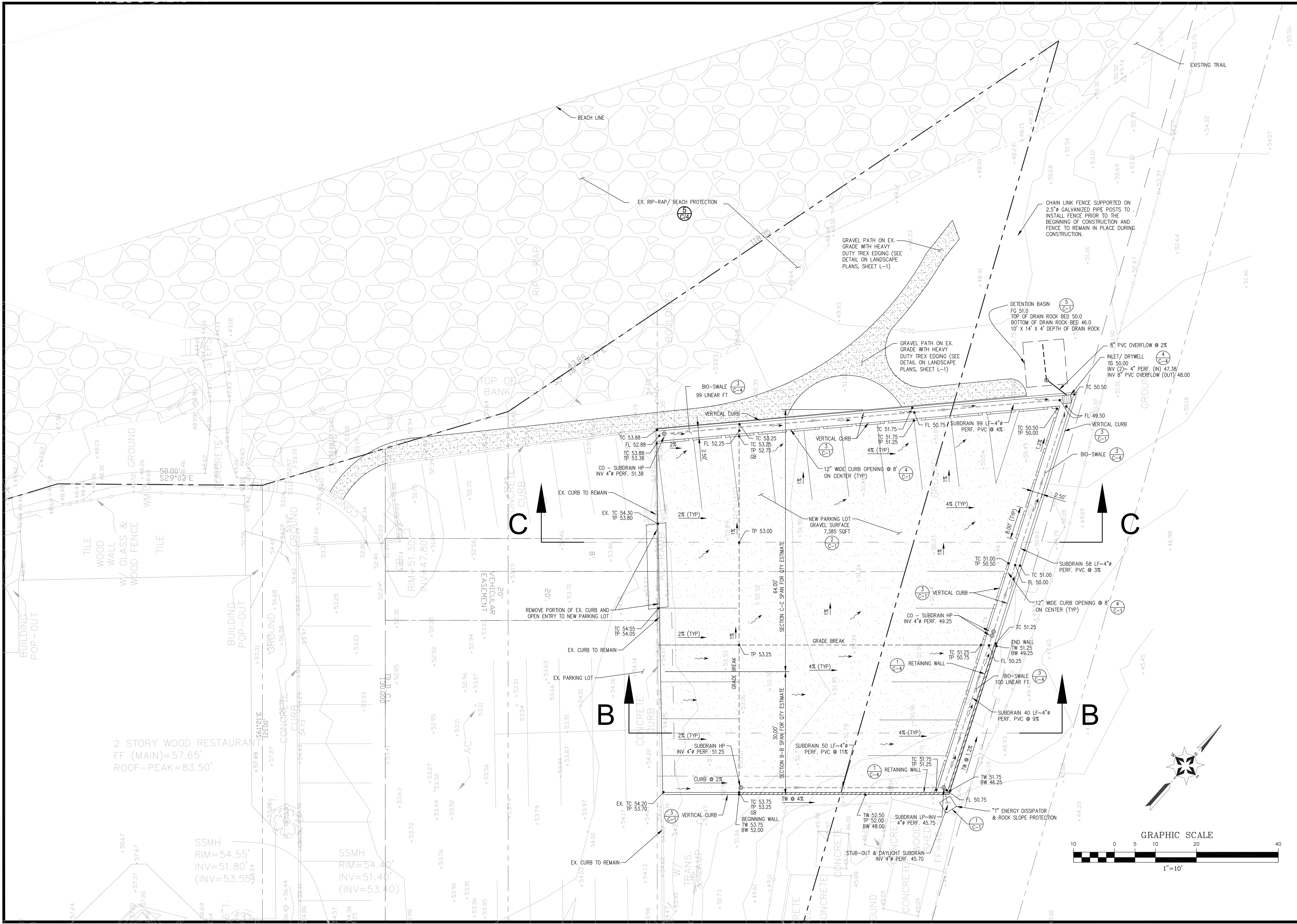
COPYRIGHT © 2013
SMP ENGINEERS
CIVIL ENGINEERS

GRADING AND DRAINAGE PLANS
NEW PARKING LOT
8150 CABRILLO HWY MONTARA CA, 94037
GRADING AND DRAINAGE PLAN

Revisions:

Date: 10/1/2013
Scale: 1"=10'
Prepared by: V.G./A.A.
Checked by: S.R.
Job #: 212018

Sheet: 3 OF 5
C-3

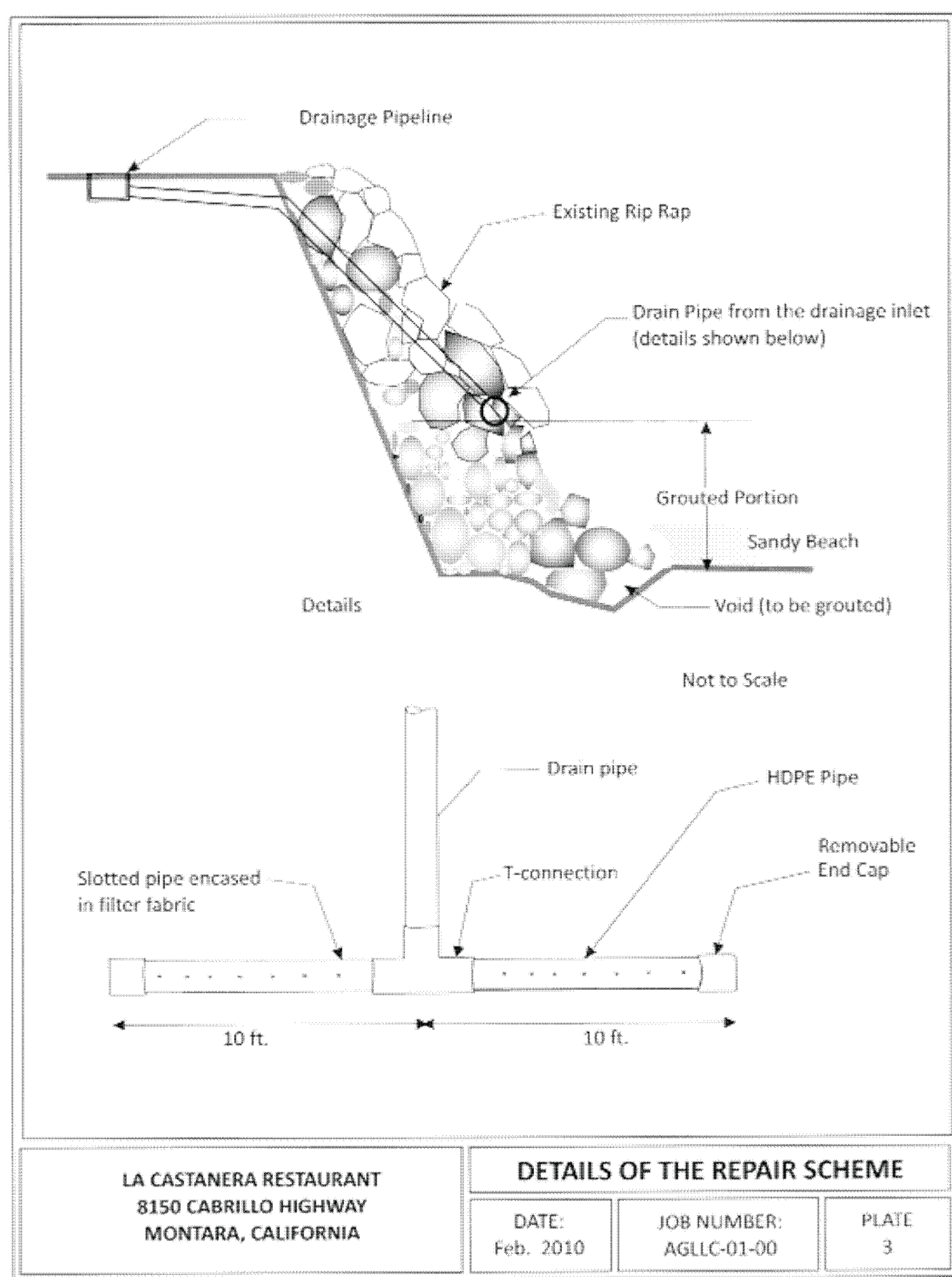


2 STORY WOOD RESTAURANT
FF (MAIN)=57.65'
ROOF-PEAK=83.50'

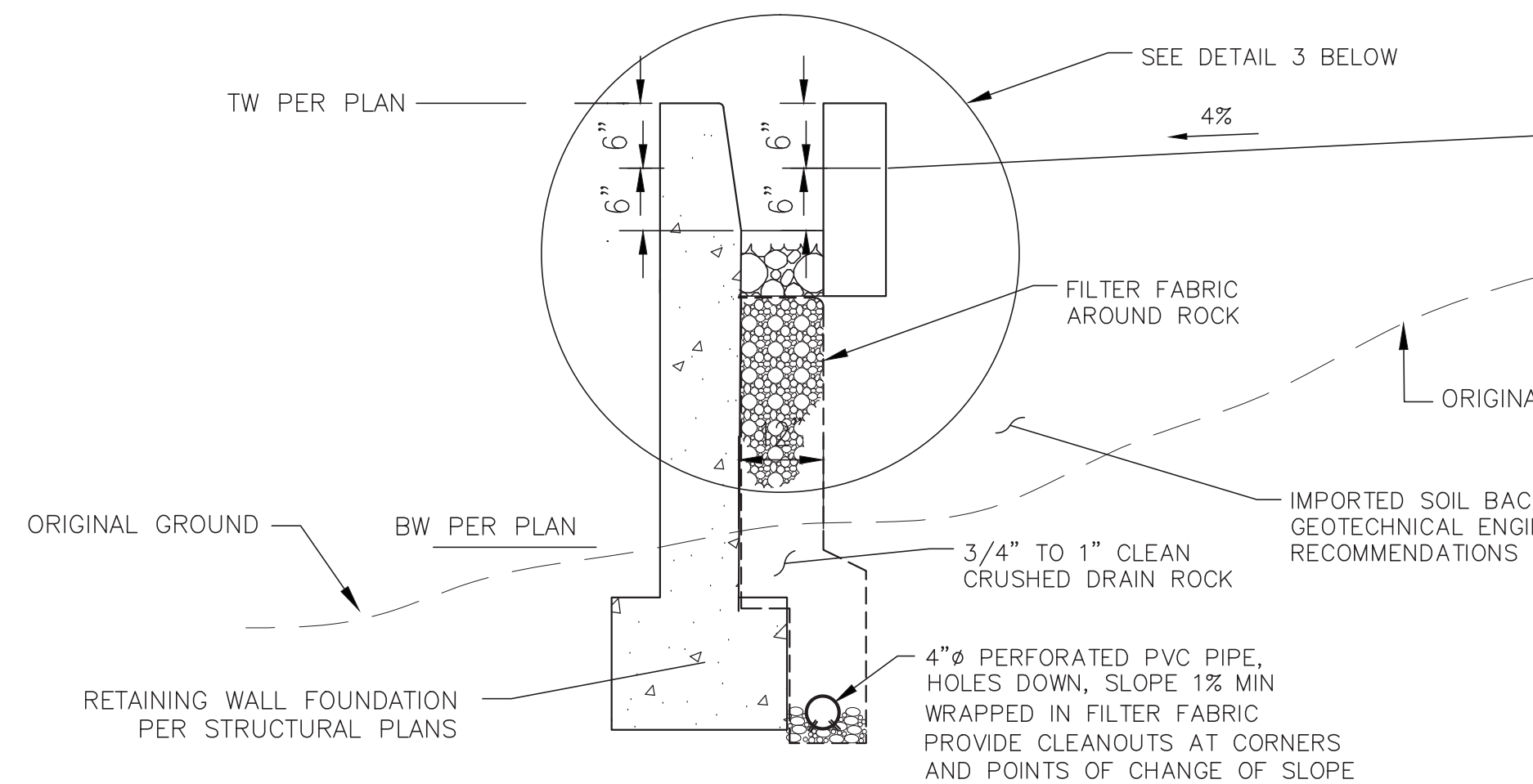
SSMH
RIM=54.55'
INV=51.80'
(INV=53.55)

SSMH
RIM=54.40'
INV=51.40'
(INV=53.40)

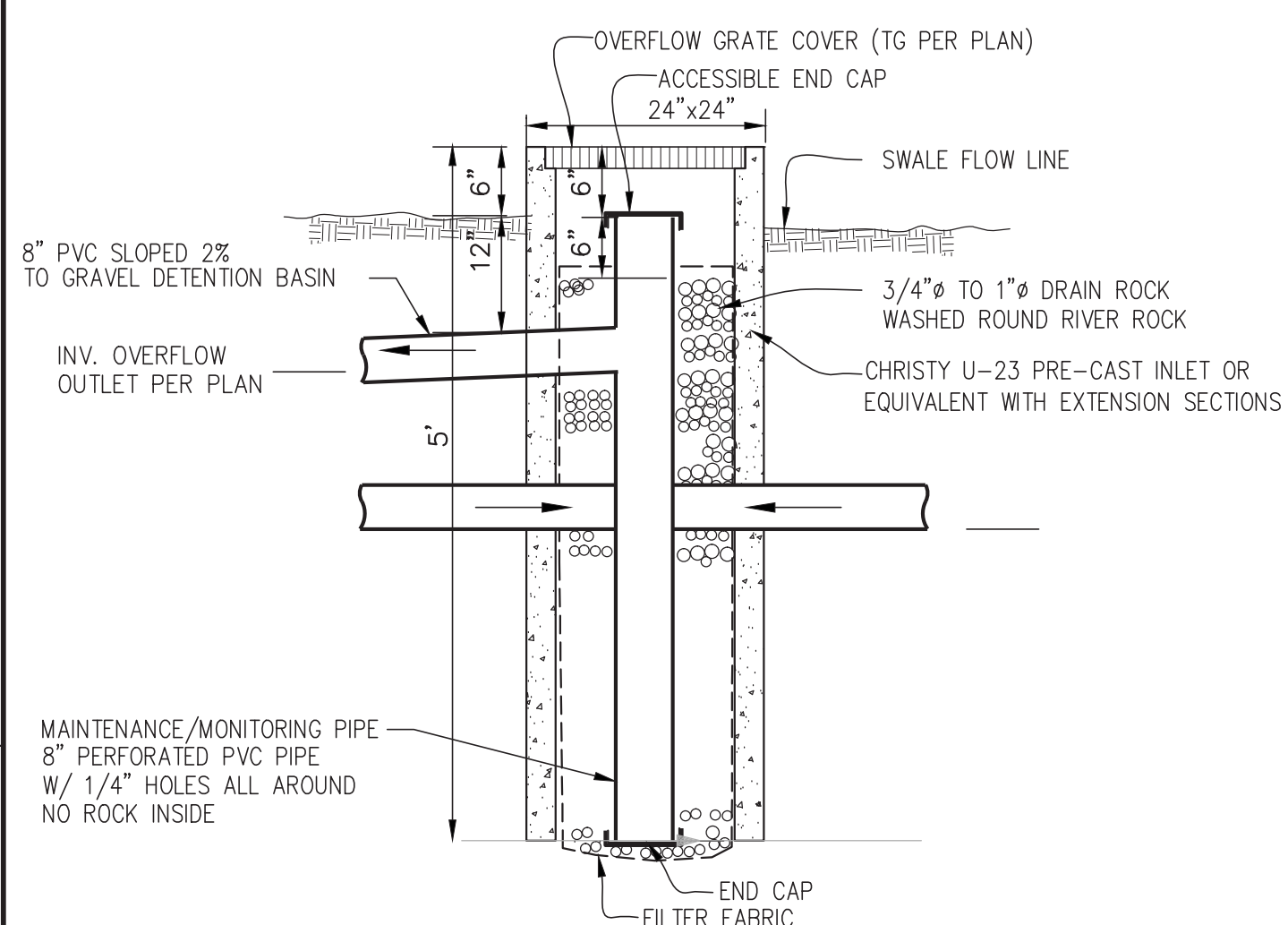
STORMWATER CONTROL DETAILS - PROVISION C.3



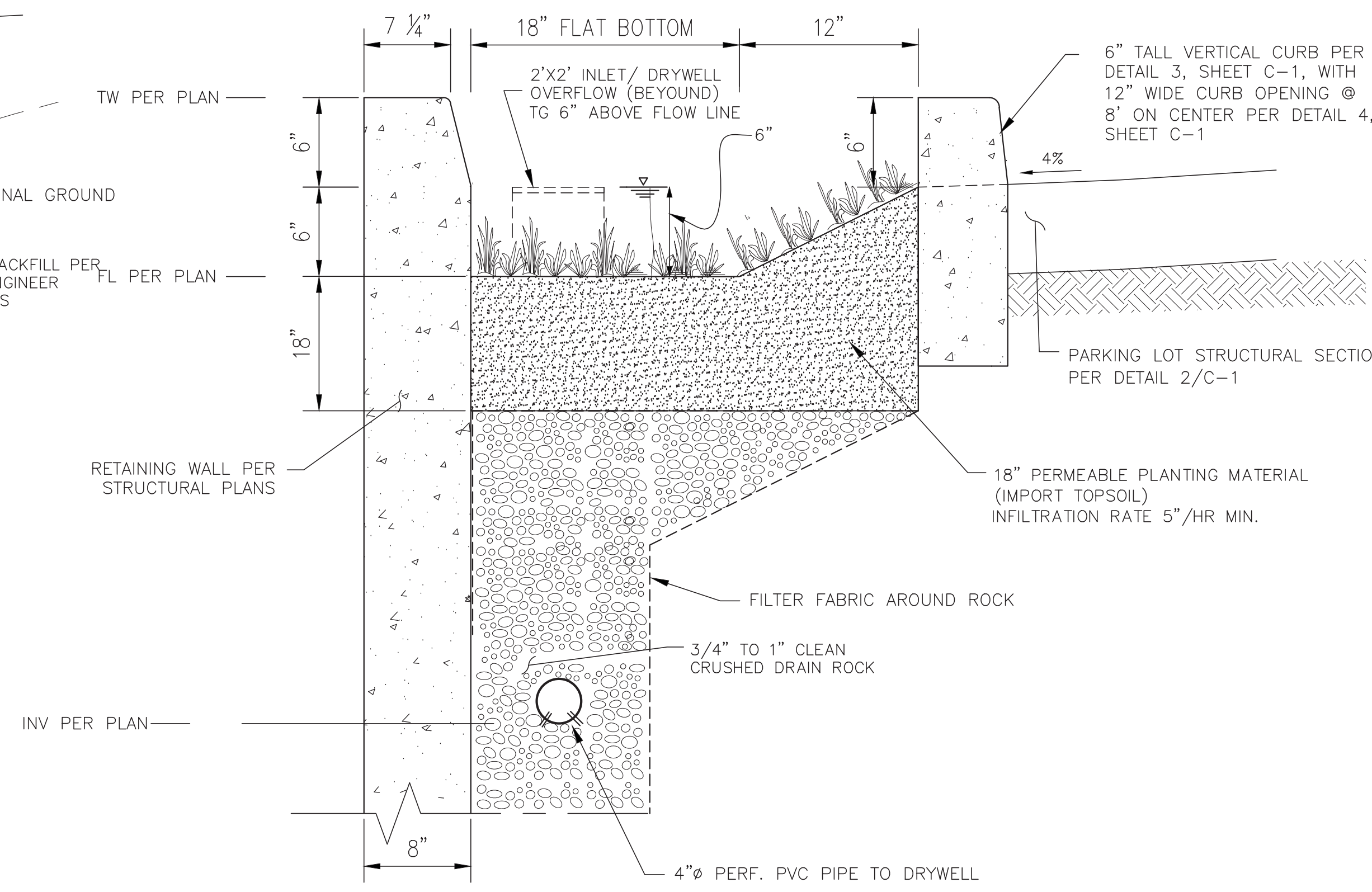
5 PLATE 3, TYPICAL DRAINAGE PIPE DAYLIGHT
 NTS



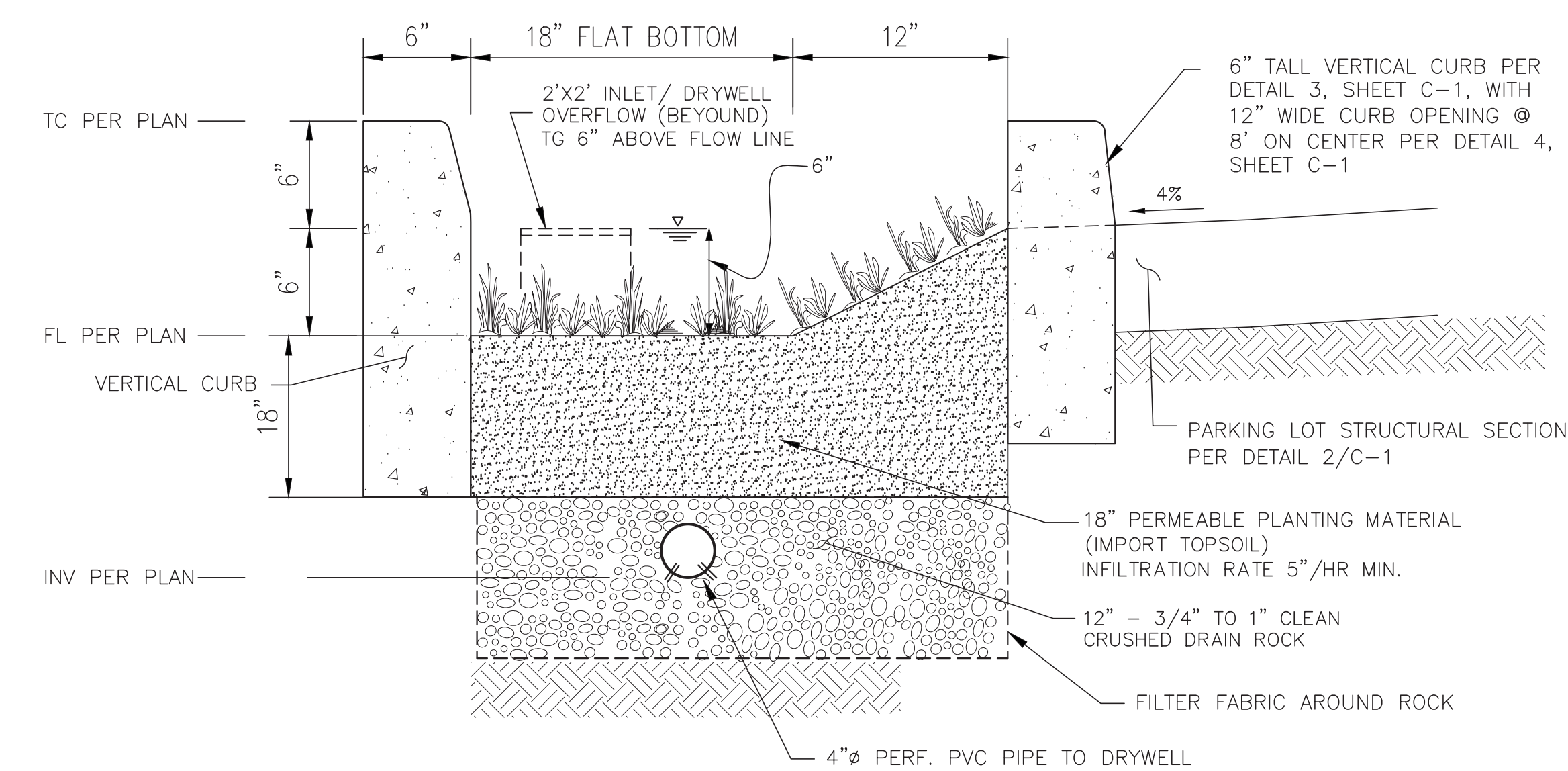
1 RETAINING WALL AND SUBDRAIN DETAIL
 NTS



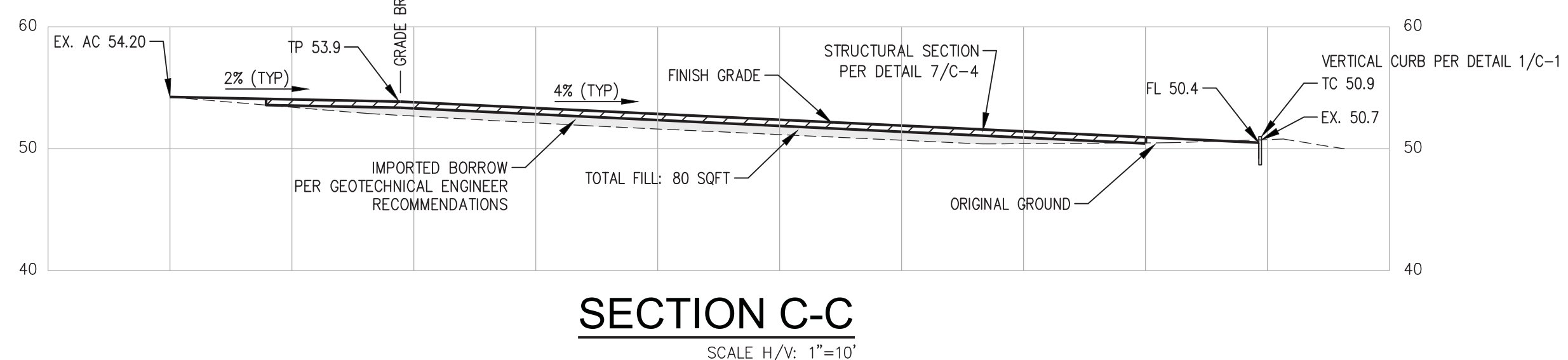
4 INLET / DRYWELL DETAIL
 NTS



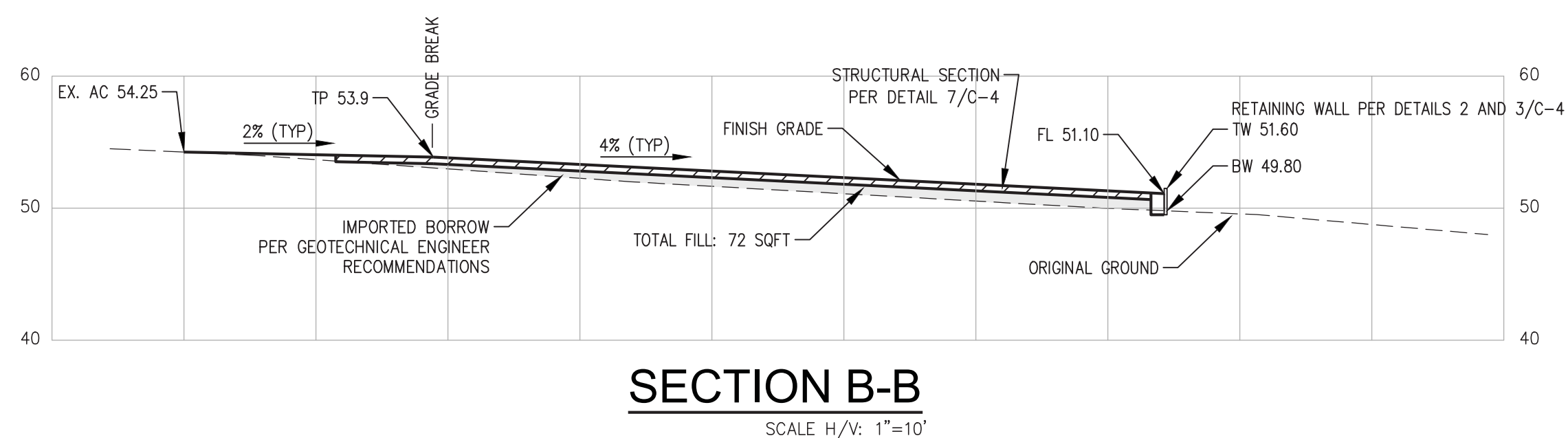
2 PARKING LOT OVERFLOW-GRASSY SWALE ALONG RETAINING WALL
 NTS



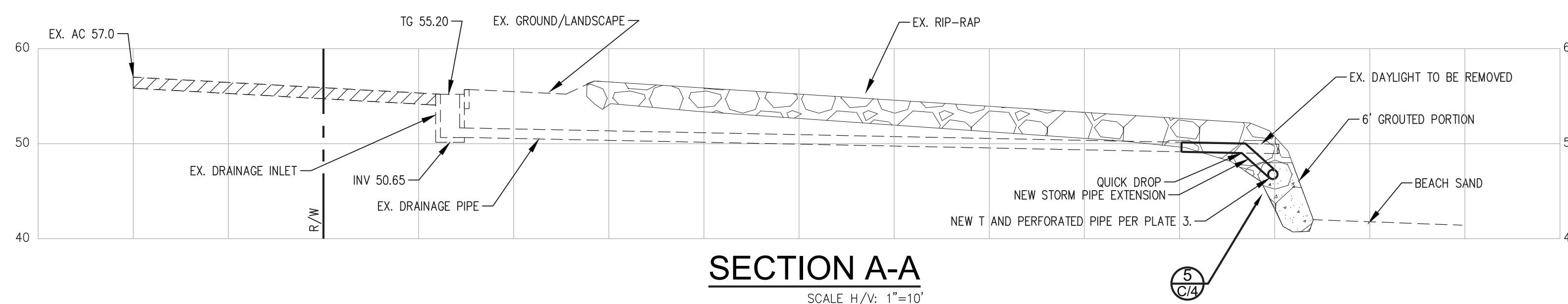
3 PARKING LOT OVERFLOW-GRASSY SWALE ALONG VERTICAL CURB
 NTS



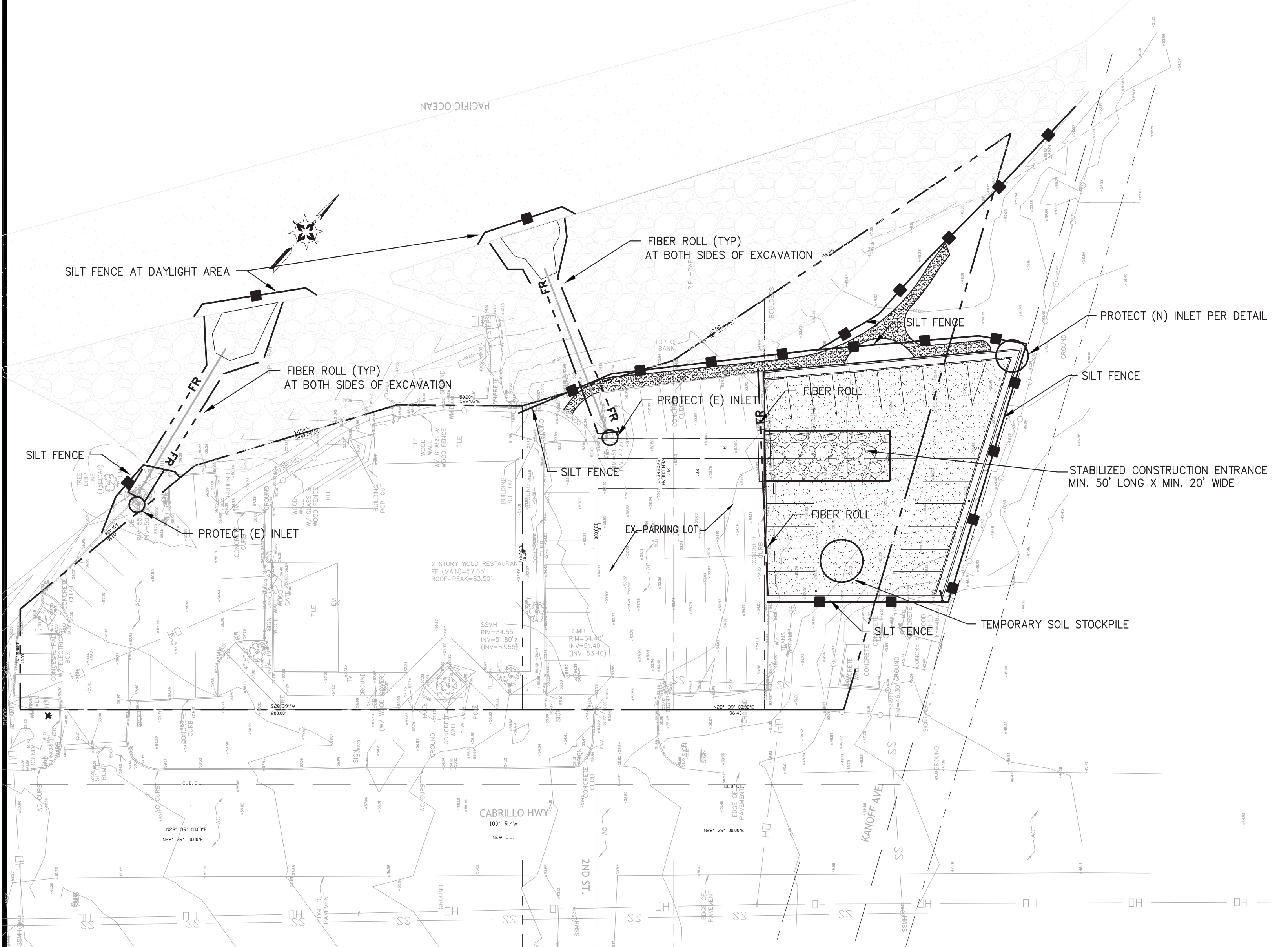
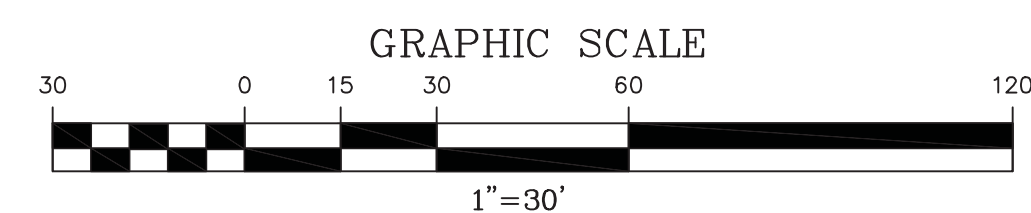
SECTION C-C
 SCALE H/V: 1"=10'



SECTION B-B
 SCALE H/V: 1"=10'

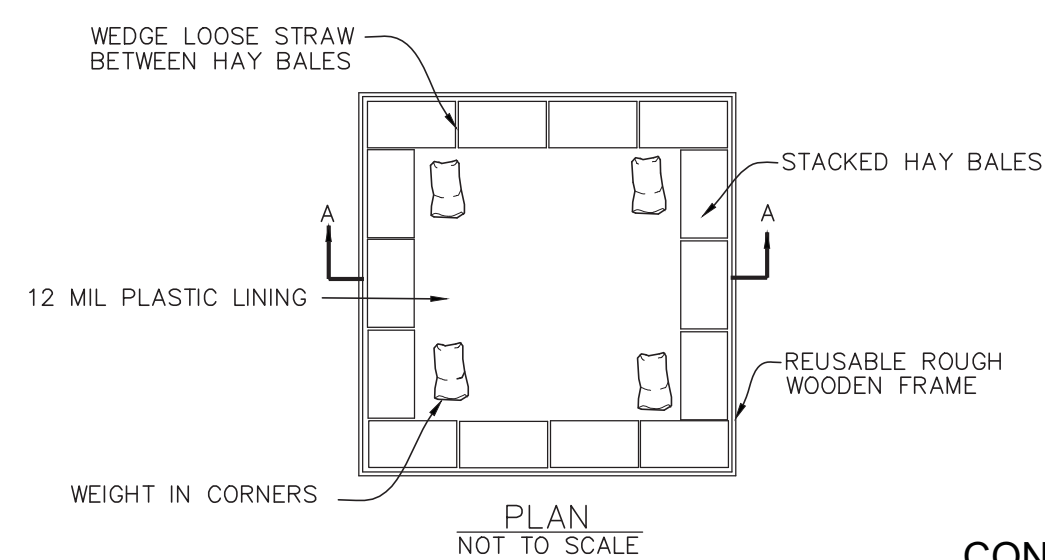


SECTION A-A
 SCALE H/V: 1"=10'

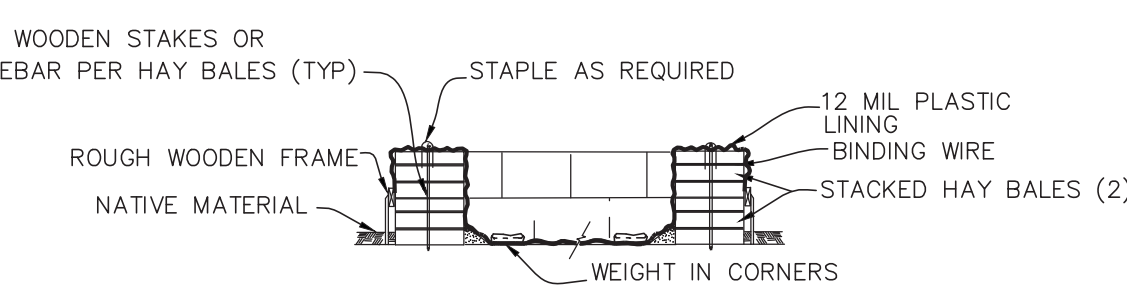


Silt fence Maintenance:

- Silt fence and filter barriers shall be inspected during and immediately after each rainfall, and at least daily during prolonged rainfall. Any required repairs shall be made immediately.
- Should the fabric on a silt fence or filter barrier decompose or become ineffective during the time the fence or barrier is still necessary, the fabric shall be replaced promptly.
- Sediment deposits shall be removed when deposits reach approximately one-third the height of the barrier.
- Any sediment deposits remaining in place after the silt fence or filter barrier is no longer required shall be dressed to conform with the existing grade, prepared, and seeded.
- Silt buildups must be removed when bulges develop in the fence regardless of depth of deposition.

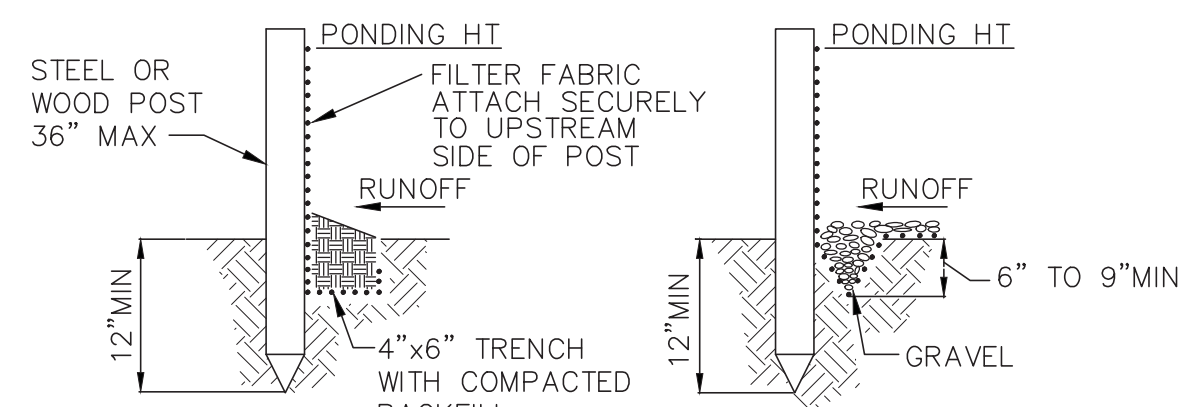
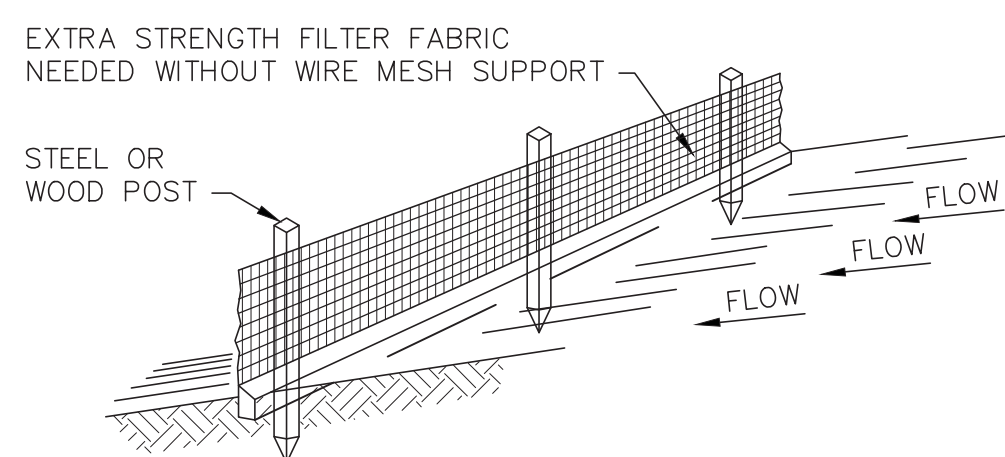


CONCRETE WASHOUT AREA
N.T.S.



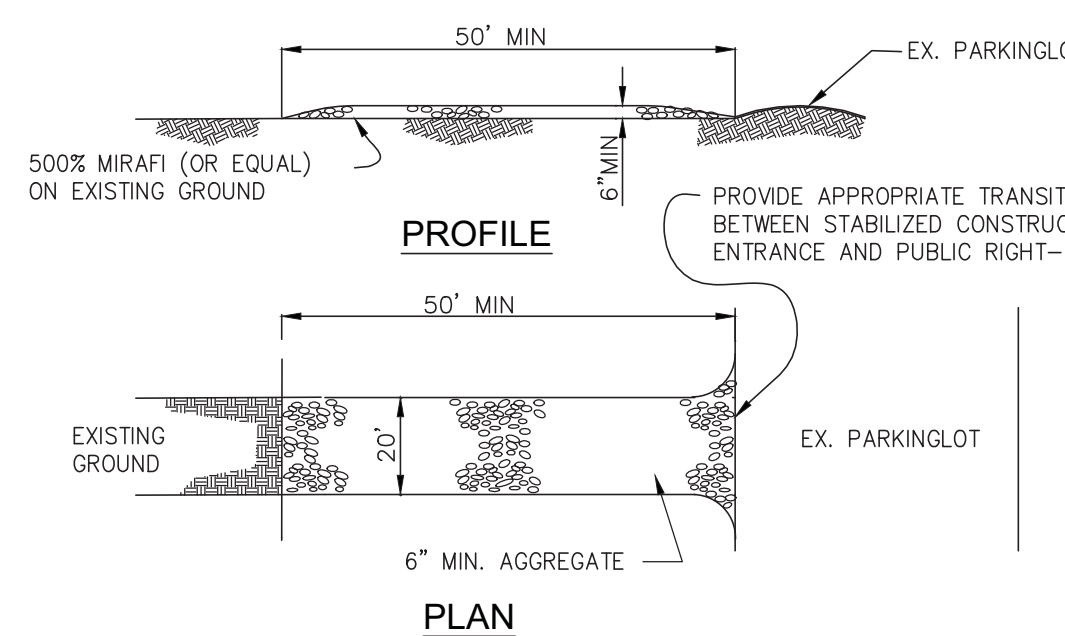
SECTION A-A
NOT TO SCALE

SILT FENCE



STANDARD DETAIL
TRENCH WITH NATIVE BACKFILL

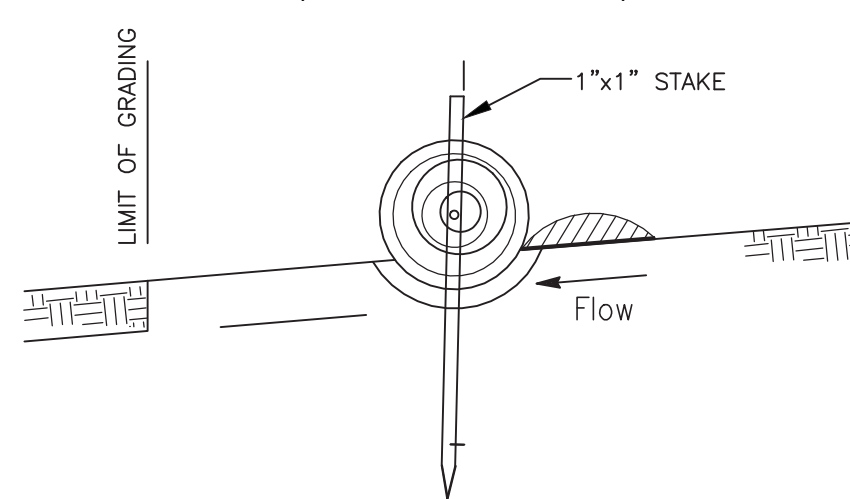
ALTERNATE DETAIL
TRENCH WITH GRAVEL



Maintenance

- The entrance shall be maintained in a condition that will prevent tracking or flowing sediment onto public rights-of-way. This may require periodic top dressing with additional stone as conditions demand, and repair and/or clean out any measures used to trap sediment.
- All sediment spilled, dropped, washed, or tracked onto public rights-of-way shall be removed immediately.
- When necessary, wheels shall be cleaned to remove sediment prior to entrance onto public rights-of-way. This shall be done at an area stabilized with crushed stone, which drains into an approved sediment trap or sediment basin.

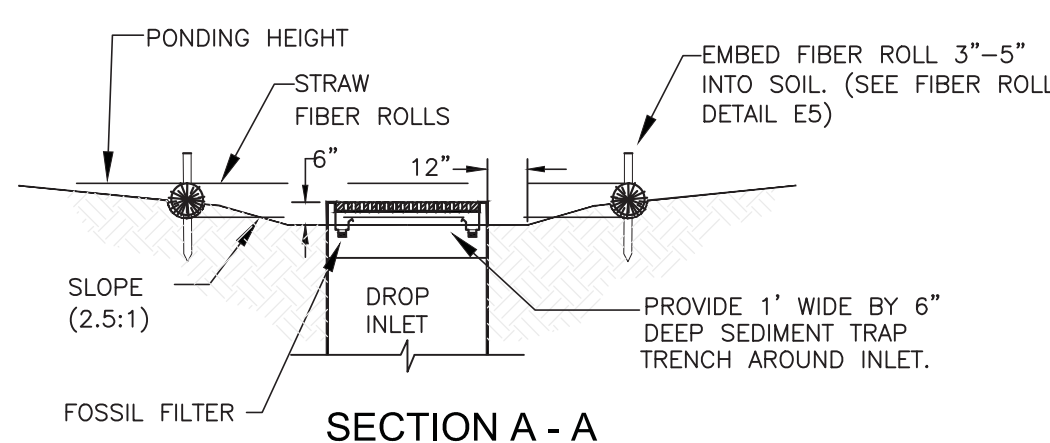
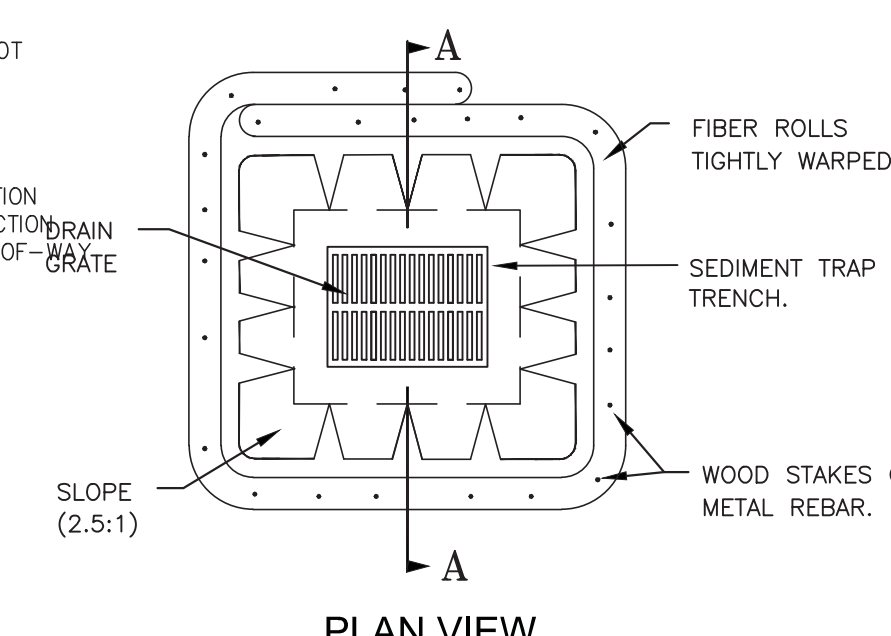
STABILIZED CONSTRUCTION ENTRANCE (TO BE MAINTAINED)



FIBER ROLL
N.T.S.

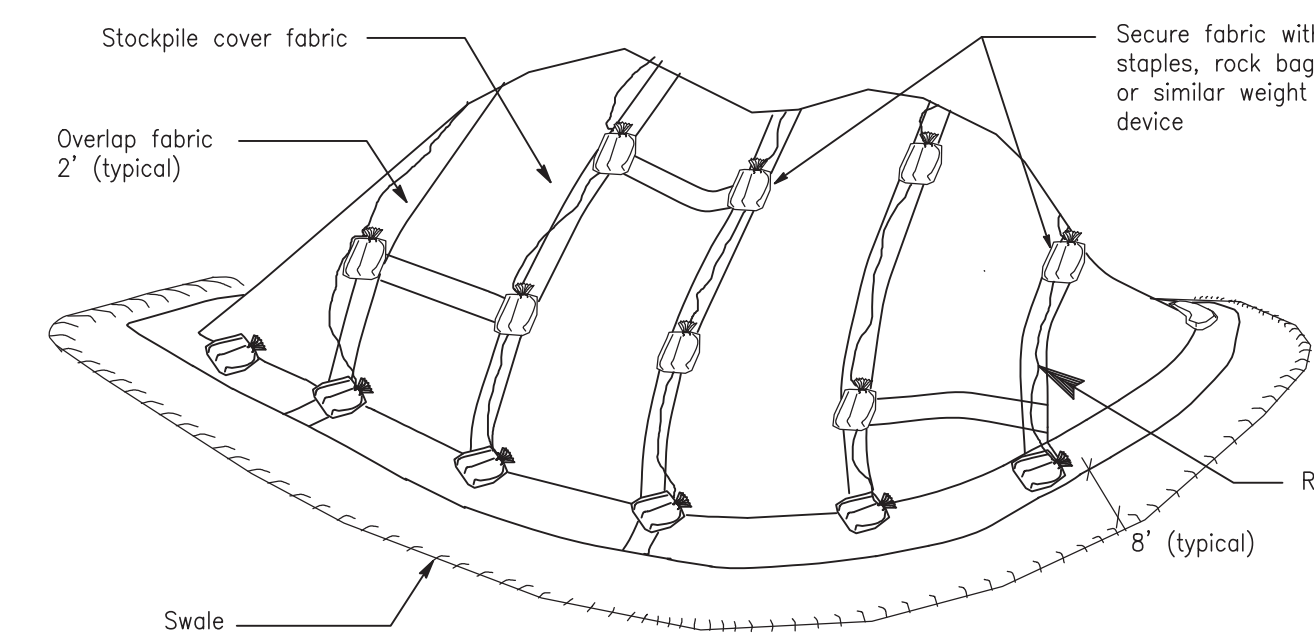
FIBER ROLL NOTES

1. Place fiber roll in key trench 3" deep and place excavated soil on uphill or flow side of the roll.
2. On slopes and hillsides, fiber rolls shall be abutted at the ends and not overlapped. Place alternate stakes on both sides of the roll every 6'.
3. Install fiber roll 12" from limit of grading

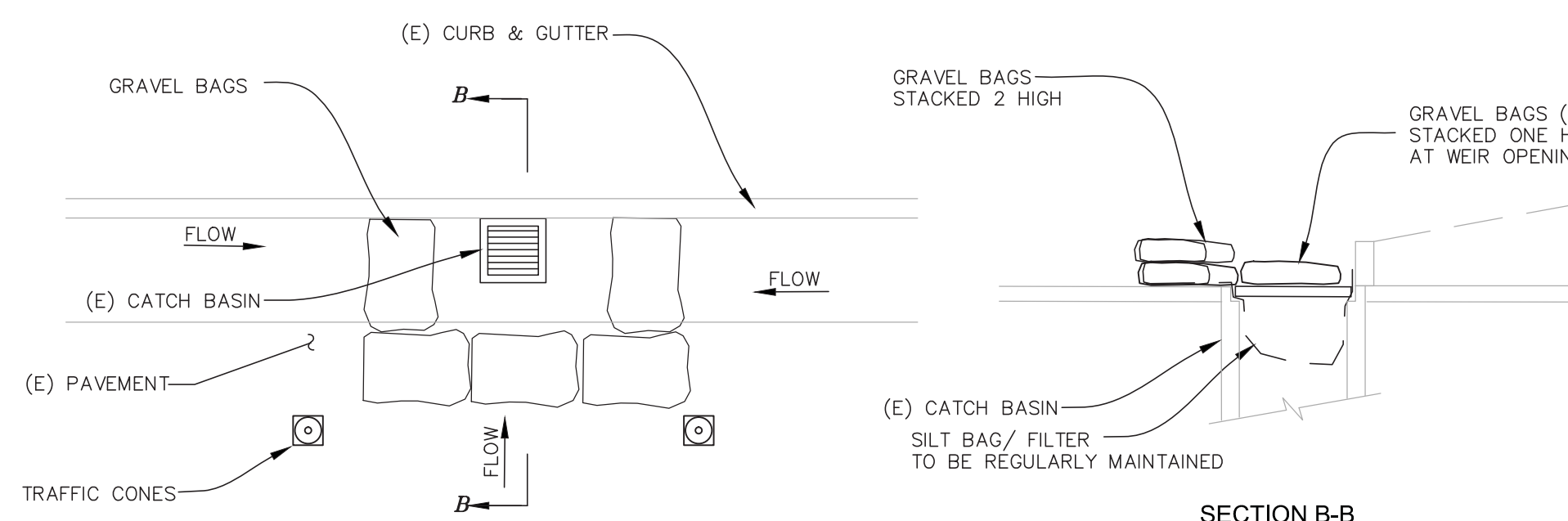


SECTION A-A

STORM INLET SEDIMENT TRAP-FIBER ROLLS
N.T.S.



PERSPECTIVE
TEMPORARY COVER ON STOCK PILE
N.T.S.



EXISTING DRAINAGE INLET PROTECTION
N.T.S.

EROSION AND SEDIMENT CONTROL NOTES AND MEASURES

1. The facilities shown on this Plan are designed to control Erosion and sediment during the rainy season, October 1ST to April 30TH. Facilities are to be operable prior to October 1 of any year. Grading operations during the rainy season, which leave denuded slopes shall be protected with erosion control measures immediately following grading on the slopes.
2. This plan covers only the first winter following grading with assumed site conditions as shown on the Erosion Control Plan. Prior to September 15, the completion of site improvement shall be evaluated and revisions made to this plan as necessary with the approval of the city engineer. Plans are to be resubmitted for city approval prior to September 1 of each subsequent year until site improvements are accepted by the city.
3. Construction entrances shall be installed prior to commencement of grading. All construction traffic entering onto the paved roads must cross the stabilized construction entranceways.
4. Contractor shall maintain stabilized entrance at each vehicle access point to existing paved streets. Any mud or debris tracked onto public streets shall be removed daily and as required by the city.
5. If hydroseeding is not used or is not effectively 10/10, then other immediate methods shall be implemented, such as Erosion control blankets, or a three-step application of: 1) seed, mulch, fertilizer 2) blown straw 3) tackifier and mulch.
6. Inlet protection shall be installed at open inlets to prevent sediment from entering the storm drain system. Inlets not used in conjunction with erosion control are to be blocked to prevent entry of sediment.
7. Lots with houses under construction will not be hydroseeded. Erosion protection for each lot with a house under construction shall conform to the Typical Lot Erosion Control Detail shown on this sheet.
8. This erosion and sediment control plan may not cover all the situations that may arise during construction due to unanticipated field conditions. Variations and additions may be made to this plan in the field. Notify the city representative of any field changes.
9. This plan is intended to be used for interim erosion and sediment control only and is not to be used for final elevations or permanent improvements.
10. Contractor shall be responsible for monitoring erosion and sediment control prior, during, and after storm events.

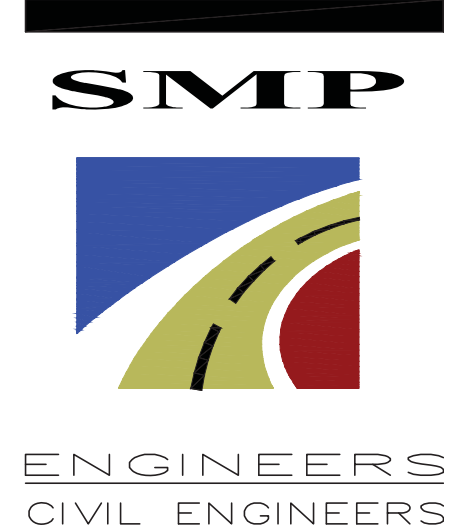
11. Reasonable care shall be taken when hauling any earth, sand, gravel, stone, debris, paper or any other substance over any public street, alley or other public place. Should any blow, spill, or track over and upon said public or adjacent private property, immediately remedy shall occur.
12. Sanitary facilities shall be maintained on the site.
10. During the rainy season, all paved areas shall be kept clear of earth material and debris. The site shall be maintained so as to minimize sediment laden runoff to any storm drainage systems, including existing drainage swales and water courses.
13. Construction operations shall be carried out in such a manner that erosion and water pollution will be minimized. State and local laws concerning pollution abatement shall be complied with.
14. Contractors shall provide dust control as required by the appropriate federal, state, and local agency requirements.
13. With the approval of the city inspector, erosion and sediment controls may be removed after areas above them have been stabilized.

MAINTENANCE NOTES

1. Maintenance is to be performed as follows:
 - A. Repair damages caused by soil erosion or construction at the end of each working day.
 - B. Swales shall be inspected periodically and maintained as needed.
 - C. Sediment traps, berms, and swales are to be inspected after each storm and repairs made as needed.
 - D. Sediment shall be removed and sediment traps restored to its original dimensions when sediment has accumulated to a depth of one foot.
 - E. Sediment removed from trap shall be deposited in a suitable area and in such a manner that it will not erode.
 - F. Rills and gullies must be repaired.
2. All existing drainage inlets on Street within the limit of the project shall be protected with sand bags during construction. See detail. Sand bag inlet protection shall be cleaned out whenever sediment depth is one half the height of one sand bag.
3. Existing concrete ditch sediment trap shall be cleaned out routinely during construction.

Attachment D

- NOTES:**
1. PLACE FIBER ROLLS AROUND THE INLET CONSISTENT WITH BASIN SEDIMENT BARRIER DETAIL ON THIS SHEET. FIBER ROLLS ARE TUBES MADE FROM STRAW BOUND W/ PLASTIC NETTING. THEY ARE APPROX. 8" DIA. AND 20 - 30 FT. LONG.
 2. FIBER ROLL INSTALLATION REQUIRES THE PLACEMENT AND SECURE STAKING OF THE FIBER ROLL IN A TRENCH, 3" DEEP, DUG ON CONTOUR. RUNOFF MUST NOT BE ALLOWED TO RUN UNDER OR AROUND FIBER ROLL.
 3. THE TOP OF THE STRUCTURE (PONDING HEIGHT) MUST BE WELL BELOW THE GROUND ELEVATION DOWNSLOPE TO PREVENT RUNOFF FROM BY-PASSING THE INLET. EXCAVATION OF A BASIN ADJACENT TO THE DROP INLET OR A TEMPORARY DIKE ON THE DOWNSLOPE OF THE STRUCTURE MAY BE NECESSARY.
 4. FOSSIL FILTERS SHALL BE INCORPORATED IN ALL CATCH BASINS AND FIELD INLETS 24" AND LARGER AND SHALL BE INSTALLED PER MANUFACTURER SPECIFICATIONS. FOSSIL FILTERS ARE AVAILABLE FROM KRISTAR ENTERPRISES INC., 422 LARKFIELD CENTER, SUITE 271, SANTA ROSA, CA 95403, PHONE (800) 579-8819.



1534 CAROL LANE
LOS ALTOS, CA 94024
TEL: (650) 941-8055
FAX: (650) 941-8755

OWNER:

COPYRIGHT © 2013
SMP ENGINEERS
CIVIL ENGINEERS

GRADING AND DRAINAGE PLANS
NEW PARKING LOT
8150 CABRILLO HWY MONTARA CA, 94037
EROSION CONTROL PLAN

Revisions:

Date: 10/1/2013
Scale: 1"=30'
Prepared by: V.G./A.A.
Checked by: S.R.
Job #: 212018

Sheet:

5OF 5
C-5