



Ann M. Stillman
Director

County Government Center
555 County Center, 5th Floor
Redwood City, CA 94063
650-363-4100 T
650-361-8220 F
www.smcgov.org

August 21, 2023

COUNTY OF SAN MATEO

2023 SLIP-OUT REPAIR NEAR 2180 HIGGINS CANYON ROAD PROJECT

**COUNTY PROJECT NO. 08H21
FEDERAL-AID PROJECT NO. FEMA DR-4683-DR-CA
CAL OES NO. 081-00000
PROJECT FILE NO. E5083**

ADDENDUM NO. 1

TO ALL PLAN HOLDERS:

The following **Addendum No. 1** to the above referenced project, dated July 28, 2023, shall be included in the project plans and specifications.

1. Traffic maintenance notes on plan sheet G-102 have been revised:

Replace plan sheet G-102 with plan sheet G-102 (rev1).

2. Pile cap details for MSE (outboard) wall on plan sheets C-402 and C-403 have been revised:

Replace plan sheets C-402 and C-403 with plan sheet C-402 (rev1) and C-403 (rev1).

3. The Engineer's Estimate and bid items have been changed. Pages 5 to 7 of the NC (Notice to Contractor) Section and pages 5 to 6 of the PR (Proposal) Section shall be replaced in the Project Specifications:

**Replace pages 5 to 7 of the NC Section with page 5 (rev) to page 7 (rev).
Replace pages 5 to 6 of the PR Section with page 5 (rev) to page 6 (rev).**



To All Plan Holders

2023 Slip-Out Repair Near 2180 Higgins Canyon Road Project

Addendum No. 1

August 21, 2023

Page 2

4. Section 7-6, "Public Convenience," has been added to the Special Provisions. Page 40 of the SP (Special Provisions) Section and page ii of the TOC (Table of Contents) Section shall be replaced in the Project Specifications:

Replace page 40 of the SP Section with page 40 (rev).

Replace page ii of the TOC Section with page ii (rev).

5. The anticipated construction start date has been added. Page 41 of the SP (Special Provisions) Section shall be replaced in the Project Specifications:

Replace page 41 of the SP Section with page 41 (rev).

6. Section 12, "Traffic Maintenance," of the Special Provisions has been revised. Pages 52 to 54 of the SP (Special Provisions) Section shall be replaced in the Project Specifications:

Replace pages 52 to 54 of the SP Section with page 52 (rev) to page 54 (rev).

7. Section 17-1, "Remove Tree," of the Special Provisions has been revised. Page 72 of the SP (Special Provisions) Section shall be replaced in the Project Specifications:

Replace page 72 of the SP Section with page 72 (rev).

8. Section 19-1, "Rock Excavation," has been revised. Page 76 of the SP (Special Provisions) Section shall be replaced in the Project Specifications:

Replace page 76 of the SP Section with page 76 (rev).

9. Section 83, "Railing and Barriers," has been revised. Page 104 of the SP (Special Provisions) Section shall be replaced and a new page 104A added in the Project Specifications:

Replace page 104 of the SP Section with page 104 (rev).

New page 104A is added to the SP Section.

To All Plan Holders

2023 Slip-Out Repair Near 2180 Higgins Canyon Road Project

Addendum No. 1

August 21, 2023

Page 3

10. The page numbers of the FR (Federal Requirements for Federal-Aid Construction Projects) Section have been correctly labeled. Pages FR-1 and FR-2 of the FR Section shall be replaced and a new page FR-2 added in the Project Specifications:

**Replace page FR-1 of the FR Section with page FR-1A (rev).
Replace page FR-2 of the FR Section with page FR-1B (rev).
New page FR-2 is added to the FR Section.**

11. Federal Wage Rates (North County) dated 8/11/2023 has been added to the Project Specifications. Page iv of the TOC (Table of Contents) Section shall be replaced in the Project Specifications:

**Federal Wage Rates (North County) dated 8/11/2023 is added after page FR-2 of the Federal Requirements for Federal-Aid Construction Projects Section.
Replace page iv of the Table of Contents with page iv (rev).**

12. Supplemental geotechnical report dated 4/17/2023 by Cal Engineering & Geology has been included:

Supplemental geotechnical report (103 sheets total) dated 4/17/2023 is added.

Please sign and return the attached "Receipt of Addendum No. 1" form. The "Receipt of Addendum No. 1" form MUST be received with the bid package no later than 2:00 PM, Thursday, August 24, 2023 or the bid will NOT be considered. The Receipt of Addendum can also be emailed to Anthony Lum attention email at alum@smcgov.org, with carbon copy to wng@smcgov.org and azhang@smcgov.org.

All plan holders should check the project webpage for the latest updates on Request for Information. The project webpage address is:

<https://www.smcgov.org/publicworks/2023-slip-out-repair-near-2180-higgins-canyon-road-project>

To All Plan Holders
2023 Slip-Out Repair Near 2180 Higgins Canyon Road Project
Addendum No. 1
August 21, 2023

Page 4

If you have any questions or require additional information, please contact Alex Zhang, Wency Ng, or Anthony Lum of our office at (650) 363-4100. They can also be reached by e-mail at:

azhang@smcgov.org

wng@smcgov.org

alum@smcgov.org

Very truly yours,



Ann M. Stillman
Director of Public Works

AMS:KL:AL:WN:AZ

F:\Users\design\C3D\E5083000_2023 Slip-Out Repair Near 2180 Higgins Canyon Road\Bidding\Addendum\Addendum 1\Addendum No.1.docx

Encl.- "Receipt of Addendum No. 1" Form

Revised Plan Sheets G-102 (rev1), C-402 (rev1), C-403 (rev1)

Revised Pages ii (rev) and iv (rev) of the TOC Section

Revised Pages 5 (rev) to 7 (rev) of the NC Section

Revised Pages 5 (rev) and 6 (rev) of the PR Section

Revised Pages 40 (rev), 41 (rev), 52 (rev), 53 (rev), 54 (rev), 72 (rev), 76 (rev), and 104 (rev) of the SP Section

Revised Page FR-1A (rev) and FR-1B (rev) of the FR Section

New page 104A (rev) for the SP Section

New page FR-2 (rev) for the FR Section

Federal Wage Rates (North County) dated 8/11/2023

Supplemental geotechnical report (103 sheets) dated 4/17/2023

cc: Krzysztof Lisaj, Deputy Director, Engineering and Resource Protection
Anthony Lum, WOC Principal Civil Engineer, Engineering and Construction
Wency Ng, Senior Civil Engineer, Project Development and Design
Alex Zhang, Associate Civil Engineer, Project Development and Design



Ann M. Stillman
Director

County Government Center
555 County Center, 5th Floor
Redwood City, CA 94063
650-363-4100 T
650-361-8220 F
www.smcgov.org

August 21, 2023

COUNTY OF SAN MATEO

2023 SLIP-OUT REPAIR NEAR 2180 HIGGINS CANYON ROAD PROJECT

**COUNTY PROJECT NO. 08H21
FEDERAL-AID PROJECT NO. FEMA DR-4683-DR-CA
CAL OES NO. 081-00000
PROJECT FILE NO. E5083**

RECEIPT OF ADDENDUM NO. 1

I, _____, an
authorized representative for _____, have
received **Addendum No. 1** for the 2023 Slip-Out Repair Near 2180 Higgins Canyon Road
Project from an authorized representative of the County of San Mateo, which is to be
included in the Plans and Specifications for the above referenced project.

This form must be signed and received with the bid package ***no later than 2:00***
P.M., Thursday, August 24, 2023.

“Contractor”

(Print)

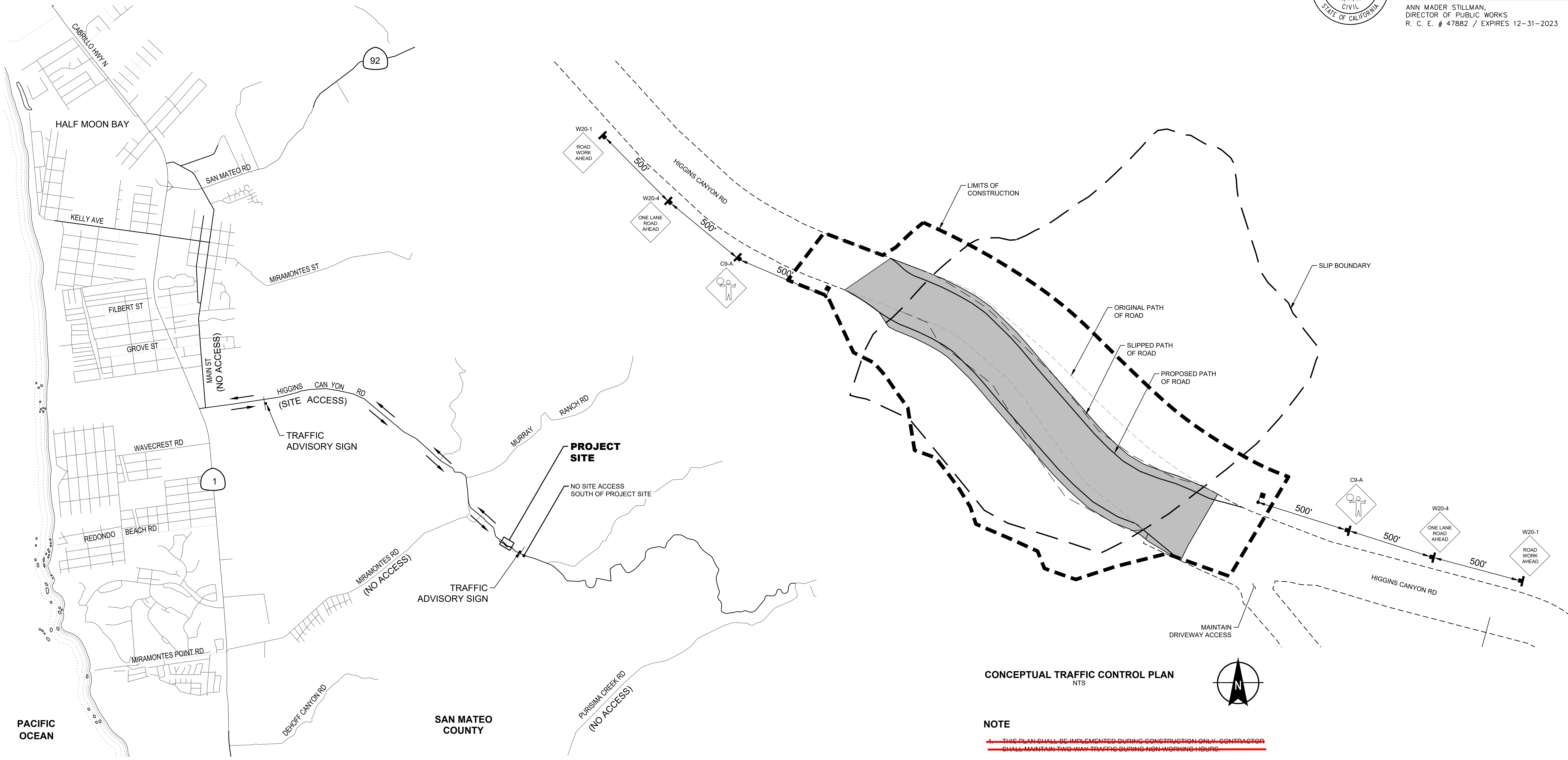
(Signature)

(Date)

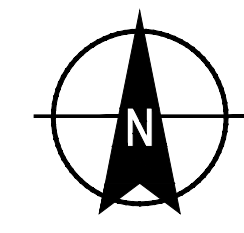




APPROVED:
 DATE: July 28, 2023
 ANN MADER STILLMAN,
 DIRECTOR OF PUBLIC WORKS
 R. C. E. # 47882 / EXPIRES 12-31-2023



CONCEPTUAL TRAFFIC CONTROL PLAN
 NTS

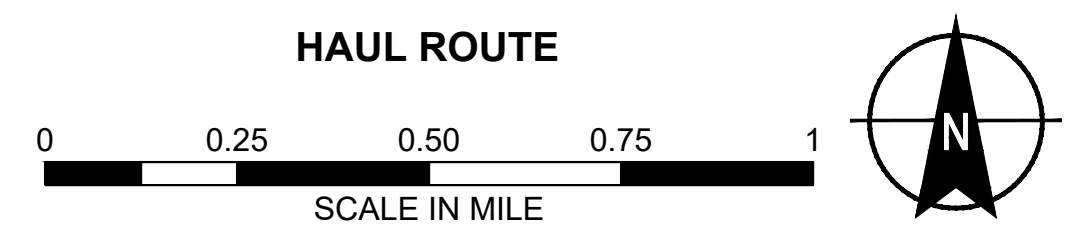


NOTE

- ~~1. THIS PLAN SHALL BE IMPLEMENTED DURING CONSTRUCTION ONLY. CONTRACTOR SHALL MAINTAIN TWO-WAY TRAFFIC DURING NON-WORKING HOURS.~~
- ~~2. CONTRACTOR SHALL SUBMIT A TRAFFIC CONTROL PLAN BASED ON THE LATEST EDITION OF THE C.A.MUTCD FOR REVIEW AND APPROVAL BY THE ENGINEER.~~
- 1. CONTRACTOR TO PROVIDE TRAFFIC CONTROLS IN ACCORDANCE WITH SECTION 12 OF THE SPECIFICATIONS.

PACIFIC OCEAN

SAN MATEO COUNTY



NOTE

- ~~4. THE CONTRACTOR SHALL KEEP ONE LANE ALONG HIGGINS CANYON ROAD OPEN AT ALL TIMES. THE CONTRACTOR SHALL PREPARE AND SUBMIT A TRAFFIC CONTROL PLAN TO BE REVIEWED AND APPROVED BY THE ENGINEER.~~



ISSUED FOR CONSTRUCTION

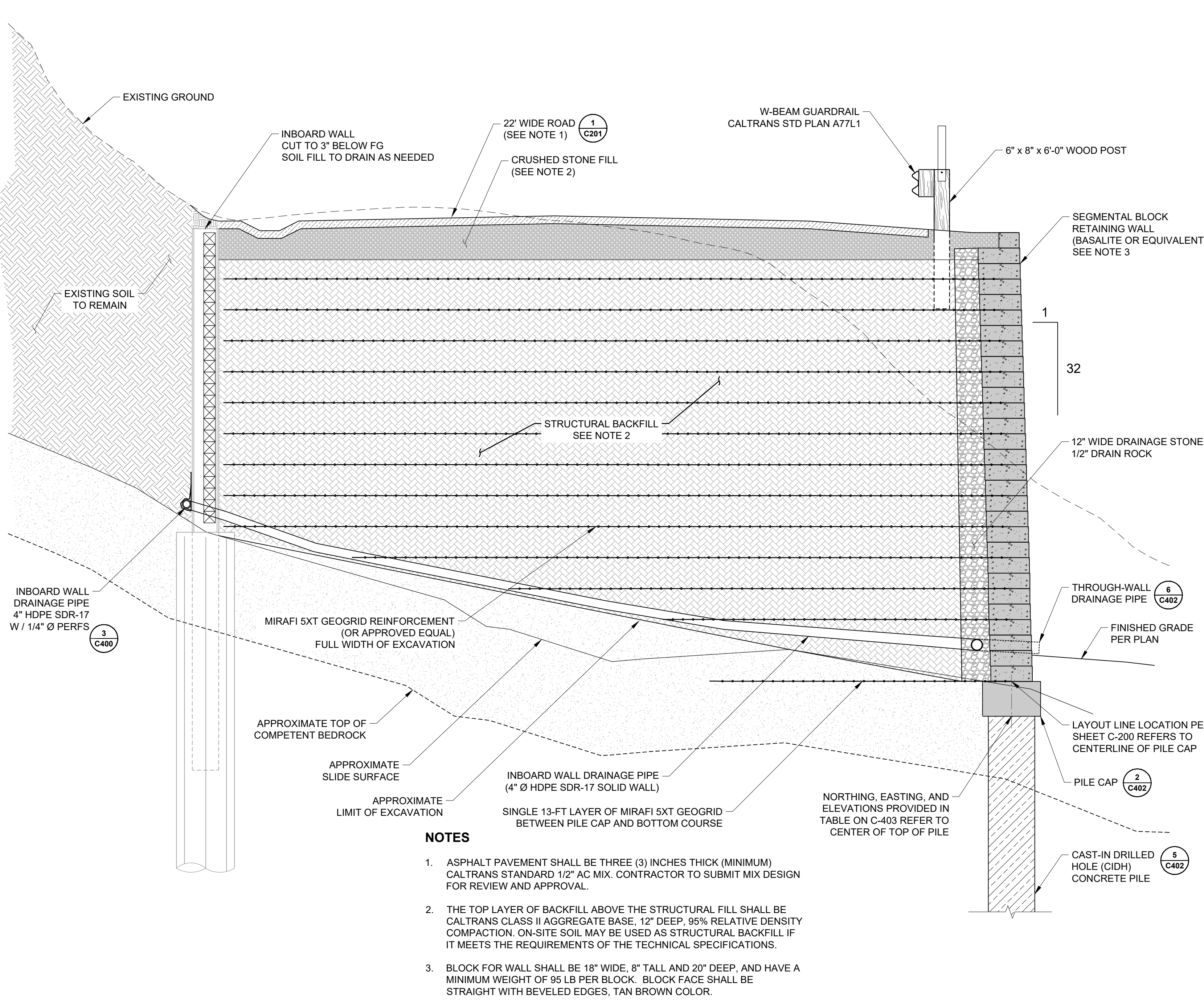
 HALEY ALDRICH HALEY & ALDRICH, INC. 785 Ygnacio Valley Road Walnut Creek, CA 94595 Tel: 925.935.9771 www.haleyaldrich.com PROJECT NO.: 0207686-001	REVISION 0 07/21/23 1 08/17/23	DATE DESIGNED BY: DPM DRAWN BY: KV CHECKED BY: SA	SLIP-OUT REPAIR 2180 HIGGINS CANYON ROAD TRAFFIC CONTROL PLAN AND HAUL ROUTE	SCALE: AS SHOWN DATE: JULY-2023 FILE NO.: 1/5083
	ANN MADER STILLMAN, DIRECTOR OF PUBLIC WORKS COUNTY SAN MATEO		555 COUNTY CENTER, 5th FLOOR REDWOOD CITY, CALIFORNIA 94063	

FOR REDUCED PLANS ORIGINAL SCALE IS IN INCHES

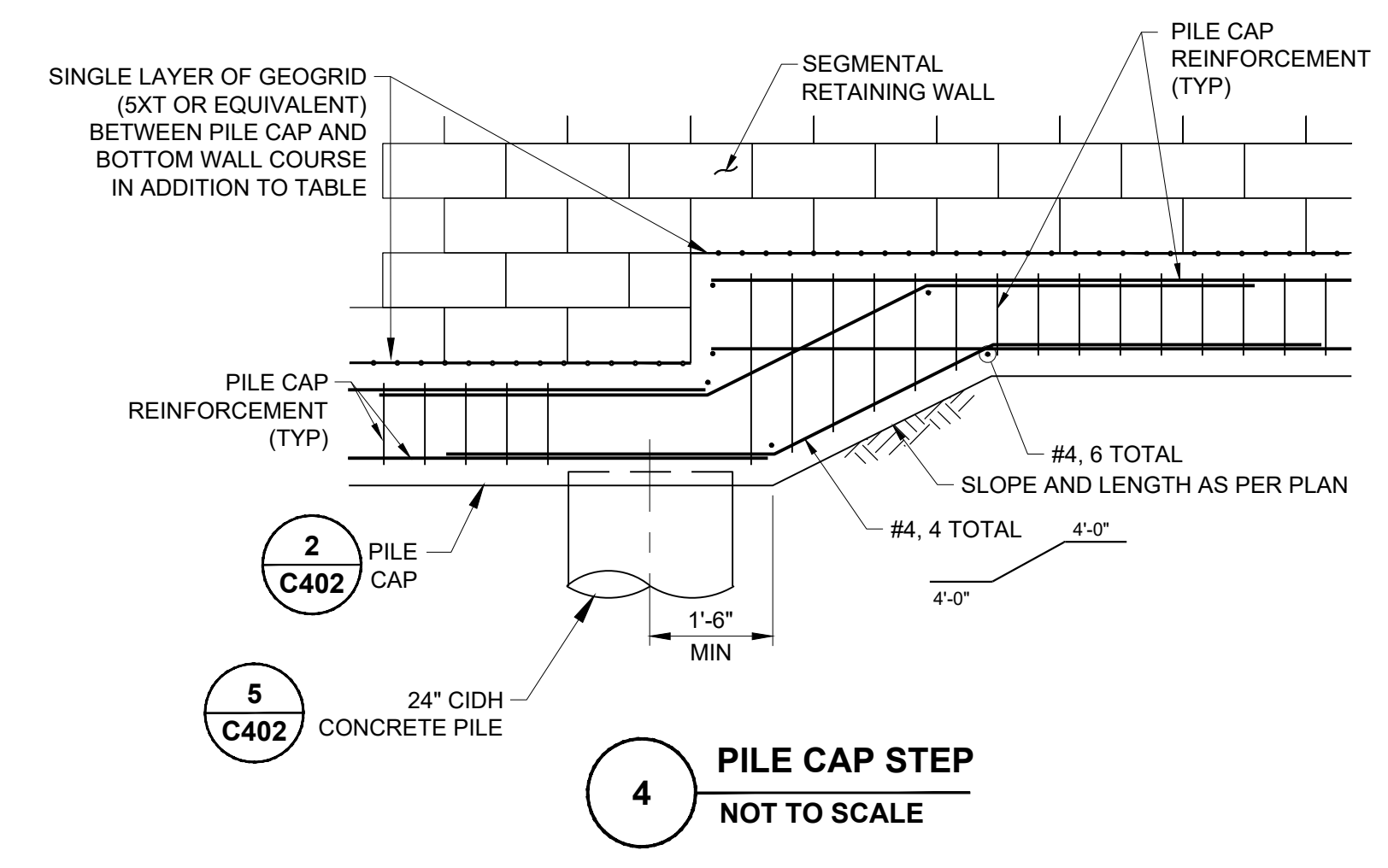
\\haleyaldrich.com\share\granite\2023\0207686-sanmateo-slipoutrepair-2180higginscanyonroad\CAD\207686-001_C-102.dwg 7/28/23 01:53:25 PM kvrt



APPROVED:
 DATE: July 28, 2023
 ANN MADER STILLMAN,
 DIRECTOR OF PUBLIC WORKS
 R. C. E. # 47882 / EXPIRES 12-31-2023



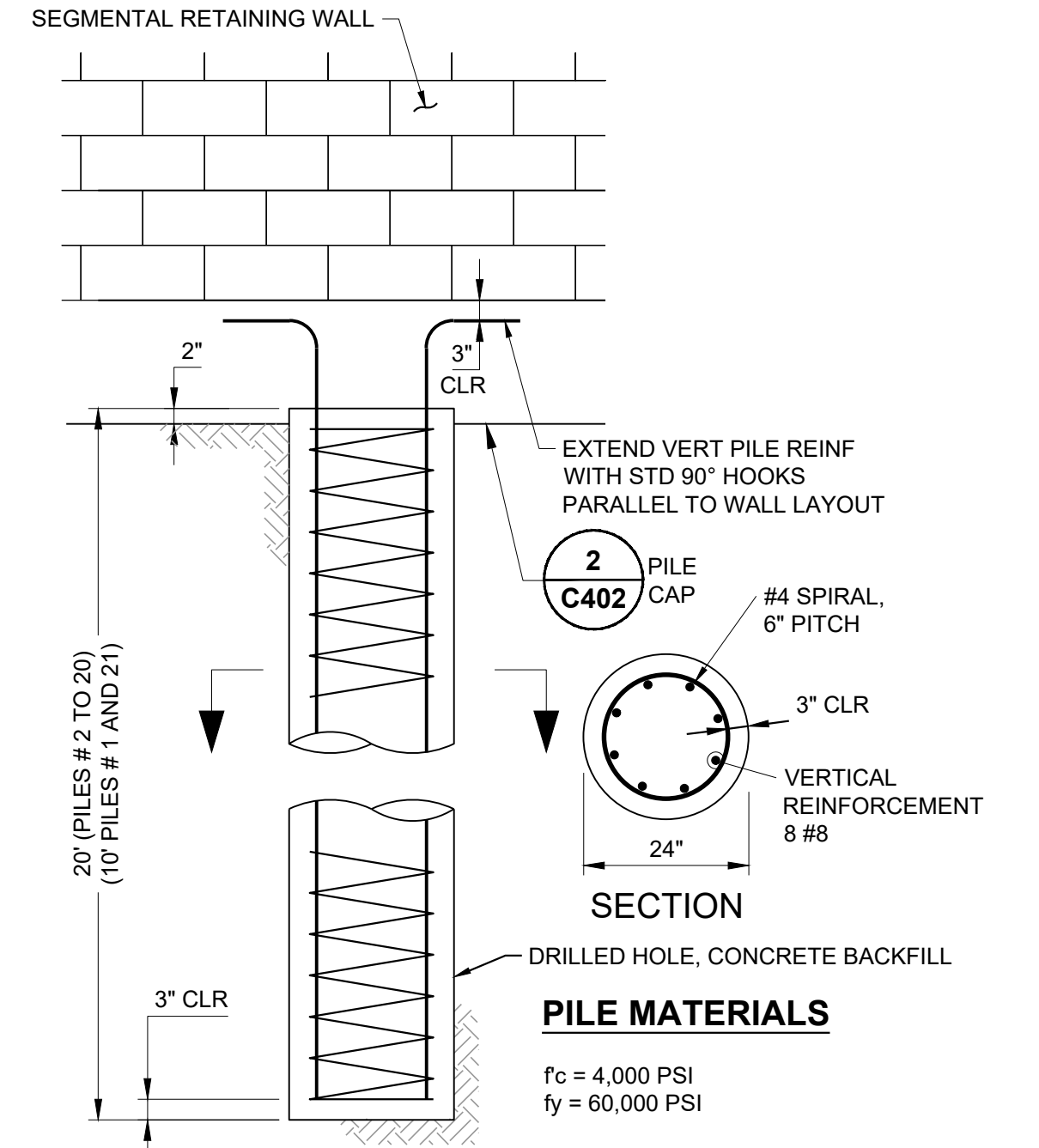
1 TYPICAL OUTBOARD WALL SECTION
 NOT TO SCALE



4 PILE CAP STEP
 NOT TO SCALE

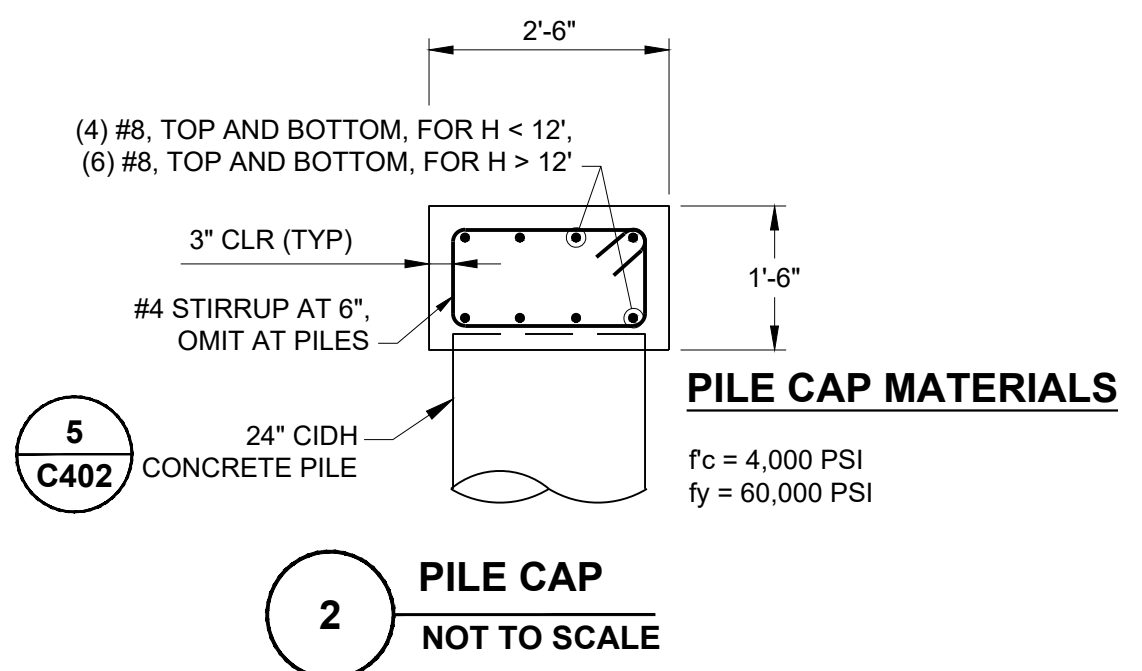
COURSE NUMBER	BEG. STA.	END. STA.	BOTTOM OF BLOCK ELEVATION	COURSE LENGTH (ft)	NUMBER OF BLOCKS	GRID LENGTH (ft)		BEG. STA.	GRID LENGTH (ft)	BEG. STA.
						17-ft GRID EMBEDMENT	22-ft GRID EMBEDMENT			
47	0+14.5	0+26.5	292.00	12	8	-	-	-	-	-
46	0+15.25	0+55.75	291.33	40.5	27	-	-	11.75	0+15.25	-
45	0+16	0+68.5	290.66	52.5	35	-	-	-	-	-
44	0+18.25	0+78.25	290.00	60	40	-	-	47.75	0+18.25	-
43	0+20.5	0+86.5	289.33	66	44	-	-	10	0+20.5	-
42	0+21.25	0+97.75	288.66	76.5	51	-	-	-	-	-
41	0+23.5	1+10.5	288.00	87	58	-	-	74.5	0+23.5	-
40	0+25.75	1+24.75	287.33	99	66	-	-	12	0+25.75	-
39	0+26.5	1+55.5	286.66	129	86	-	-	-	-	-
38	0+30.25	1+72.75	286.00	142.5	95	-	-	109.75	0+30.25	-
37	0+31	1+75	285.33	144	96	-	-	35	0+31	-
36	0+33.25	1+74.25	284.66	141	94	-	-	-	-	-
35	0+35.5	1+72	284.00	136.5	91	-	-	136.5	0+35.5	-
34	0+36.25	1+71.25	283.33	135	90	-	-	-	-	-
33	0+38.5	1+69	282.66	130.5	87	-	-	-	-	-
32	0+39.25	1+66.75	282.00	127.5	85	-	-	127.5	0+39.25	-
31	0+40	1+64.5	281.33	124.5	83	-	-	-	-	-
30	0+40.75	1+65.25	280.66	124.5	83	-	-	-	-	-
29	0+43	1+63	280.00	120	80	-	-	120	0+43	-
28	0+46.75	1+62.25	279.33	115.5	77	-	-	-	-	-
27	0+47.5	1+60	278.66	112.5	75	-	-	-	-	-
26	0+48.25	1+57.75	278.00	109.5	73	-	-	109.5	0+48.25	-
25	0+52	1+58.5	277.33	106.5	71	8	0+52	-	-	-
24	0+51.25	1+54.75	276.66	103.5	69	-	-	-	-	-
23	0+55	1+55.5	276.00	100.5	67	8	0+55	92.5	0+63.0	-
22	0+55.75	1+51.75	275.33	96	64	-	0+55.75	-	-	-
21	0+58	1+52.5	274.66	94.5	63	-	-	-	-	-
20	0+58.75	1+48.75	274.00	90	60	8	0+58.75	82	0+66.75	-
19	0+59.5	1+48	273.33	88.5	59	-	0+59.5	-	-	-
18	0+63.25	1+47.25	272.66	84	56	-	-	-	-	-
17	0+64	1+45	272.00	81	54	8	0+64	73	0+72	-
16	0+66.25	1+45.75	271.33	79.5	53	8	0+66.25	-	-	-
15	0+68.5	1+43.5	270.66	75	50	-	-	-	-	-
14	0+69.25	1+42.75	270.00	73.5	49	8	0+69.25	65.5	0+77.25	-
13	0+71.5	1+40.5	269.33	69	46	8	0+71.5	-	-	-
12	0+70.75	1+38.25	268.66	67.5	45	-	-	-	-	-
11	0+73	1+36	268.00	63	42	8	0+73	55	0+81.0	-
10	0+75.25	1+36.75	267.33	61.5	41	8	0+75.25	-	-	-
9	0+76	1+33	266.66	57	38	-	-	-	-	-
8	0+78.25	1+32.25	266.00	54	36	54	0+78.25	-	-	-
7	0+79	1+30	265.33	51	34	8	0+79	-	-	-
6	0+82.75	1+29.25	264.66	46.5	31	-	-	-	-	-
5	0+88	1+28.5	264.00	40.5	27	40.5	0+88	-	-	-
4	0+93.25	1+26.25	263.33	33	22	-	-	-	-	-
3	0+98.5	1+25.5	262.66	27	18	27	0+98.5	-	-	-
2	1+03.75	1+23.25	262.00	19.5	13	-	-	-	-	-
1	1+09	1+22.5	261.33	13.5	9	13.5	1+09	-	-	-

SEGMENTAL BLOCK WALL TABLE

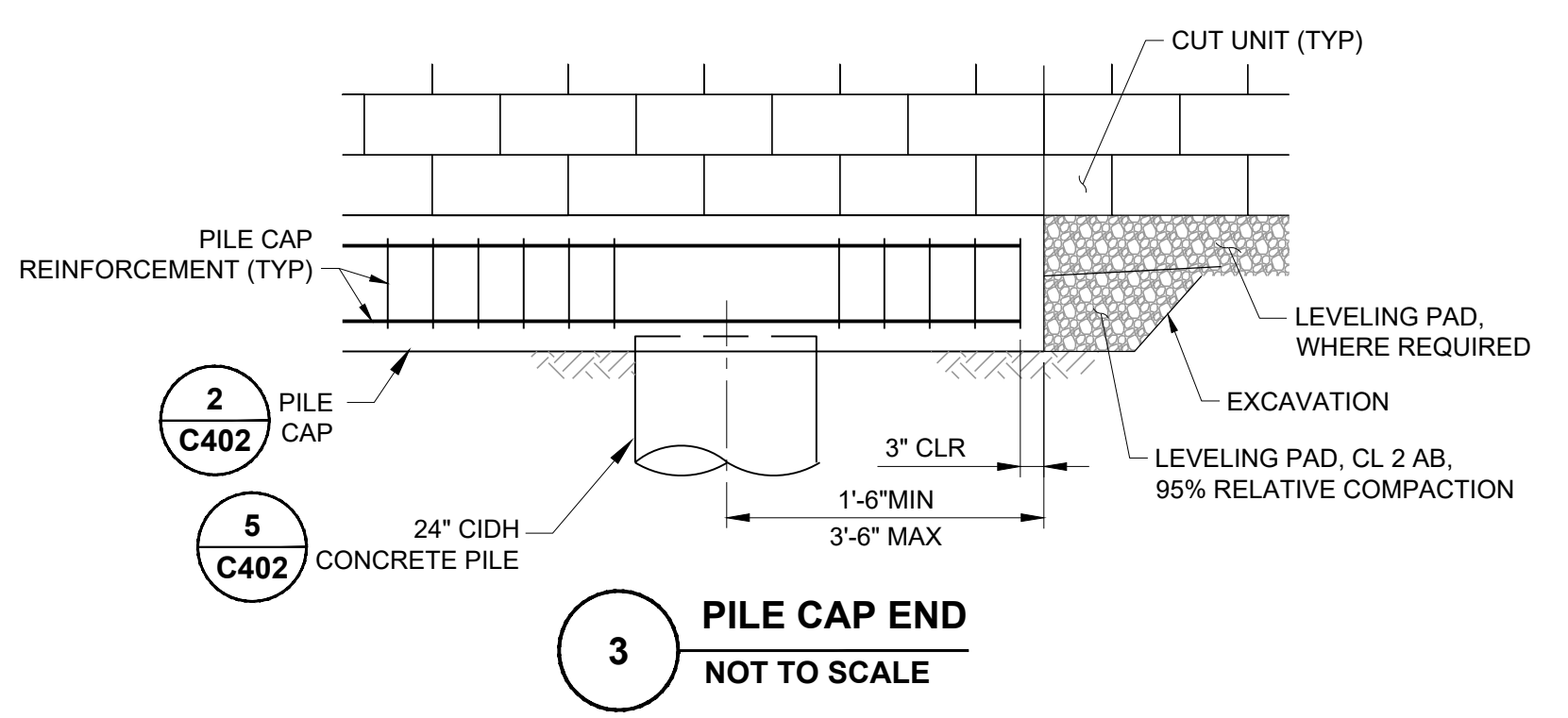


5 CONCRETE PILE
 NOT TO SCALE

6 WALL DRAIN
 NOT TO SCALE



2 PILE CAP
 NOT TO SCALE



3 PILE CAP END
 NOT TO SCALE

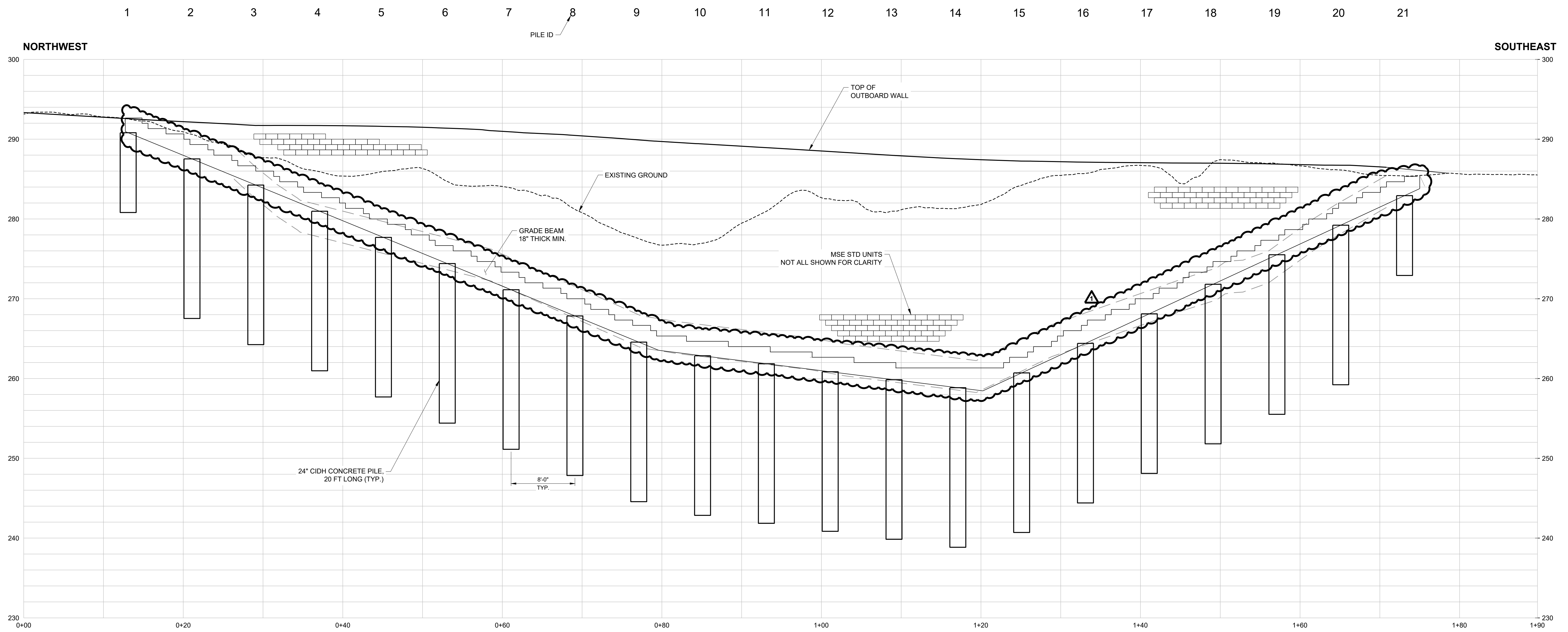
ISSUED FOR CONSTRUCTION

	HALEY ALDRICH HALEY & ALDRICH, INC. 785 Ygnacio Valley Road Walnut Creek, CA 94595 Tel: 925.935.9771 www.haleyaldrich.com		REVISION	DATE	DESIGNED BY: DPM	SLIP-OUT REPAIR 2180 HIGGINS CANYON ROAD OUTBOARD WALL DETAILS I	SCALE: AS SHOWN
					DRAWN BY: KV		DATE: JULY-2023
					CHECKED BY: SA	FILE NO.: 1/5083	
			1	08/17/23	ANN MADER STILLMAN, DIRECTOR OF PUBLIC WORKS COUNTY SAN MATEO	555 COUNTY CENTER, 5th FLOOR REDWOOD CITY, CALIFORNIA 94063	
			0	07/21/23			
FOR REDUCED PLANS ORIGINAL SCALE IS IN INCHES							C-402 (Rev1) SHEET 17 OF 20

\\haleyaldrich.com\share\vgornita, 2023\2027686-SlipOutRepair-2180HigginsCanyonRoad_CAD\207686-001_C-402s.dwg 8-18-23 02:46:28 PM kvorf



APPROVED:
 DATE: July 28, 2023
 ANN MADER STILLMAN,
 DIRECTOR OF PUBLIC WORKS
 R. C. E. # 47882 / EXPIRES 12-31-2023



1 OUTBOARD WALL ELEVATION
 SCALE: 1" = 6'

CONCRETE PILE TABLE							
PILE #	STA.	EASTING	NORTHING	DIA. (IN)	BOTTOM EL.	TOP OF CONC EL.	CONC PILE LENGTH (FT)
1	0+13.10	1139300.838	856610.5986	24	280.81	290.81	10
2	0+21.10	1139308.838	856607.3182	24	267.53	287.53	20
3	0+29.10	1139316.838	856604.0377	24	264.25	284.25	20
4	0+37.10	1139324.838	856600.7573	24	260.97	280.97	20
5	0+45.10	1139332.838	856597.4768	24	257.69	277.69	20
6	0+53.10	1139340.838	856594.1964	24	254.41	274.41	20
7	0+61.10	1139348.838	856590.895	24	251.13	271.13	20
8	0+69.10	1139356.838	856587.6355	24	247.85	267.85	20
9	0+77.10	1139364.838	856584.355	24	244.57	264.57	20
10	0+85.10	1139372.838	856582.6371	24	242.85	262.85	20
11	0+93.10	1139380.838	856581.6371	24	241.85	261.85	20
12	1+01.10	1139388.838	856580.6371	24	240.85	260.85	20
13	1+09.10	1139396.838	856579.6371	24	239.85	259.85	20
14	1+17.10	1139404.838	856578.6371	24	238.85	258.85	20
15	1+25.10	1139412.838	856580.4924	24	240.71	260.71	20
16	1+33.10	1139420.838	856584.1955	24	244.41	264.41	20
17	1+41.10	1139428.838	856587.8985	24	248.11	268.11	20
18	1+49.10	1139436.838	856591.6016	24	251.82	271.82	20
19	1+57.10	1139444.838	856595.3047	24	255.52	275.52	20
20	1+65.10	1139452.838	856599.0077	24	259.22	279.22	20
21	1+73.10	1139460.838	856602.7108	24	272.92	282.92	10

ISSUED FOR CONSTRUCTION

	HALEY ALDRICH HALEY & ALDRICH, INC. 785 Ygnacio Valley Road Walnut Creek, CA 94595 Tel: 925.935.9771 www.haleyaldrich.com		REVISION	DATE	DESIGNED BY: DPM	SLIP-OUT REPAIR 2180 HIGGINS CANYON ROAD OUTBOARD WALL DETAILS II	SCALE: AS SHOWN
					DRAWN BY: KV		DATE: JULY-2023
					CHECKED BY: SA	ANN MADER STILLMAN, DIRECTOR OF PUBLIC WORKS COUNTY SAN MATEO	555 COUNTY CENTER, 5th FLOOR REDWOOD CITY, CALIFORNIA 94063
			1	08/17/23			
			0	07/21/23			

FOR REDUCED PLANS ORIGINAL SCALE IS IN INCHES

PROJECT NO.: 0207686-001

C-403 (Rev1)
SHEET 18 OF 20

\\haleyaldrich.com\share\granite\2023\0207686-001\outboardrepair-2180higginscanyonroad\CAD\207686-001_C-403.dwg 8-16-23 10:21:44 PM kvori

**ENGINEER'S ESTIMATE
2023 SLIP-OUT REPAIR NEAR 2180 HIGGINS CANYON ROAD PROJECT**

**TOTAL PROJECT APPROXIMATELY 200 FEET IN LENGTH
WITH APPURTENANT WORK THERETO
IN SAN MATEO COUNTY**

**COUNTY PROJECT NO. 08H21
PROJECT FILE NO. E5083**

**Federal-Aid Project No. FEMA DR-4683-DR-CA
CAL OES NO. 081-00000**

Item No.	Section No.	Estimated Quantity	Unit of Measure	Item Description
GENERAL ITEMS				
1	9	1	LS	Mobilization
2	7-2, 100	1	LS	Construction Staking
3	12	1	LS	Maintaining Traffic
4	13	1	LS	Water Pollution Control
5	14	1	LS	Construction Waste Management
6	8	1	LS	Weekend Work (Not to Exceed \$100,000)
SITE PREPARATION				
7	17	1	LS	Demolition, Clearing, and Grubbing
8	17-1	<u>91</u>	EA	Remove Tree (11" to 36 24")
<u>8A</u>	<u>17-1</u>	<u>8</u>	<u>EA</u>	<u>Remove Tree (25" to 36")</u>
9	17-1	1	EA	Remove Tree (36" and above)
10	21	250	LF	Erosion and Sediment Controls (ESC) - Silt Fence
11	21	0.25	AC	Erosion and Sediment Controls (ESC) - Permanent Seeding

Continued on Next Page

2023 Slip-Out Repair Near 2180 Higgins Canyon Road Project
 Engineer's Estimate – Continued from Previous Page

Item No.	Section No.	Estimated Quantity	Unit of Measure	Item Description
EARTHWORKS				
12	19-1 (F)	3,050	CY	Soil Excavation
13	19-1 (F)	125	CY	Rock Excavation
14	19-2 (F)	2,275	CY	Structural Backfill
15	19-7	1	LS	Excavation Dewatering
16	26	200	CY	Aggregate Base (Class 2)
INBOARD WALL - SOLDIER PILE				
17	49	65	VF	Bore Holes, 24" Diameter, in Soil
18	49	180	VF	Bore Holes, 24" Diameter, in Rock
19	49	100	VF	Bore Holes, 36" Diameter, in Soil
20	49	204	VF	Bore Holes, 36" Diameter, in Rock
21	49	180	VF	Concrete Pile, 24" Diameter
22	49	204	VF	Concrete Pile, 36" Diameter
23	52	80	LF	Steel Beam (W12x19)
24	52	170	LF	Steel Beam (W14x193)
25	52	155	LF	Steel Beam (W18x175)

Continued on Next Page

2023 Slip-Out Repair Near 2180 Higgins Canyon Road Project
 Engineer's Estimate – Continued from Previous Page

Item No.	Section No.	Estimated Quantity	Unit of Measure	Item Description
26	51	1500	SF	Structural Concrete (Lagging)
27	68-1	180	LF	Geocomposite Wall Drain
OUTBOARD WALL - MSE WITH SEGMENTAL WALL FACE				
28	49	420	VF	Bore Holes, 24" Diameter, in Rock
29	49	420	VF	Concrete Pile, 24" Diameter
30	51	180	LF	Structural Concrete (Pile Cap)
31	47	2,800	EA	Segmental Block Units
32	89	110	CY	Drain Rock
33	96	3,275	SY	Geogrid
34	39	110	Ton	Asphalt Concrete (Type A HMA)
35	83	155 162.5	LF	Guardrail

Engineer's Estimate of Costs: \$ 3,000,000

(F) Final Pay Quantities - See Section 9-1.02C, "Final Pay Item Quantities," of the Standard Specifications.

(Note: Gaps in section numbering, above, indicate the Section is blank or does not apply.)

2023 Slip-Out Repair Near 2180 Higgins Canyon Road Project
 Proposal – Continued from Previous Page

Item No.	Item Description	Section No.	Unit of Measure	Estimated Quantity	Item Price (In Figures)	Total (In Figures)
SITE PREPARATION						
7	Demolition, Clearing, and Grubbing	17	LS	1	\$	\$
8	Remove Tree (11" to 36 24")	17-1	EA	91	\$	\$
<u>8A</u>	<u>Remove Tree (25" to 36")</u>	<u>17-1</u>	<u>EA</u>	<u>8</u>	<u>\$</u>	<u>\$</u>
9	Remove Tree (36" and above)	17-1	EA	1	\$	\$
10	Erosion and Sediment Controls (ESC) - Silt Fence	21	LF	250	\$	\$
11	Erosion and Sediment Controls (ESC) - Permanent Seeding	21	AC	0.25	\$	\$
EARTHWORKS						
12	Soil Excavation	19-1 (F)	CY	3,050	\$	\$
13	Rock Excavation	19-1 (F)	CY	125	\$	\$
14	Structure Backfill	19-2 (F)	CY	2,275	\$	\$
15	Excavation Dewatering	19-7	LS	1	\$	\$
16	Aggregate Base (Class 2)	26	CY	200	\$	\$
INBOARD WALL - SOLDIER PILE						
17	Bore Holes, 24" Diameter, in Soil	49	VF	65	\$	\$
18	Bore Holes, 24" Diameter, in Rock	49	VF	180	\$	\$
19	Bore Holes, 36" Diameter, in Soil	49	VF	100	\$	\$
20	Bore Holes, 36" Diameter, in Rock	49	VF	204	\$	\$
21	Concrete Pile, 24" Diameter	49	VF	180	\$	\$

Continued on Next Page

2023 Slip-Out Repair Near 2180 Higgins Canyon Road Project
 Proposal – Continued from Previous Page

Item No.	Item Description	Section No.	Unit of Measure	Estimated Quantity	Item Price (In Figures)	Total (In Figures)
22	Concrete Pile, 36" Diameter	49	VF	204	\$	\$
23	Steel Beam (W12x19)	52	LF	80	\$	\$
24	Steel Beam (W14x193)	52	LF	170	\$	\$
25	Steel Beam (W18x175)	52	LF	155	\$	\$
26	Structural Concrete (Lagging)	51	SF	1500	\$	\$
27	Geocomposite Wall Drain	68-1	LF	180	\$	\$
OUTBOARD WALL - MSE WITH SEGMENTAL WALL FACE						
28	24" Diameter Bore Holes in Rock	49	VF	420	\$	\$
29	Concrete Pile, 24" Diameter	49	VF	420	\$	\$
30	Structural Concrete (Pile Cap)	51	LF	180	\$	\$
31	Segmental Block Units	47	EA	2,800	\$	\$
32	Drain Rock	89	CY	110	\$	\$
33	Geogrid	96	SY	3,275	\$	\$
34	Asphalt Concrete (Type A HMA)	39	Ton	110	\$	\$
35	Guardrail	83	LF	155 <u>162.5</u>	\$	\$
TOTAL						\$

Notes: (F) Final Pay Quantities - See Section 9-1.02C, "Final Pay Item Quantities," of the Standard Specifications

Award of a Contract to a low bidder will not be made until such bidder has certified compliance with the provisions of Title 2, Chapter 2.85, as amended, of the San Mateo County Ordinance Code.

7-3. Highway Construction Equipment

Attention is directed to Section 7-1.02O, "Vehicle Code," of the Standard Specifications and these Special Provisions.

Pursuant to the authority contained in Section 591 of the Vehicle Code, the County has determined that, within such areas as are within the limits of the project and are open to public traffic, the Contractor shall comply with all the requirements set forth in Divisions 11, 12, 13, 14 and 15 of the Vehicle Code. Attention is directed to the statement in Section 591 that this section shall not relieve him or any person from the duty of exercising due care. The Contractor shall take all necessary precautions for safe operation of his equipment and the protection of the public from injury and damage from such equipment.

7-4. Public Safety

Public Safety shall conform to the provisions in Section 7-1.04, "Public Safety," of the Standard Specifications and to these Special Provisions.

Full compensation for conforming to the requirements of this section shall be considered as included in the unit prices paid for the various Contract items of work, and no additional compensation will be allowed therefore.

7-5. Excavation Safety

Trench Safety shall conform to the provisions in Section 7-1.02K(6)(b), "Excavation Safety," of the Standard Specifications and these Special Provisions.

Full compensation for conforming to the requirements of this section shall be considered as included in the unit prices paid for the various Contract items of work, and no additional compensation will be allowed, therefore.

7-6. Public Convenience

Public Convenience shall conform to the provisions in Section 7-1.03, "Public Convenience," of the Standard Specifications and to these Special Provisions.

Full compensation for conforming to the requirements of this section shall be considered as included in the unit prices paid for the various Contract items of work, and no additional compensation will be allowed therefore.

END OF SECTION

TABLE OF CONTENTS (Continued)

SPECIAL PROVISIONS (Continued)

<u>Section</u>	
7-0.15	Buy America Requirements
7-1.16	Removal of Asbestos and Hazardous Substances
7-0.17	Subcontractor and DBE Records
7-0.18	DBE Certification Status
7-0.19	Performance of Disadvantaged Business Enterprises
7-0.20	Subcontracting
7-0.21	Prompt Progress Payment to Subcontractors
7-0.22	Prompt Payment of Funds Withheld to Subcontractors
7-0.23	Partnering
7-0.24	Procurement of Recovered Materials
7-1.	Equal Employment Opportunity Program for Minority Employment
7-1.1.	Definitions
7-1.2.	Certifications of Compliance and Intent
7-1.3.	Equal Employment Opportunity Program
7-1.4.	Equal Employment Opportunity Program Evaluation
7-1.5.	Inclusion of EEOP and Certificates
7-1.6.	Compliance of Contractor
7-1.7.	Compliance of Subcontractor
7-1.8.	Penalties for Non-Compliance
7-1.9.	Waiver of Compliance
7-1.10.	Employee Benefits
7-1.11.	Non-Discrimination
7-2.	Prevailing Wages
7-2.1.	Payroll Records
7-2.2.	Contractor Employee Jury Service
7-3.	Highway Construction Equipment
7-4.	Public Safety
7-5.	Excavation Safety
<u>7-6</u>	<u>Public Convenience</u>
8.	Progress of Work and Time of Completion
8-1.	Time of Completion
8-2.	Liquidated Damages
8-3.	Progress Schedule
8-4.	Construction Work Plan
9.	Measurement and Payment
9-1.	Force Account Work
9-2.	Payments to Contractor
9-3.	Payments Withheld from Contractor
9-4.	Stop Notices
9-5.	Construction Claims
10.	Develop and Apply Water
11.	Mobilization

**SECTION 8.
PROGRESS OF WORK AND TIME OF COMPLETION**

Attention is directed to the provisions of Section 8, "Prosecution and Progress," of the Standard Specifications, except as herein provided.

8-1. Time of Completion

The Contractor shall begin work within **TEN (10) CALENDAR DAYS** after receiving Notice to Proceed from the Department of Public Works, and shall diligently prosecute the same to completion before the expiration of

SEVENTY (70) CALENDAR DAYS

from the date of said beginning, as described above. **The Contractor is advised that the Contractor shall be prepared to start work in late September 2023 and finish the project before the end of 2023.**

The Contractor is expected to work on Saturdays, from 9:00 A.M. to 5:00 P.M. The bid item, "Weekend Work (Not to Exceed \$100,000)," is a final pay item as specified in Section 9-1.02C, "Final Pay Item Quantities" of the Standard Specifications. The contract lump sum price paid for this item, "Weekend Work (Not to Exceed \$100,000)," shall include furnishing all labor and incidentals for doing all work associated on the weekend.

The Contractor is advised that punch list items are required to be completed before the expiration of the working days stated above.

The Contractor may request, in writing, for an extension of working days, which request shall state the reason for said request and the number of additional working days. The Engineer will consider said request and respond, in writing, stating either the number of additional working days approved or the reason for denying the request.

SECTION 12. MAINTAINING TRAFFIC

Attention is directed to Sections 7-1.03 "Public Convenience," 7-1.04 "Public Safety," and 12-1, "Temporary Traffic Control, General," of the Standard Specifications, Sections 5-10, "Public ~~Safety~~Convenience," ~~and and~~ 7-4, "Public ~~Convenience~~Safety," of these Special Provisions, the Standard Plans, the Project Plans and the directions of the Engineer. The first paragraph of Section 12-1.04, "Payment," of the Standard Specifications shall not apply. In connection with said sections, it is understood that all lights, signs, barricades, flaggers, or other necessary devices shall be furnished, maintained, and ~~maintained~~ removed after completion of construction, by the Contractor at the Contractor's sole expense.

Contractor is advised that general roadway excavation (slide material removal) shall not commence ~~until~~ without prior written authorization of ~~authorized by~~ the Engineer.

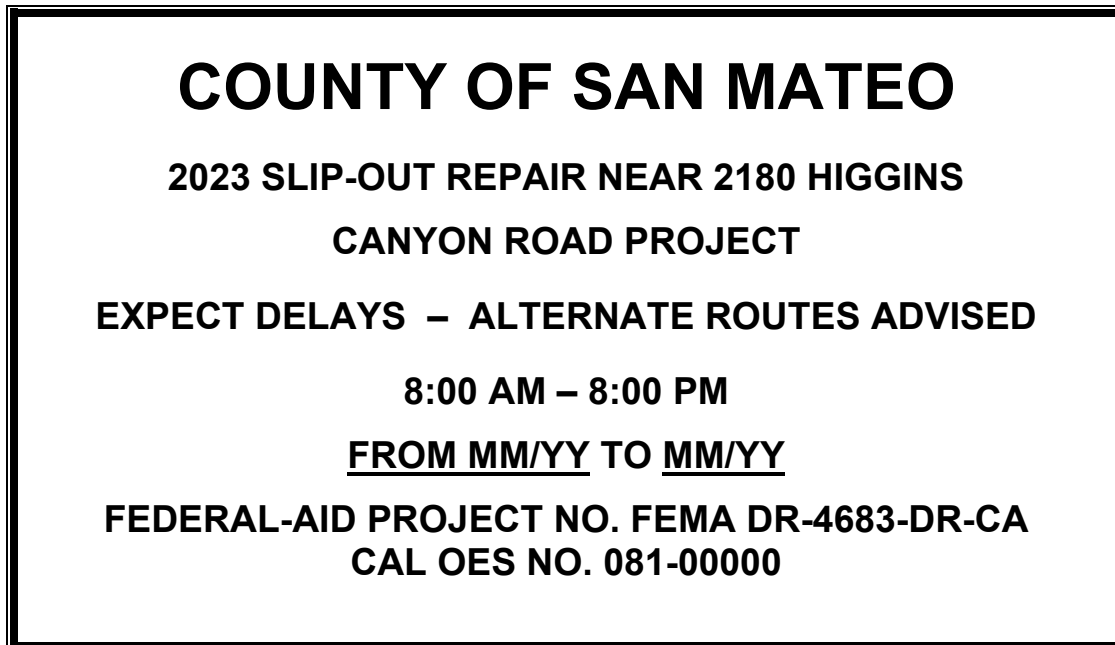
Higgins Canyon Road (HCR) is temporarily closed by order of San Mateo County between approximately 2165 HCR and 2180 HCR. The driveways for both 2165 and 2180 HCR are currently accessible to vehicular and pedestrian traffic. HCR between 2165 and 2180 is the approximate location of the landslide to be repaired under this contract. County of San Mateo plans that HCR will remain closed through construction of retention devices, removal of slide materials, placement of the mechanically stabilized earth wall, and roadway repair work. If County, in its sole discretion, determines that reopening HCR prior to completion of all construction works is in the best interest of the County, County may reopen HCR.

12-1. Traffic Control Plan

The Contractor shall furnish ~~an~~ overall Traffic Control Plans for all stages, and phases of work. The Plan shall be in accordance with 2018 Standard Plan T-13 unless these requirements are modified as directed by the Engineer. The Contractor shall submit the Traffic Control Plan within **FIVE (5) WORKING DAYS** after the pre-construction conference. The Engineer shall establish the time and place for said pre-construction conference. Delays upon the part of the Contractor in submitting a Plan, in the format as outlined in these Special Provisions and as directed by the Engineer, shall not constitute a valid reason for time extensions should the Contract time elapse before completion of said project. The Contractor is further advised that consideration for

adequate review time, as determined by the Engineer, shall be included in the work schedule.

~~The~~ Traffic Control Plan(s) shall establish, and implement, the contractor's means, methods, and maintenance of ensuring Higgins Canyon Road (HCR) between 2165 HCR and 2180 HCR remains closed to the traveling public and driveways to both 2165 and 2180 HCR remain accessible to vehicular and pedestrian traffic until such time as the County reopens HCR. Traffic Control Plan(s) shall include all necessary signage, barricades, roadblocks, and any/all accoutrements needed to ensure safe exclusion of the public from the closed section of HCR. Safe exclusion shall include opportunity for vehicles to safely turn-around and egress from the location of the road closure. Traffic Control Plans shall all necessary signage ~~include~~ including, but not limited to, orange advisory signs (aluminum or plywood, or as approved by the Engineer), **3' x 6' minimum**, stating expected delays, road closures, and/or night work, including dates, times and affected streets. Wording of advisory signs shall be as follows



Advisory signs shall be set in accordance to the locations as shown on the Plans. Signs shall be set in place a minimum of **SEVEN (7) CALENDAR DAYS** prior to commencement of construction site work, unless otherwise directed by the Engineer.

No construction site work shall commence prior to the Engineer's written approval of the Traffic Control Plan(s) and installation of all required signs.

Hand-written signs will not be permitted.

Proposals by the Contractor to close portions of roadways within the Project limits to through traffic during and/or outside of working hours shall be submitted, as a part of the Traffic Control Plan(s), to the Engineer for review. Acceptance of such proposals shall be entirely at the sole discretion of the Engineer. Should the Engineer reject the Contractor's road closure proposals, the Contractor shall be required to adhere to the provisions herein relating to passage of public traffic through the work and maintenance of traffic lanes through the work.

The Contractor may, at his option, submit an alternate work hour proposal to the Engineer for review. Acceptance of such proposal shall be entirely at the discretion of the Engineer, and any additional costs associated with alternate work hours proposed by the Contractor shall be borne solely by the Contractor, and no additional compensation will be allowed therefore. Should the Engineer reject the Contractor's alternate work hour proposal, the Contractor shall be required to adhere to the work schedule outlined herein.

Whenever the Contractor's operations create a condition hazardous to traffic or to the public, the Contractor shall take the necessary precautions and provide additional traffic control measures to ensure public safety. If the Contractor shall appear to be neglectful or negligent in providing warning or protective measures, the Engineer may direct attention to the existence of a hazard, and require that additional barricades, flashers, warning and detour signs or lights be installed by the Contractor, or additional flaggers provided. Any action or lack of action by the Engineer as provided herein shall not relieve the Contractor from responsibility for public safety.

If County elects to reopen the closed section of Higgins Canyon Road, any required, additional, traffic control (including updated or revised Traffic Control Plan) shall be prepared by the contractor at the direction of the County. Full compensation for all work involved with required, additional, traffic control shall be as specified in Section 9-1, "Force Account Work," of these Special Provisions.

Full compensation for all work involved for this item, "Maintaining Traffic," shall be as specified in Section 9 of the Standard Specifications and these Special Provisions.

END OF SECTION

Prior to excavation and removal of tree root systems, the Contractor shall verify the locations of existing utilities or other obstacles within the vicinity of the tree.

The Contractor is advised that active utility lines are located in the area. The locations of existing utility facilities are shown the Plan Sheets at their approximate locations, and no assurance is given as to the actual horizontal and vertical locations of these or other unknown facilities that may exist within the line of work. **The Contractor shall contact USA North811 (USA) a minimum of forty-eight (48) hours in advance of any excavation or trenching work. USA may be contacted either on-line at usanorth811.org or by phone by dialing (800) 227-2600 or 811.**

The Contractor is advised that all trees designated for removal which are less than ten inches (10") in trunk diameter, as well as stumps of any diameter, shall be considered as included under the Contract lump sum price paid for this item "Demolition, Clearing and Grubbing," and no additional compensation will be allowed therefore. Trees ten inches (10") or greater in trunk diameter shall be paid for per each under these items of work, "Remove Tree (11" to ~~36~~24")," "Remove Tree (25" to 36")", and "Remove Tree (36" and above)."

The Contractor is encouraged to review the project site in order to assess the trees and root balls that will require removal.

Full compensation for all work involved for these items, "Remove Tree (11" to ~~36~~24")," "Remove Tree (25" to 36")", and "Remove Tree (36" and above)," shall be as specified in Section 9 of the Standard Specifications and these Special Provisions.

No adjustment to the Contract bid price will be made for any increase or decrease in the quantities for these items, "Remove Tree (11" to ~~36~~24")," "Remove Tree (25" to 36")", and "Remove Tree (36" and above)," required. The provisions in Section 9-1.06, "Changed Quantity Payment Adjustments," of the Standard Specifications shall not apply to these items of work.

17-2. Protect in Place Existing Fences

Existing fences shall be protected in place, the Contractor may temporarily

any/all site-excavated material will be useable, as determined by the Engineer, for backfill.

The Contractor is advised that excavation may conflict with existing tree roots and care must be taken to avoid damaging the roots of trees to remain. The Engineer shall be notified immediately if conflicts with tree roots greater than **four inches (4")** in diameter are identified so that the Engineer may call an arborist to the site to evaluate. **No tree roots greater than four inches (4") in diameter shall be cut without prior written authorization from the Engineer.** Where roots greater than four inches (4") in diameter are encountered, the Contractor may be required by the Engineer to hand excavate material in order to conform to the project structural section requirements.

Tree roots requiring removal must be severed by means of a root cutter.

The quantity of material hand excavated will be paid for on a cubic yard basis as roadway excavation, and no additional compensation will be allowed therefore.

Any "Special Excavation" techniques, including excavation around tree roots that are to be saved, as required by the Engineer, shall be considered as work included in the item, "Tree Protection," various Contract items of work, and no additional compensation will be allowed therefore.

The Engineer reserves the right to adjust the limits of structure excavation shown on the Plans by up to five (5) lineal feet. ~~The provisions of Sections 9-1.06B, "Increases of More Than 25 Percent," and 9-1.06C, "Decreases of More Than 25 Percent," of the Standard Specifications shall not apply to this item of work.~~

Except as stated above, full compensation for all work involved for this item, "Soil Excavation," ~~and "Rock Excavation"~~ is a final pay item as specified in Section 9-1.02C, "Final Pay Item Quantities" of the Standard Specifications. The contract price bid per cubic yard (CY) for this item shall include furnishing all labor, material, tools, equipment, and incidentals and for doing all work associated with this item.

Full compensation for this item, "Rock Excavation," shall be as specified in Section 9 of the Standard Specifications and these Special Provisions.

19-2. Structure Backfill

Structure backfill shall conform to the provisions of Section 19-3, "Structure Excavation and Backfill," of the Standard Specifications and these Special Provisions.

SECTION 83. RAILINGS AND BARRIERS

Metal Beam Guardrail shall conform to Section 83-2, "~~Metal~~ Railings and Barriers," of the Standard Specifications, these Special Provisions, the Project Plans, and the directions of the Engineer.

~~Metal Beam Guardrail shall be Midwest Guardrail System as show on the plans and detail sheets as REVISED STANDARD PLAN RSP A77N3. Installation shall be per Detail C "at or Below Grade" as shown on the detail for "Installation at Walls or Obstructions" on Sheet C-404 of the Plans.~~

Metal Beam Guardrail shall be Midwest Guardrail System (MGS) as shown on the plans and detail sheets. Guardrail end terminal system shall be an END CAP (Type B) as shown on Caltrans Standard Plan A77M1 on Sheet C-404, and as noted below. Guardrail end terminal system shall provide the specified end cap at both ends of the MGS. MGS is intended to utilize the Type 11B Layout while generally following the as-built shape of the top of the segmental block face of the mechanically stabilized earth retaining wall. MGS will have a "best-fit" of varying tangent and curved sections based on the as-built location of the top of the segmental block face of the mechanically stabilized earth retaining wall. Curve radii will also vary as a result of the as-built location of the top of wall. Contractor shall provide a guardrail location plan, based on the surveyed geometry of the top of the segmental block face of the mechanically stabilized earth retaining wall. The Guardrail Location Plan shall show the proposed "best-fit" location of the guardrail while meeting or exceeding the required set back between MGS and retaining wall as shown in Detail 'C' "at or below grade" of "Installation at walls or obstructions" of REVISED STANDARD PLAN RSP A77N3 on Sheet C-404 of the project plans. The Engineer's approval of the Guardrail Location Plan shall be obtained prior to MGS installation. Full compensation for furnishing all labor, materials, hardware, software, surveying, tools, equipment, incidentals, and

accoutrements necessary for doing all work involved in furnishing as-built survey and the Guardrail Location Plan as specified in the Standard Specifications, these Special Provisions, as shown on the Plans, and as directed by the Engineer, shall be considered as included in the unit price paid for this Contract item, "Guardrail," and no separate payment or additional compensation will be allowed therefore.

Midwest Guardrail System end cap shall be Type B per Standard Plan A77M1 on Sheet C-404 of the Plans. Full compensation for furnishing all labor, materials, hardware, tools, equipment and incidentals necessary for doing all work involved in furnishing and installing end caps on Midwest guardrail system, as specified in the Standard Specifications, these Special Provisions, as shown on the Plans, and as directed by the Engineer, shall be considered as included in the unit price paid for this Contract item, "Guardrail," and no separate payment or additional compensation will be allowed therefore.

Midwest Guardrail System delineators shall be installed on wood posts per Standard Plan A77N4. Full compensation for furnishing all labor, materials, tools, equipment and incidentals necessary for doing all work involved in furnishing and installing delineators on Midwest guardrail system, as specified in the Standard Specifications, these Special Provisions, as shown on the Plans, and as directed by the Engineer, shall be considered as included in the unit price paid for this Contract item, "Guardrail," and no separate payment or additional compensation will be allowed therefore.

Full compensation for this item, "Guardrail," shall be as specified in Section 9 of the Standard Specifications and these Special Provisions.

END OF SECTION

**FEDERAL REQUIREMENTS
FOR
FEDERAL-AID CONSTRUCTION PROJECTS**

- FR-1B Federal Forms, Posters and Data Required of Contractor During Construction
- FR-2 Federal Wage Rates (North County)
- FR-3 Federal-Aid Construction Projects Forms:
 - **CEM-2401** – Substitution Report for Disadvantaged Business Enterprises (DBE) or Underutilized Disadvantaged Business Enterprises (UDBE)
 - **CEM-2402F** – Final Report – Utilization of Disadvantaged Business Enterprises (DBE), First Tier Subcontractors
 - **CEM-2403F** – Disadvantaged Business Enterprises (DBE) Certification Status Change
 - **CEM-2404F** – Monthly DBE/UDBE Trucking Verification
 - **FHWA-1391** – Federal-Aid Highway Construction Contractor’s Annual EEO Report (Exhibit 16-O, Local Assistance Procedure Manual)
- FR-4 Required Federal-Aid Contract Language:
 - **LAPM Exhibit 12-G** – includes FHWA Form-1273
 - **Appendix E, Title VI Assurances in Contracts** – US DOT Order 1050.2A

**FEDERAL FORMS, POSTERS AND DATA
REQUIRED OF CONTRACTOR
DURING CONSTRUCTION**

Reference is made to Section 7-0.10, "Federal Forms Required To Be Submitted By Contractor," of these Special Provisions.

The Contractor will be required to submit a number of standard forms and information during construction in conformance with Federal requirements. The Contractor is reminded that, should Contractor fail to provide the Federal forms in a timely manner without due cause, as determined by the Engineer, the Engineer shall have the option, at his discretion, to either withhold the progress payment or issue a stop work order until such forms have been submitted to the Engineer.

Item	Comment
Certified Payrolls	Provided by Contractor, for self and Subcontractors.
Non-Performance Certifications	Provided by Contractor, for self and Subcontractors.
Daily Personnel and Equipment Log	Reference Appendix D.
Federal-Aid Maintenance Contract (Pre-Construction Checklist)	Reference Appendix G
Federal Posters	Download at: https://dot.ca.gov/programs/construction/labor-compliance/labor-compliance-posters <u>Posting Requirements:</u> <ul style="list-style-type: none"> - Must be at all active job sites during work, - Must be in plain view for work crew. - Must be in common area (i.e. break room, porta-potty) or, for mobile operations, mounted on a board and moved with crew.
Federal-Aid Construction Project Forms	Reference Section FR-3, "Federal-Aid Construction Project Forms", for a list of forms required during construction.

FEDERAL WAGE RATES (NORTH COUNTY)

Incorporated herein are the most-current Federal Wage Rates data for San Mateo County which is **General Decision CA20230018, dated 08/11/2023**, which can also be found at the following government website:

<https://sam.gov/content/home>

To obtain the data:

- (1) Go to the website at the link above.
- (2) Click on "Wage Determinations"
- (3) Click "Public Building or Works" under "I do not know the number"
- (4) From the Drop-down choose **State: CALIFORNIA**
- (5) **County: San Mateo**
- (6) **Construction Type: HIGHWAY**
- (7) The **WD Number** should set automatically
- (8) Search or click the WD number

CONTRACTOR is advised of the Federal "10-day rule" requiring local agencies to access the "Federal Wage Rates" ten (10) days prior to bid opening to see if updated Federal wage rates have been posted; and, if updated Federal wage rates have been posted, to issue an addendum informing all plan holders of said updated Federal wage rates.

TABLE OF CONTENTS (Continued)

SPECIAL PROVISIONS (Continued)

<u>Section</u>	
51-1.	Structure Concrete (Lagging)
52.	Structural Steel
68.	Subsurface Drains
68-1.	Geocomposite Wall Drain
68-2.	Underdrain Pipe
83.	Railing and Barriers
89.	Aggregate
96.	Geosynthetics
100.	Construction Staking
100-1.	As-Built Drawings

Note: Gaps in Section numbering, above, indicate that the Section is either blank or does not apply.

FEDERAL REQUIREMENTS for FEDERAL-AID CONSTRUCTION PROJECTS

- FR-1A Federal Requirements for Federal-Aid Construction Projects
- FR-1B Federal Forms, Posters and Data Required of Contractor During Construction
- FR-2 ~~Part 200 – Uniform Administration Requirements, Cost Principals, and Audit Requirements for Federal Awards – Sections 200.317 through Section 200.326 and Appendix II. Federal Wage Rates (North County)~~
- FR-3 Federal-Aid Construction Projects Forms:
 - **CEM-2401** – Substitution Report for Disadvantaged Business Enterprises (DBE) or Underutilized Disadvantaged Business Enterprises (UDBE)
 - **CEM-2402F** – Final Report–Utilization of Disadvantaged Business Enterprises (DBE), First Tier Subcontractors
 - **CEM-2403F** – Disadvantaged Business Enterprises (DBE) Certification Status Change
 - **CEM-2404F** – Monthly DBE/UDBE Trucking Verification
 - **FHWA-1391** – Federal-Aid Highway Construction Contractor’s Annual EEO Report (Exhibit 16-O, Local Assistance Procedure Manual)

"General Decision Number: CA20230018 08/11/2023

Superseded General Decision Number: CA20220018

State: California

Construction Types: Building, Heavy (Heavy and Dredging) and Highway

Counties: Alameda, Calaveras, Contra Costa, Fresno, Kings, Madera, Mariposa, Merced, Monterey, San Benito, San Francisco, San Joaquin, San Mateo, Santa Clara, Santa Cruz, Stanislaus and Tuolumne Counties in California.

BUILDING CONSTRUCTION PROJECTS; DREDGING PROJECTS (does not include hopper dredge work); HEAVY CONSTRUCTION PROJECTS (does not include water well drilling); HIGHWAY CONSTRUCTION PROJECTS

Note: Contracts subject to the Davis-Bacon Act are generally required to pay at least the applicable minimum wage rate required under Executive Order 14026 or Executive Order 13658. Please note that these Executive Orders apply to covered contracts entered into by the federal government that are subject to the Davis-Bacon Act itself, but do not apply to contracts subject only to the Davis-Bacon Related Acts, including those set forth at 29 CFR 5.1(a)(2)-(60).

<p>If the contract is entered into on or after January 30, 2022, or the contract is renewed or extended (e.g., an option is exercised) on or after January 30, 2022:</p>	<ul style="list-style-type: none"> . Executive Order 14026 generally applies to the contract. . The contractor must pay all covered workers at least \$16.20 per hour (or the applicable wage rate listed on this wage determination, if it is higher) for all hours spent performing on the contract in 2023.
<p>If the contract was awarded on or between January 1, 2015 and January 29, 2022, and the contract is not renewed or extended on or after January 30, 2022:</p>	<ul style="list-style-type: none"> . Executive Order 13658 generally applies to the contract. . The contractor must pay all covered workers at least \$12.15 per hour (or the applicable wage rate listed on this wage determination, if it is higher) for all hours spent performing on that contract in 2023.

The applicable Executive Order minimum wage rate will be adjusted annually. If this contract is covered by one of the Executive Orders and a classification considered necessary for performance of work on the contract does not appear on this wage determination, the contractor must still submit a conformance request.

Additional information on contractor requirements and worker protections under the Executive Orders is available at <http://www.dol.gov/whd/govcontracts>.

Modification Number	Publication Date
0	01/06/2023
1	01/13/2023
2	01/20/2023
3	02/10/2023
4	02/24/2023
5	03/03/2023
6	03/10/2023
7	03/17/2023
8	03/31/2023
9	04/07/2023
10	04/14/2023
11	04/21/2023
12	06/02/2023
13	06/09/2023
14	06/23/2023
15	06/30/2023
16	07/14/2023
17	07/28/2023
18	08/11/2023

ASBE0016-004 01/01/2021

AREA 1: CALAVERAS, FRESNO, KINGS, MADERA, MARIPOSA, MERCED, MONTEREY, SAN BENITO, SAN JOAQUIN, SANTA CRUZ, STANISLAUS & TOULMNE COUNTIES

AREA 2: ALAMEDA, CONTRA COSTA, SAN FRANCISCO, SAN MATEO & SANTA CLARA COUNTIES

	Rates	Fringes
Asbestos Removal worker/hazardous material handler (Includes preparation, wetting, stripping, removal, scrapping, vacuuming, bagging and disposing of all insulation materials from mechanical systems, whether they contain asbestos or not)		
Area 1.....	\$ 30.45	10.60
Area 2.....	\$ 36.53	9.27

ASBE0016-008 02/01/2023

AREA 1: ALAMEDA, CONTRA COSTA, MONTEREY, SAN BENITO, SAN FRANCISCO, SAN MATEO, SANTA CLARA, & SANTA CRUZ

AREA 2: CALAVERAS, COLUSA, FRESNO, KINGS, MADERA, MARIPOSA, MERCED, SAN JOAQUIN, STANISLAUS, & TUOLUMNE

	Rates	Fringes
Asbestos Workers/Insulator (Includes the application of all insulating materials, Protective Coverings, Coatings, and Finishes to all types of mechanical systems)		
Area 1.....	\$ 80.91	23.82
Area 2.....	\$ 62.26	23.82

BOIL0549-001 01/01/2021

AREA 1: ALAMEDA, CONTRA COSTA, SAN FRANCISCO, SAN MATEO & SANTA CLARA COUNTIES

AREA 2: REMAINING COUNTIES

	Rates	Fringes
BOILERMAKER		
Area 1.....	\$ 49.62	41.27
Area 2.....	\$ 45.60	38.99

BRCA0003-001 08/01/2022

	Rates	Fringes
MARBLE FINISHER.....	\$ 39.20	18.31

BRCA0003-003 08/01/2022

	Rates	Fringes
MARBLE MASON.....	\$ 56.98	28.54

BRCA0003-005 05/01/2022

	Rates	Fringes
BRICKLAYER		
(1) Fresno, Kings, Madera, Mariposa, Merced....	\$ 47.88	23.29
(7) San Francisco, San Mateo.....	\$ 53.69	26.03
(8) Alameda, Contra Costa, San Benito, Santa Clara.....	\$ 53.61	23.81
(9) Calaveras, San Joaquin, Stanislaus, Toulumne.....	\$ 45.12	21.55
(16) Monterey, Santa Cruz....	\$ 50.78	25.42

BRCA0003-008 07/01/2022

	Rates	Fringes
TERRAZZO FINISHER.....	\$ 41.93	18.98
TERRAZZO WORKER/SETTER.....	\$ 56.84	27.53

BRCA0003-011 04/01/2022

AREA 1: Alameda, Contra Costa, Monterey, San Benito, San Francisco, San Mateo, Santa Clara, Santa Cruz

AREA 2: Calaveras, San Joaquin, Stanislaus, Tuolumne

AREA 3: Fresno, Kings, Madera, Mariposa, Merced

	Rates	Fringes
TILE FINISHER		
Area 1.....	\$ 33.86	17.54
Area 2.....	\$ 30.90	17.67
Area 3.....	\$ 29.89	16.80
Tile Layer		
Area 1.....	\$ 55.41	20.50
Area 2.....	\$ 50.66	20.40
Area 3.....	\$ 45.76	19.92

CARP0022-001 07/01/2021

San Francisco County

	Rates	Fringes
Carpenters		
Bridge Builder/Highway		
Carpenter.....	\$ 54.85	31.49
Hardwood Floorlayer, Shingler, Power Saw Operator, Steel Scaffold & Steel Shoring Erector, Saw Filer.....	\$ 55.00	31.49
Journeyman Carpenter.....	\$ 54.85	31.49
Millwright.....	\$ 54.95	33.08

CARP0034-001 07/01/2021

	Rates	Fringes
Diver		
Assistant Tender, ROV		
Tender/Technician.....	\$ 54.10	34.69
Diver standby.....	\$ 60.51	34.69
Diver Tender.....	\$ 59.51	34.69
Diver wet.....	\$ 103.62	34.69
Manifold Operator (mixed gas).....	\$ 64.51	34.69
Manifold Operator (Standby).\$	59.51	34.69

DEPTH PAY (Surface Diving):
050 to 100 ft \$2.00 per foot
101 to 150 ft \$3.00 per foot
151 to 220 ft \$4.00 per foot
221 ft.-deeper \$5.00 per foot

SATURATION DIVING:
The standby rate shall apply until saturation starts. The saturation diving rate applies when divers are under pressure continuously until work task and decompression are complete. The diver rate shall be paid for all saturation hours.

DIVING IN ENCLOSURES:
Where it is necessary for Divers to enter pipes or tunnels, or other enclosures where there is no vertical ascent, the following premium shall be paid: Distance traveled from entrance 26 feet to 300 feet: \$1.00 per foot. When it is necessary for a diver to enter any pipe, tunnel or other enclosure less than 48" in height, the premium will be \$1.00 per foot.

WORK IN COMBINATION OF CLASSIFICATIONS:
Employees working in any combination of classifications within the diving crew (except dive supervisor) in a shift are paid in the classification with the highest rate for that shift.

CARP0034-003 07/01/2021

Rates Fringes

Piledriver.....\$ 54.10 34.69

 CARP0035-007 07/01/2020

AREA 1: Alameda, Contra Costa, San Francisco, San Mateo, Santa Clara counties

AREA 2: Monterey, San Benito, Santa Cruz Counties

AREA 3: Calaveras, Fresno, Kings, Madera, Mariposa, Merced, San Joaquin, Stanislaus, Tuolumne Counties

	Rates	Fringes
Modular Furniture Installer		
Area 1		
Installer.....	\$ 28.76	22.53
Lead Installer.....	\$ 32.21	23.03
Master Installer.....	\$ 36.43	23.03
Area 2		
Installer.....	\$ 26.11	22.53
Lead Installer.....	\$ 29.08	23.03
Master Installer.....	\$ 32.71	23.03
Area 3		
Installer.....	\$ 25.16	22.53
Lead Installer.....	\$ 27.96	23.03
Master Installer.....	\$ 31.38	23.03

CARP0035-008 08/01/2020

AREA 1: Alameda, Contra Costa, San Francisco, San Mateo, Santa Clara counties

AREA 2: Monterey, San Benito, Santa Cruz Counties

AREA 3: San Joaquin

AREA 4: Calaveras, Fresno, Kings, Madera, Mariposa, Merced, Stanislaus, Tuolumne Counties

	Rates	Fringes
Drywall Installers/Lathers:		
Area 1.....	\$ 52.65	31.26
Area 2.....	\$ 46.77	31.26
Area 3.....	\$ 47.27	31.26
Area 4.....	\$ 45.92	31.26
Drywall Stocker/Scrapper		
Area 1.....	\$ 26.33	18.22
Area 2.....	\$ 23.39	18.22
Area 3.....	\$ 23.64	18.22
Area 4.....	\$ 22.97	18.22

CARP0152-001 07/01/2020

Contra Costa County

	Rates	Fringes
Carpenters		
Bridge Builder/Highway Carpenter.....	\$ 52.65	30.82
Hardwood Floorlayer, Shingler, Power Saw Operator, Steel Scaffold & Steel Shoring Erector, Saw Filer.....	\$ 52.80	30.82
Journeyman Carpenter.....	\$ 52.65	30.82
Millwright.....	\$ 52.75	32.41

CARP0152-002 07/01/2020

San Joaquin County

	Rates	Fringes
Carpenters		
Bridge Builder/Highway Carpenter.....	\$ 52.65	30.82
Hardwood Floorlayer, Shingler, Power Saw Operator, Steel Scaffold & Steel Shoring Erector, Saw Filer.....	\$ 46.92	30.82
Journeyman Carpenter.....	\$ 46.77	30.82
Millwright.....	\$ 49.27	32.41

CARP0152-004 07/01/2020

Calaveras, Mariposa, Merced, Stanislaus and Tuolumne Counties

	Rates	Fringes
Carpenters		
Bridge Builder/Highway Carpenter.....	\$ 52.65	30.82
Hardwood Floorlayer, Shingler, Power Saw Operator, Steel Scaffold & Steel Shoring Erector, Saw Filer.....	\$ 45.57	30.82
Journeyman Carpenter.....	\$ 45.42	30.82
Millwright.....	\$ 47.92	32.41

 CARP0217-001 07/01/2021

San Mateo County

	Rates	Fringes
Carpenters		
Bridge Builder/Highway Carpenter.....	\$ 54.85	31.49
Hardwood Floorlayer, Shingler, Power Saw Operator, Steel Scaffold & Steel Shoring Erector, Saw Filer.....	\$ 55.00	31.49
Journeyman Carpenter.....	\$ 54.85	31.49
Millwright.....	\$ 54.95	33.08

 CARP0405-001 07/01/2021

Santa Clara County

	Rates	Fringes
Carpenters		
Bridge Builder/Highway Carpenter.....	\$ 54.85	31.49
Hardwood Floorlayer, Shingler, Power Saw Operator, Steel Scaffold & Steel Shoring Erector, Saw Filer.....	\$ 55.00	31.49
Journeyman Carpenter.....	\$ 54.85	31.49
Millwright.....	\$ 54.95	33.08

 CARP0405-002 07/01/2021

San Benito County

	Rates	Fringes
Carpenters		
Bridge Builder/Highway Carpenter.....	\$ 54.85	31.49
Hardwood Floorlayer, Shingler, Power Saw Operator, Steel Scaffold & Steel Shoring Erector, Saw Filer.....	\$ 49.12	31.49
Journeyman Carpenter.....	\$ 48.97	31.49
Millwright.....	\$ 51.47	33.08

 CARP0505-001 07/01/2021

Santa Cruz County

	Rates	Fringes
Carpenters		
Bridge Builder/Highway Carpenter.....	\$ 54.85	31.49
Hardwood Floorlayer, Shingler, Power Saw Operator, Steel Scaffold & Steel Shoring Erector, Saw Filer.....	\$ 49.12	31.49
Journeyman Carpenter.....	\$ 48.97	31.49
Millwright.....	\$ 51.47	33.08

 CARP0605-001 07/01/2021

Monterey County

Rates	Fringes
-------	---------

Carpenters

Bridge Builder/Highway Carpenter.....	\$ 54.85	31.49
Hardwood Floorlayer, Shingler, Power Saw Operator, Steel Scaffold & Steel Shoring Erector, Saw Filer.....	\$ 49.12	31.49
Journeyman Carpenter.....	\$ 48.97	31.49
Millwright.....	\$ 51.47	33.08

CARP0701-001 07/01/2021

Fresno and Madera Counties

Rates Fringes

Carpenters

Bridge Builder/Highway Carpenter.....	\$ 54.85	31.49
Hardwood Floorlayer, Shingler, Power Saw Operator, Steel Scaffold & Steel Shoring Erector, Saw Filer.....	\$ 47.77	31.49
Journeyman Carpenter.....	\$ 47.62	31.49
Millwright.....	\$ 50.12	33.08

CARP0713-001 07/01/2021

Alameda County

Rates Fringes

Carpenters

Bridge Builder/Highway Carpenter.....	\$ 54.85	31.49
Hardwood Floorlayer, Shingler, Power Saw Operator, Steel Scaffold & Steel Shoring Erector, Saw Filer.....	\$ 55.00	31.49
Journeyman Carpenter.....	\$ 54.85	31.49
Millwright.....	\$ 54.95	33.08

CARP1109-001 07/01/2021

Kings County

Rates Fringes

Carpenters

Bridge Builder/Highway Carpenter.....	\$ 54.85	31.49
Hardwood Floorlayer, Shingler, Power Saw Operator, Steel Scaffold & Steel Shoring Erector, Saw Filer.....	\$ 47.77	31.49
Journeyman Carpenter.....	\$ 47.62	31.49
Millwright.....	\$ 50.12	33.08

ELEC0006-004 12/01/2021

SAN FRANCISCO COUNTY

Rates Fringes

Sound & Communications

Installer.....	\$ 48.43	3%+23.15
Technician.....	\$ 55.69	3%+23.15

SCOPE OF WORK: Including any data system whose only function is to transmit or receive information; excluding all other data systems or multiple systems which include control function or power supply; inclusion or exclusion of terminations and testings of conductors determined by their function; excluding fire alarm work when installed in raceways (including wire and cable pulling) and when performed on new or major remodel building projects or jobs for which the conductors for the fire alarm system are installed in conduit; excluding installation of raceway systems, line voltage work, industrial work, life-safety systems (all buildings having floors located more than 75' above the lowest floor level having building access); excluding energy management systems.

FOOTNOTE: Fire alarm work when installed in raceways (including wire and cable pulling), on projects which involve new or major remodel building construction, for

which the conductors for the fire alarm system are installed in the conduit, shall be performed by the inside electrician.

ELEC006-007 06/01/2023

SAN FRANCISCO COUNTY

	Rates	Fringes
ELECTRICIAN.....	\$ 88.25	3%+42.315

ELEC0100-002 03/01/2023

FRESNO, KINGS, AND MADERA COUNTIES

	Rates	Fringes
ELECTRICIAN.....	\$ 43.50	27.655

ELEC0100-005 12/01/2022

FRESNO, KINGS, MADERA

	Rates	Fringes
Communications System		
Installer.....	\$ 38.24	23.80
Technician.....	\$ 47.80	24.08

SCOPE OF WORK

Includes the installation testing, service and maintenance, of the following systems which utilize the transmission and/or transference of voice, sound, vision and digital for commercial, education, security and entertainment purposes for the following: TV monitoring and surveillance, background-foreground music, intercom and telephone interconnect, inventory control systems, microwave transmission, multi-media, multiplex, nurse call system, radio page, school intercom and sound, burglar alarms, and low voltage master clock systems.

A. SOUND AND VOICE TRANSMISSION/TRANSFERENCE SYSTEMS
Background foreground music, Intercom and telephone interconnect systems, Telephone systems Nurse call systems, Radio page systems, School intercom and sound systems, Burglar alarm systems, Low voltage, master clock systems, Multi-media/multiplex systems, Sound and musical entertainment systems, RF systems, Antennas and Wave Guide,

B. FIRE ALARM SYSTEMS Installation, wire pulling and testing

C. TELEVISION AND VIDEO SYSTEMS Television monitoring and surveillance systems Video security systems, Video entertainment systems, Video educational systems, Microwave transmission systems, CATV and CCTV

D. SECURITY SYSTEMS Perimeter security systems Vibration sensor systems Card access systems Access control systems, Sonar/infrared monitoring equipment

E. COMMUNICATIONS SYSTEMS THAT TRANSMIT OR RECEIVE INFORMATION AND/OR CONTROL SYSTEMS THAT ARE INTRINSIC TO THE ABOVE LISTED SYSTEMS SCADA (Supervisory Control and Data Acquisition) PCM (Pulse Code Modulation) Inventory Control Systems, Digital Data Systems Broadband and Baseband and Carriers Point of Sale Systems, VSAT Data Systems Data Communication Systems RF and Remote Control Systems, Fiber Optic Data Systems

WORK EXCLUDED Raceway systems are not covered (excluding Ladder-Rack for the purpose of the above listed systems). Chases and/or nipples (not to exceed 10 feet) may be installed on open wiring systems. Energy management systems. SCADA (Supervisory Control and Data Acquisition) when not intrinsic to the above listed systems (in the scope). Fire alarm systems when installed in raceways (including wire and cable pulling) shall be performed at the electrician wage rate, when either of the following two (2) conditions apply:
1. The project involves new or major remodel building trades construction.
2. The conductors for the fire alarm system are installed in conduit.

ELEC0234-001 12/26/2022

MONTEREY, SAN BENITO AND SANTA CRUZ COUNTIES

	Rates	Fringes
ELECTRICIAN		
Zone A.....	\$ 60.91	29.43
Zone B.....	\$ 67.00	29.61

Zone A: All of Santa Cruz, Monterey, and San Benito Counties within 25 air miles of Highway 1 and Dolan Road in Moss Landing, and an area extending 5 miles east and west of Highway 101 South to the San Luis Obispo County Line

Zone B: Any area outside of Zone A

 ELEC0234-003 12/01/2021

MONTEREY, SAN BENITO, AND SANTA CRUZ COUNTIES

	Rates	Fringes
Sound & Communications		
Installer.....	\$ 47.93	24.09
Technician.....	\$ 55.12	24.30

SCOPE OF WORK: Including any data system whose only function is to transmit or receive information; excluding all other data systems or multiple systems which include control function or power supply; inclusion or exclusion of terminations and testings of conductors determined by their function; excluding fire alarm work when installed in raceways (including wire and cable pulling) and when performed on new or major remodel building projects or jobs for which the conductors for the fire alarm system are installed in conduit; excluding installation of raceway systems, line voltage work, industrial work, life-safety systems (all buildings having floors located more than 75' above the lowest floor level having building access); excluding energy management systems.

FOOTNOTE: Fire alarm work when installed in raceways (including wire and cable pulling), on projects which involve new or major remodel building construction, for which the conductors for the fire alarm system are installed in the conduit, shall be performed by the inside electrician.

 ELEC0302-001 02/27/2023

CONTRA COSTA COUNTY

	Rates	Fringes
CABLE SPLICER.....	\$ 68.92	32.67
ELECTRICIAN.....	\$ 61.26	32.44

 ELEC0302-003 12/01/2022

CONTRA COSTA COUNTY

	Rates	Fringes
Sound & Communications		
Installer.....	\$ 46.64	25.30
Technician.....	\$ 53.64	25.51

SCOPE OF WORK: Including any data system whose only function is to transmit or receive information; excluding all other data systems or multiple systems which include control function or power supply; inclusion or exclusion of terminations and testings of conductors determined by their function; excluding fire alarm work when installed in raceways (including wire and cable pulling) and when performed on new or major remodel building projects or jobs for which the conductors for the fire alarm system are installed in conduit; excluding installation of raceway systems, line voltage work, industrial work, life-safety systems (all buildings having floors located more than 75' above the lowest floor level having building access); excluding energy management systems.

FOOTNOTE: Fire alarm work when installed in raceways (including wire and cable pulling), on projects which involve new or major remodel building construction, for which the conductors for the fire alarm system are installed in the conduit, shall be performed by the inside electrician.

ELEC0332-001 06/01/2023

SANTA CLARA COUNTY

	Rates	Fringes
CABLE SPLICER.....	\$ 95.65	44.42
ELECTRICIAN.....	\$ 83.17	44.045

FOOTNOTES: Work under compressed air or where gas masks are required, or work on ladders, scaffolds, stacks, "Bosun's chairs," or other structures and where the workers are not protected by permanent guard rails at a distance of 40 to 60 ft. from the ground or supporting structures: to be paid one and one-half times the straight-time rate of pay. Work on structures of 60 ft. or over (as described above): to be paid twice the straight-time rate of pay.

ELEC0332-003 12/01/2022

SANTA CLARA COUNTY

	Rates	Fringes
Sound & Communications		
Installer.....	\$ 51.18	25.435
Technician.....	\$ 58.86	25.666

SCOPE OF WORK: Including any data system whose only function is to transmit or receive information; excluding all other data systems or multiple systems which include control function or power supply; inclusion or exclusion of terminations and testings of conductors determined by their function; excluding fire alarm work when installed in raceways (including wire and cable pulling) and when performed on new or major remodel building projects or jobs for which the conductors for the fire alarm system are installed in conduit; excluding installation of raceway systems, line voltage work, industrial work, life-safety systems (all buildings having floors located more than 75' above the lowest floor level having building access); excluding energy management systems.

FOOTNOTE: Fire alarm work when installed in raceways (including wire and cable pulling), on projects which involve new or major remodel building construction, for which the conductors for the fire alarm system are installed in the conduit, shall be performed by the inside electrician.

ELEC0595-001 06/01/2021

ALAMEDA COUNTY

	Rates	Fringes
CABLE SPLICER.....	\$ 72.80	3%+39.94
ELECTRICIAN.....	\$ 63.30	3%+39.94

ELEC0595-002 12/01/2022

CALAVERAS AND SAN JOAQUIN COUNTIES

	Rates	Fringes
CABLE SPLICER.....	\$ 53.34	7.75%+25.88
ELECTRICIAN		
(1) Tunnel work.....	\$ 46.67	7.75%+25.88
(2) All other work.....	\$ 44.45	7.75%+25.88

ELEC0595-006 12/01/2022

ALAMEDA COUNTY

	Rates	Fringes
Sound & Communications		
Installer.....	\$ 51.18	3%+23.90
Technician.....	\$ 58.86	3%+23.90

SCOPE OF WORK: Including any data system whose only function is to transmit or receive information; excluding all other data systems or multiple systems which include control function or power supply; inclusion or exclusion of terminations and testings of conductors determined by their function; excluding fire alarm work when installed in raceways (including wire and cable pulling) and when performed on new or major remodel building projects or

jobs for which the conductors for the fire alarm system are installed in conduit; excluding installation of raceway systems, line voltage work, industrial work, life-safety systems (all buildings having floors located more than 75' above the lowest floor level having building access); excluding energy management systems.

FOOTNOTE: Fire alarm work when installed in raceways (including wire and cable pulling), on projects which involve new or major remodel building construction, for which the conductors for the fire alarm system are installed in the conduit, shall be performed by the inside electrician.

ELEC0595-008 12/01/2022

CALAVERAS AND SAN JOAQUIN COUNTIES

	Rates	Fringes
Communications System		
Installer.....	\$ 40.88	3%+23.90
Technician.....	\$ 47.01	3%+23.90

SCOPE OF WORK: Including any data system whose only function is to transmit or receive information; excluding all other data systems or multiple systems which include control function or power supply; inclusion or exclusion of terminations and testings of conductors determined by their function; excluding fire alarm work when installed in raceways (including wire and cable pulling) and when performed on new or major remodel building projects or jobs for which the conductors for the fire alarm system are installed in conduit; excluding installation of raceway systems, line voltage work, industrial work, life-safety systems (all buildings having floors located more than 75' above the lowest floor level having building access); excluding energy management systems.

FOOTNOTE: Fire alarm work when installed in raceways (including wire and cable pulling), on projects which involve new or major remodel building construction, for which the conductors for the fire alarm system are installed in the conduit, shall be performed by the inside electrician.

ELEC0617-001 06/01/2023

SAN MATEO COUNTY

	Rates	Fringes
ELECTRICIAN.....	\$ 78.00	45.88

ELEC0617-003 12/01/2022

SAN MATEO COUNTY

	Rates	Fringes
Sound & Communications		
Installer.....	\$ 51.18	25.44
Technician.....	\$ 58.86	25.67

SCOPE OF WORK: Including any data system whose only function is to transmit or receive information; excluding all other data systems or multiple systems which include control function or power supply; inclusion or exclusion of terminations and testings of conductors determined by their function; excluding fire alarm work when installed in raceways (including wire and cable pulling) and when performed on new or major remodel building projects or jobs for which the conductors for the fire alarm system are installed in conduit; excluding installation of raceway systems, line voltage work, industrial work, life-safety systems (all buildings having floors located more than 75' above the lowest floor level having building access); excluding energy management systems.

FOOTNOTE: Fire alarm work when installed in raceways (including wire and cable pulling), on projects which involve new or major remodel building construction, for which the conductors for the fire alarm system are installed in the conduit, shall be performed by the inside electrician.

ELEC0684-001 06/01/2023

MARIPOSA, MERCED, STANISLAUS AND TUOLUMNE COUNTIES

	Rates	Fringes
ELECTRICIAN.....	\$ 46.00	3%+27.68

CABLE SPLICER = 110% of Journeyman Electrician

ELEC0684-004 12/01/2021

MARIPOSA, MERCED, STANISLAUS AND TUOLUMNE COUNTIES

	Rates	Fringes
Communications System		
Installer.....	\$ 38.24	23.80
Technician.....	\$ 43.98	23.97

SCOPE OF WORK: Including any data system whose only function is to transmit or receive information; excluding all other data systems or multiple systems which include control function or power supply; inclusion or exclusion of terminations and testings of conductors determined by their function; excluding fire alarm work when installed in raceways (including wire and cable pulling) and when performed on new or major remodel building projects or jobs for which the conductors for the fire alarm system are installed in conduit; excluding installation of raceway systems, line voltage work, industrial work, life-safety systems (all buildings having floors located more than 75' above the lowest floor level having building access); excluding energy management systems.

FOOTNOTE: Fire alarm work when installed in raceways (including wire and cable pulling), on projects which involve new or major remodel building construction, for which the conductors for the fire alarm system are installed in the conduit, shall be performed by the inside electrician.

ELEC1245-001 06/01/2022

	Rates	Fringes
LINE CONSTRUCTION		
(1) Lineman; Cable splicer..	\$ 64.40	22.58
(2) Equipment specialist (operates crawler tractors, commercial motor vehicles, backhoes, trenchers, cranes (50 tons and below), overhead & underground distribution line equipment).....	\$ 50.00	21.30
(3) Groundman.....	\$ 38.23	20.89
(4) Powderman.....	\$ 51.87	18.79

HOLIDAYS: New Year's Day, M.L. King Day, Memorial Day, Independence Day, Labor Day, Veterans Day, Thanksgiving Day and day after Thanksgiving, Christmas Day

ELEV0008-001 01/01/2023

	Rates	Fringes
ELEVATOR MECHANIC.....	\$ 77.61	37.335+a+b

FOOTNOTE:
a. PAID VACATION: Employer contributes 8% of regular hourly rate as vacation pay credit for employees with more than 5 years of service, and 6% for 6 months to 5 years of service.
b. PAID HOLIDAYS: New Year's Day, Memorial Day, Independence Day, Labor Day, Veterans' Day, Thanksgiving Day, Friday after Thanksgiving, and Christmas Day.

ENGI0003-001 06/28/2023

""AREA 1"" WAGE RATES ARE LISTED BELOW

""AREA 2"" RECEIVES AN ADDITIONAL \$2.00 PER HOUR ABOVE AREA 1 RATES.

SEE AREA DEFINITIONS BELOW

	Rates	Fringes
--	-------	---------

OPERATOR: Power Equipment		
(AREA 1:)		
GROUP 1.....	\$ 60.72	31.03
GROUP 2.....	\$ 59.19	31.03
GROUP 3.....	\$ 57.71	31.03
GROUP 4.....	\$ 56.33	31.03
GROUP 5.....	\$ 55.06	31.03
GROUP 6.....	\$ 53.74	31.03
GROUP 7.....	\$ 52.60	31.03
GROUP 8.....	\$ 51.46	31.03
GROUP 8-A.....	\$ 49.25	31.03
OPERATOR: Power Equipment		
(Cranes and Attachments -		
AREA 1:)		
GROUP 1		
Cranes.....	\$ 52.30	31.15
Oiler.....	\$ 43.79	31.15
Truck crane oiler.....	\$ 46.08	31.15
GROUP 2		
Cranes.....	\$ 50.54	31.15
Oiler.....	\$ 42.83	31.15
Truck crane oiler.....	\$ 45.07	31.15
GROUP 3		
Cranes.....	\$ 48.80	31.15
Hydraulic.....	\$ 44.44	31.15
Oiler.....	\$ 42.55	31.15
Truck crane oiler.....	\$ 44.83	31.15
GROUP 4		
Cranes.....	\$ 45.76	31.15
OPERATOR: Power Equipment		
(Piledriving - AREA 1:)		
GROUP 1		
Lifting devices.....	\$ 52.64	31.15
Oiler.....	\$ 43.38	31.15
Truck Crane Oiler.....	\$ 45.66	31.15
GROUP 2		
Lifting devices.....	\$ 50.82	31.15
Oiler.....	\$ 43.11	31.15
Truck Crane Oiler.....	\$ 45.41	31.15
GROUP 3		
Lifting devices.....	\$ 49.14	31.15
Oiler.....	\$ 42.89	31.15
Truck Crane Oiler.....	\$ 45.12	31.15
GROUP 4		
Lifting devices.....	\$ 47.37	31.15
GROUP 5		
Lifting devices.....	\$ 44.73	31.15
GROUP 6		
Lifting devices.....	\$ 42.50	31.15
OPERATOR: Power Equipment		
(Steel Erection - AREA 1:)		
GROUP 1		
Cranes.....	\$ 53.27	31.15
Oiler.....	\$ 43.72	31.15
Truck Crane Oiler.....	\$ 45.95	31.15
GROUP 2		
Cranes.....	\$ 51.50	31.15
Oiler.....	\$ 43.45	31.15
Truck Crane Oiler.....	\$ 45.73	31.15
GROUP 3		
Cranes.....	\$ 50.02	31.15
Hydraulic.....	\$ 45.07	31.15
Oiler.....	\$ 43.23	31.15
Truck Crane Oiler.....	\$ 45.46	31.15
GROUP 4		
Cranes.....	\$ 48.00	31.15
GROUP 5		
Cranes.....	\$ 46.70	31.15
OPERATOR: Power Equipment		
(Tunnel and Underground Work		
- AREA 1:)		
SHAFTS, STOPES, RAISES:		
GROUP 1.....	\$ 56.82	31.03
GROUP 1-A.....	\$ 59.29	31.03
GROUP 2.....	\$ 55.56	31.03
GROUP 3.....	\$ 54.23	31.03
GROUP 4.....	\$ 53.09	31.03
GROUP 5.....	\$ 51.95	31.03
UNDERGROUND:		
GROUP 1.....	\$ 56.72	31.03
GROUP 1-A.....	\$ 59.19	31.03
GROUP 2.....	\$ 55.46	31.03
GROUP 3.....	\$ 54.13	31.03
GROUP 4.....	\$ 52.99	31.03
GROUP 5.....	\$ 51.85	31.03

FOOTNOTE: Work suspended by ropes or cables, or work on a Yo-Yo Cat: \$.60 per hour additional.

POWER EQUIPMENT OPERATOR CLASSIFICATIONS

GROUP 1: Operator of helicopter (when used in erection work); Hydraulic excavator, 7 cu. yds. and over; Power shovels, over 7 cu. yds.

GROUP 2: Highline cableway; Hydraulic excavator, 3-1/2 cu. yds. up to 7 cu. yds.; Licensed construction work boat operator, on site; Power blade operator (finish); Power shovels, over 1 cu. yd. up to and including 7 cu. yds. m.r.c.

GROUP 3: Asphalt milling machine; Cable backhoe; Combination backhoe and loader over 3/4 cu. yds.; Continuous flight tie back machine assistant to engineer or mechanic; Crane mounted continuous flight tie back machine, tonnage to apply; Crane mounted drill attachment, tonnage to apply; Dozer, slope brd; Gradall; Hydraulic excavator, up to 3 1/2 cu. yds.; Loader 4 cu. yds. and over; Long reach excavator; Multiple engine scraper (when used as push pull); Power shovels, up to and including 1 cu. yd.; Pre-stress wire wrapping machine; Side boom cat, 572 or larger; Track loader 4 cu. yds. and over; Wheel excavator (up to and including 750 cu. yds. per hour)

GROUP 4: Asphalt plant engineer/box person; Chicago boom; Combination backhoe and loader up to and including 3/4 cu. yd.; Concrete batch plant (wet or dry); Dozer and/or push cat; Pull- type elevating loader; Gradesetter, grade checker (GPS, mechanical or otherwise); Grooving and grinding machine; Heading shield operator; Heavy-duty drilling equipment, Hughes, LDH, Watson 3000 or similar; Heavy-duty repairperson and/or welder; Lime spreader; Loader under 4 cu. yds.; Lubrication and service engineer (mobile and grease rack); Mechanical finishers or spreader machine (asphalt, Barber-Greene and similar); Miller Formless M-9000 slope paver or similar; Portable crushing and screening plants; Power blade support; Roller operator, asphalt; Rubber-tired scraper, self-loading (paddle-wheels, etc.); Rubber-tired earthmoving equipment (scrapers); Slip form paver (concrete); Small tractor with drag; Soil stabilizer (P & H or equal); Spider plow and spider puller; Tubex pile rig; Unlicensed construction work boat operator, on site; Timber skidder; Track loader up to 4 yds.; Tractor-drawn scraper; Tractor, compressor drill combination; Welder; Woods-Mixer (and other similar Pugmill equipment)

GROUP 5: Cast-in-place pipe laying machine; Combination slusher and motor operator; Concrete conveyor or concrete pump, truck or equipment mounted; Concrete conveyor, building site; Concrete pump or pumpcrete gun; Drilling equipment, Watson 2000, Texoma 700 or similar; Drilling and boring machinery, horizontal (not to apply to waterliners, wagon drills or jackhammers); Concrete mixer/all; Person and/or material hoist; Mechanical finishers (concrete) (Clary, Johnson, Bidwell Bridge Deck or similar types); Mechanical burm, curb and/or curb and gutter machine, concrete or asphalt); Mine or shaft hoist; Portable crusher; Power jumbo operator (setting slip-forms, etc., in tunnels); Screed (automatic or manual); Self-propelled compactor with dozer; Tractor with boom D6 or smaller; Trenching machine, maximum digging capacity over 5 ft. depth; Vermeer T-600B rock cutter or similar

GROUP 6: Armor-Coater (or similar); Ballast jack tamper; Boom-type backfilling machine; Assistant plant engineer; Bridge and/or gantry crane; Chemical grouting machine, truck-mounted; Chip spreading machine operator; Concrete saw (self-propelled unit on streets, highways, airports and canals); Deck engineer; Drilling equipment Texoma 600, Hughes 200 Series or similar up to and including 30 ft. m.r.c.; Drill doctor; Helicopter radio operator; Hydro-hammer or similar; Line master; Skidsteer loader, Bobcat larger than 743 series or similar (with attachments); Locomotive; Lull hi-lift or similar; Oiler, truck mounted equipment; Pavement breaker, truck-mounted, with compressor combination; Paving fabric installation and/or laying machine; Pipe bending machine (pipelines only); Pipe wrapping machine (tractor propelled and supported); Screed (except asphaltic concrete paving); Self-propelled pipeline wrapping machine; Tractor; Self-loading chipper; Concrete barrier moving machine

GROUP 7: Ballast regulator; Boom truck or dual-purpose A-frame truck, non-rotating - under 15 tons; Cary lift or similar; Combination slurry mixer and/or cleaner; Drilling equipment, 20 ft. and under m.r.c.; Firetender (hot plant); Grouting machine operator; Highline cableway signalperson;

Stationary belt loader (Kolman or similar); Lift slab machine (Vagtborg and similar types); Maginnes internal full slab vibrator; Material hoist (1 drum); Mechanical trench shield; Pavement breaker with or without compressor combination); Pipe cleaning machine (tractor propelled and supported); Post driver; Roller (except asphalt); Chip Seal; Self-propelled automatically applied concrete curing machine (on streets, highways, airports and canals); Self-propelled compactor (without dozer); Signalperson; Slip-form pumps (lifting device for concrete forms); Tie spacer; Tower mobile; Trenching machine, maximum digging capacity up to and including 5 ft. depth; Truck- type loader

GROUP 8: Bit sharpener; Boiler tender; Box operator; Brakeperson; Combination mixer and compressor (shotcrete/gunite); Compressor operator; Deckhand; Fire tender; Forklift (under 20 ft.); Generator; Gunite/shotcrete equipment operator; Hydraulic monitor; Ken seal machine (or similar); Mixermobile; Oiler; Pump operator; Refrigeration plant; Reservoir-debris tug (self-propelled floating); Ross Carrier (construction site); Rotomist operator; Self-propelled tape machine; Shuttlecar; Self-propelled power sweeper operator (includes vacuum sweeper); Slusher operator; Surface heater; Switchperson; Tar pot fire tender; Tugger hoist, single drum; Vacuum cooling plant; Welding machine (powered other than by electricity)

GROUP 8-A: Elevator operator; Skidsteer loader-Bobcat 743 series or smaller, and similar (without attachments); Mini excavator under 25 H.P. (backhoe-trencher); Tub grinder wood chipper

ALL CRANES AND ATTACHMENTS

GROUP 1: Clamshell and dragline over 7 cu. yds.; Crane, over 100 tons; Derrick, over 100 tons; Derrick barge pedestal-mounted, over 100 tons; Self-propelled boom-type lifting device, over 100 tons

GROUP 2: Clamshell and dragline over 1 cu. yd. up to and including 7 cu. yds.; Crane, over 45 tons up to and including 100 tons; Derrick barge, 100 tons and under; Self-propelled boom-type lifting device, over 45 tons; Tower crane

GROUP 3: Clamshell and dragline up to and including 1 cu. yd.; Cranes 45 tons and under; Self-propelled boom-type lifting device 45 tons and under;

GROUP 4: Boom Truck or dual purpose A-frame truck, non-rotating over 15 tons; Truck-mounted rotating telescopic boom type lifting device, Manitex or similar (boom truck) over 15 tons; Truck-mounted rotating telescopic boom type lifting device, Manitex or similar (boom truck) - under 15 tons;

PILEDRIEVERS

GROUP 1: Derrick barge pedestal mounted over 100 tons; Clamshell over 7 cu. yds.; Self-propelled boom-type lifting device over 100 tons; Truck crane or crawler, land or barge mounted over 100 tons

GROUP 2: Derrick barge pedestal mounted 45 tons to and including 100 tons; Clamshell up to and including 7 cu. yds.; Self-propelled boom-type lifting device over 45 tons; Truck crane or crawler, land or barge mounted, over 45 tons up to and including 100 tons; Fundex F-12 hydraulic pile rig

GROUP 3: Derrick barge pedestal mounted under 45 tons; Self-propelled boom-type lifting device 45 tons and under; Skid/scow piledriver, any tonnage; Truck crane or crawler, land or barge mounted 45 tons and under

GROUP 4: Assistant operator in lieu of assistant to engineer; Forklift, 10 tons and over; Heavy-duty repairperson/welder

GROUP 5: Deck engineer

GROUP 6: Deckhand; Fire tender

STEEL ERECTORS

GROUP 1: Crane over 100 tons; Derrick over 100 tons; Self-propelled boom-type lifting device over 100 tons

GROUP 2: Crane over 45 tons to 100 tons; Derrick under 100 tons; Self-propelled boom-type lifting device over 45 tons to 100 tons; Tower crane

GROUP 3: Crane, 45 tons and under; Self-propelled boom-type lifting device, 45 tons and under

GROUP 4: Chicago boom; Forklift, 10 tons and over; Heavy-duty repair person/welder

GROUP 5: Boom cat

--

TUNNEL AND UNDERGROUND WORK

GROUP 1-A: Tunnel bore machine operator, 20' diameter or more

GROUP 1: Heading shield operator; Heavy-duty repairperson; Mucking machine (rubber tired, rail or track type); Raised bore operator (tunnels); Tunnel mole bore operator

GROUP 2: Combination slusher and motor operator; Concrete pump or pumpcrete gun; Power jumbo operator

GROUP 3: Drill doctor; Mine or shaft hoist

GROUP 4: Combination slurry mixer cleaner; Grouting Machine operator; Motorman

GROUP 5: Bit Sharpener; Brakeman; Combination mixer and compressor (gunite); Compressor operator; Oiler; Pump operator; Slusher operator

AREA DESCRIPTIONS:

POWER EQUIPMENT OPERATORS, CRANES AND ATTACHMENTS, TUNNEL AND UNDERGROUND [These areas do not apply to Piledrivers and Steel Erectors]

AREA 1: ALAMEDA, CALAVERAS, CONTRA COSTA, FRESNO, KINGS, MADERA, MARIPOSA, MERCED, MONTEREY, SAN BENITO, SAN FRANCISCO, SAN JOAQUIN, SAN MATEO, SANTA CLARA, SANTA CRUZ, STANISLAUS, TUOLUMNE

AREA 2 -NOTED BELOW

THE REMAINING COUNTIES ARE SPLIT BETWEEN AREA 1 AND AREA 2 AS NOTED BELOW:

CALAVERAS COUNTY:
Area 1: Remainder
Area 2: Eastern Part

FRESNO COUNTY:
Area 1: Remainder
Area 2: Eastern Part

MADERA COUNTY:
Area 1: Remainder
Area 2: Eastern Part

MARIPOSA COUNTY:
Area 1: Remainder
Area 2: Eastern Part

MONTEREY COUNTY:
Area 1: Remainder
Area 2: Southwestern part

TUOLUMNE COUNTY:
Area 1: Remainder
Area 2: Eastern Part

ENGI0003-008 08/01/2022

Rates Fringes

Dredging: (DREDGING:
CLAMSHELL & DIPPER DREDGING;
HYDRAULIC SUCTION DREDGING:)

AREA 1:		
(1) Leverman.....	\$ 55.15	35.46
(2) Dredge Dozer; Heavy		

duty repairman.....\$ 50.19	35.46
(3) Booster Pump Operator; Deck Engineer; Deck mate; Dredge Tender; Winch Operator.....\$ 49.07	35.46
(4) Bargeman; Deckhand; Fireman; Leveehand; Oiler..\$ 45.77	35.46
AREA 2:	
(1) Leverman.....\$ 57.15	35.46
(2) Dredge Dozer; Heavy duty repairman.....\$ 52.19	35.46
(3) Booster Pump Operator; Deck Engineer; Deck mate; Dredge Tender; Winch Operator.....\$ 51.07	35.46
(4) Bargeman; Deckhand; Fireman; Leveehand; Oiler..\$ 47.77	35.46

AREA DESCRIPTIONS

AREA 1: ALAMEDA,BUTTE, CONTRA COSTA, KINGS, MARIN, MERCED,
NAPA, SACRAMENTO, SAN BENITO, SAN FRANCISCO, SAN JOAQUIN,
SAN MATEO, SANTA CLARA, SANTA CRUZ, SOLANO, STANISLAUS,
SUTTER, YOLO, AND YUBA COUNTIES

AREA 2: MODOC COUNTY

THE REMAINING COUNTIES ARE SPLIT BETWEEN AREA 1 AND AREA 2
AS NOTED BELOW:

ALPINE COUNTY:

Area 1: Northernmost part
Area 2: Remainder

CALAVERAS COUNTY:

Area 1: Remainder
Area 2: Eastern part

COLUSA COUNTY:

Area 1: Eastern part
Area 2: Remainder

ELDORADO COUNTY:

Area 1: North Central part
Area 2: Remainder

FRESNO COUNTY:

Area 1: Remainder
Area 2: Eastern part

GLENN COUNTY:

Area 1: Eastern part
Area 2: Remainder

LASSEN COUNTY:

Area 1: Western part along the Southern portion of border
with Shasta County
Area 2: Remainder

MADERA COUNTY:

Area 1: Except Eastern part
Area 2: Eastern part

MARIPOSA COUNTY

Area 1: Except Eastern part
Area 2: Eastern part

MONTERREY COUNTY

Area 1: Except Southwestern part
Area 2: Southwestern part

NEVADA COUNTY:

Area 1: All but the Northern portion along the border of
Sierra County
Area 2: Remainder

PLACER COUNTY:

Area 1: All but the Central portion
Area 2: Remainder

PLUMAS COUNTY:

Area 1: Western portion
Area 2: Remainder

SHASTA COUNTY:

Area 1: All but the Northeastern corner
Area 2: Remainder

SIERRA COUNTY:
Area 1: Western part
Area 2: Remainder

SISKIYOU COUNTY:
Area 1: Central part
Area 2: Remainder

SONOMA COUNTY:
Area 1: All but the Northwestern corner
Area 2: Remainder

TEHAMA COUNTY:
Area 1: All but the Western border with Mendocino & Trinity
Counties
Area 2: Remainder

TRINITY COUNTY:
Area 1: East Central part and the Northeastern border with
Shasta County
Area 2: Remainder

TUOLUMNE COUNTY:
Area 1: Except Eastern part
Area 2: Eastern part

ENGI0003-019 06/29/2020

SEE AREA DESCRIPTIONS BELOW

	Rates	Fringes
OPERATOR: Power Equipment (LANDSCAPE WORK ONLY)		
GROUP 1		
AREA 1.....	\$ 39.95	30.28
AREA 2.....	\$ 41.95	30.28
GROUP 2		
AREA 1.....	\$ 36.35	30.28
AREA 2.....	\$ 38.35	30.28
GROUP 3		
AREA 1.....	\$ 31.74	30.28
AREA 2.....	\$ 33.74	30.28

GROUP DESCRIPTIONS:

GROUP 1: Landscape Finish Grade Operator: All finish grade work regardless of equipment used, and all equipment with a rating more than 65 HP.

GROUP 2: Landscape Operator up to 65 HP: All equipment with a manufacturer's rating of 65 HP or less except equipment covered by Group 1 or Group 3. The following equipment shall be included except when used for finish work as long as manufacturer's rating is 65 HP or less: A-Frame and Winch Truck, Backhoe, Forklift, Hydragraphic Seeder Machine, Roller, Rubber-Tired and Track Earthmoving Equipment, Skiploader, Straw Blowers, and Trencher 31 HP up to 65 HP.

GROUP 3: Landscap Utility Operator: Small Rubber-Tired Tractor, Trencher Under 31 HP.

AREA DESCRIPTIONS:

AREA 1: ALAMEDA, BUTTE, CONTRA COSTA, KINGS, MARIN, MERCED, NAPA, SACRAMENTO, SAN BENITO, SAN FRANCISCO, SAN JOAQUIN, SAN MATEO, SANTA CLARA, SANTA CRUZ, SOLANO, STANISLAUS, SUTTER, YOLO, AND YUBA COUNTIES

AREA 2 - MODOC COUNTY

THE REMAINING COUNTIES ARE SPLIT BETWEEN AREA 1 AND AREA 2 AS NOTED BELOW:

ALPINE COUNTY:
Area 1: Northernmost part
Area 2: Remainder

CALAVERAS COUNTY:
Area 1: Except Eastern part
Area 2: Eastern part

COLUSA COUNTY:
Area 1: Eastern part
Area 2: Remainder

DEL NORTE COUNTY:
Area 1: Extreme Southwestern corner

Area 2: Remainder

ELDORADO COUNTY:

Area 1: North Central part

Area 2: Remainder

FRESNO COUNTY

Area 1: Except Eastern part

Area 2: Eastern part

GLENN COUNTY:

Area 1: Eastern part

Area 2: Remainder

HUMBOLDT COUNTY:

Area 1: Except Eastern and Southwestern parts

Area 2: Remainder

LAKE COUNTY:

Area 1: Southern part

Area 2: Remainder

LASSEN COUNTY:

Area 1: Western part along the Southern portion of border
with Shasta County

Area 2: Remainder

MADERA COUNTY

Area 1: Remainder

Area 2: Eastern part

MARIPOSA COUNTY

Area 1: Remainder

Area 2: Eastern part

MENDOCINO COUNTY:

Area 1: Central and Southeastern parts

Area 2: Remainder

MONTEREY COUNTY

Area 1: Remainder

Area 2: Southwestern part

NEVADA COUNTY:

Area 1: All but the Northern portion along the border of
Sierra County

Area 2: Remainder

PLACER COUNTY:

Area 1: All but the Central portion

Area 2: Remainder

PLUMAS COUNTY:

Area 1: Western portion

Area 2: Remainder

SHASTA COUNTY:

Area 1: All but the Northeastern corner

Area 2: Remainder

SIERRA COUNTY:

Area 1: Western part

Area 2: Remainder

SISKIYOU COUNTY:

Area 1: Central part

Area 2: Remainder

SONOMA COUNTY:

Area 1: All but the Northwestern corner

Area 2: Remainder

TEHAMA COUNTY:

Area 1: All but the Western border with Mendocino & Trinity
Counties

Area 2: Remainder

TRINITY COUNTY:

Area 1: East Central part and the Northeast border with
Shasta County

Area 2: Remainder

TULARE COUNTY;

Area 1: Remainder

Area 2: Eastern part

TUOLUMNE COUNTY:

Area 1: Remainder

Area 2: Eastern Part

IRON0377-001 01/01/2023

ALAMEDA, CONTRA COSTA, SAN MATEO, SANTA CLARA COUNTIES

	Rates	Fringes
Ironworkers:		
Fence Erector.....	\$ 41.28	25.66
Ornamental, Reinforcing and Structural.....	\$ 49.88	34.30

PREMIUM PAY:

\$6.00 additional per hour at the following locations:

China Lake Naval Test Station, Chocolate Mountains Naval Reserve-Niland, Edwards AFB, Fort Irwin Military Station, Fort Irwin Training Center-Goldstone, San Clemente Island, San Nicholas Island, Susanville Federal Prison, 29 Palms - Marine Corps, U.S. Marine Base - Barstow, U.S. Naval Air Facility - Sealey, Vandenberg AFB

\$4.00 additional per hour at the following locations:

Army Defense Language Institute - Monterey, Fallon Air Base, Naval Post Graduate School - Monterey, Yermo Marine Corps Logistics Center

\$2.00 additional per hour at the following locations:

Port Hueneme, Port Mugu, U.S. Coast Guard Station - Two Rock

IRON0377-003 01/01/2023

SAN FRANCISCO CITY and COUNTY

	Rates	Fringes
Ironworkers:		
Fence Erector.....	\$ 41.28	25.66
Ornamental, Reinforcing and Structural.....	\$ 50.38	34.30

PREMIUM PAY:

\$6.00 additional per hour at the following locations:

China Lake Naval Test Station, Chocolate Mountains Naval Reserve-Niland, Edwards AFB, Fort Irwin Military Station, Fort Irwin Training Center-Goldstone, San Clemente Island, San Nicholas Island, Susanville Federal Prison, 29 Palms - Marine Corps, U.S. Marine Base - Barstow, U.S. Naval Air Facility - Sealey, Vandenberg AFB

\$4.00 additional per hour at the following locations:

Army Defense Language Institute - Monterey, Fallon Air Base, Naval Post Graduate School - Monterey, Yermo Marine Corps Logistics Center

\$2.00 additional per hour at the following locations:

Port Hueneme, Port Mugu, U.S. Coast Guard Station - Two Rock

IRON0433-005 01/01/2023

REMAINING COUNTIES

	Rates	Fringes
IRONWORKER		
Fence Erector.....	\$ 41.28	25.66
Ornamental, Reinforcing and Structural.....	\$ 46.20	34.30

PREMIUM PAY:

\$6.00 additional per hour at the following locations:

China Lake Naval Test Station, Chocolate Mountains Naval Reserve-Niland, Edwards AFB, Fort Irwin Military Station, Fort Irwin Training Center-Goldstone, San Clemente Island, San Nicholas Island, Susanville Federal Prison, 29 Palms - Marine Corps, U.S. Marine Base - Barstow, U.S. Naval Air Facility - Sealey, Vandenberg AFB

\$4.00 additional per hour at the following locations:

Army Defense Language Institute - Monterey, Fallon Air Base,
Naval Post Graduate School - Monterey, Yermo Marine Corps
Logistics Center

\$2.00 additional per hour at the following locations:

Port Hueneme, Port Mugu, U.S. Coast Guard Station - Two Rock

* LAB00067-006 06/26/2023

AREA ""1"" - ALAMEDA, CONTRA COSTA, SAN FRANCISCO, SAN MATEO AND
SANTA CLARA COUNTIES

AREA ""2"" - CALAVERAS, FRESNO, KINGS, MADERA, MARIPOSA,
MERCED, MONTEREY, SAN BENITO, SAN JOAQUIN, STANISLAUS, AND
TUOLUMNE COUNTIES

	Rates	Fringes
LABORER (ASBESTOS/MOLD/LEAD LABORER)		
Area 1.....	\$ 36.50	28.34
Area 2.....	\$ 35.50	28.34

ASBESTOS REMOVAL-SCOPE OF WORK: Site mobilization; initial
site clean-up; site preparation; removal of
asbestos-containing materials from walls and ceilings; or
from pipes, boilers and mechanical systems only if they are
being scrapped; encapsulation, enclosure and disposal of
asbestos-containing materials by hand or with equipment or
machinery; scaffolding; fabrication of temporary wooden
barriers; and assembly of decontamination stations.

LAB00073-002 06/27/2022

CALAVERAS AND SAN JOAQUIN COUNTIES

	Rates	Fringes
LABORER (TRAFFIC CONTROL/LANE CLOSURE)		
Escort Driver, Flag Person..	\$ 35.01	25.49
Traffic Control Person I...	\$ 35.31	25.49
Traffic Control Person II...	\$ 32.81	25.49

TRAFFIC CONTROL PERSON I: Layout of traffic control, crash
cushions, construction area and roadside signage.

TRAFFIC CONTROL PERSON II: Installation and removal of
temporary/permanent signs, markers, delineators and crash
cushions.

LAB00073-003 07/01/2022

SAN JOAQUIN COUNTY

	Rates	Fringes
LABORER		
Mason Tender-Brick.....	\$ 35.29	25.21

LAB00073-005 07/01/2021

	Rates	Fringes
Tunnel and Shaft Laborers:		
GROUP 1.....	\$ 42.00	25.71
GROUP 2.....	\$ 41.77	25.71
GROUP 3.....	\$ 41.52	25.71
GROUP 4.....	\$ 41.07	25.71
GROUP 5.....	\$ 40.53	25.71
Shotcrete Specialist.....	\$ 42.52	25.71

TUNNEL AND SHAFT CLASSIFICATIONS

GROUP 1: Diamond driller; Groundmen; Gunite and shotcrete
nozzlemen

GROUP 2: Rodmen; Shaft work & raise (below actual or
excavated ground level)

GROUP 3: Bit grinder; Blaster, driller, powdermen, heading;

Cherry pickermen - where car is lifted; Concrete finisher in tunnel; Concrete screedman; Grout pumpman and potman; Gunite & shotcrete gunman & potman; Headermen; High pressure nozzleleman; Miner - tunnel, including top and bottom man on shaft and raise work; Nipper; Nozzleman on slick line; Sandblaster - potman, Robotic Shotcrete Placer, Segment Erector, Tunnel Muck Hauler, Steel Form raiser and setter; Timberman, retimberman (wood or steel or substitute materials therefore); Tugger (for tunnel laborer work); Cable tender; Chuck tender; Powderman - primer house

GROUP 4: Vibrator operator, pavement breaker; Bull gang - muckers, trackmen; Concrete crew - includes rodding and spreading, Dumpmen (any method)

GROUP 5: Grout crew; Reboundman; Swamper/ Brakeman

LAB0073-007 06/25/2018

CALAVERAS AND SAN JOAQUIN COUNTIES

	Rates	Fringes
LABORER (CONSTRUCTION CRAFT LABORERS)		
Construction Specialist		
Group.....	\$ 30.49	23.20
GROUP 1.....	\$ 29.79	23.20
GROUP 1-a.....	\$ 30.01	23.20
GROUP 1-c.....	\$ 29.84	23.20
GROUP 1-e.....	\$ 30.34	23.20
GROUP 1-f.....	\$ 30.37	23.20
GROUP 2.....	\$ 29.64	23.20
GROUP 3.....	\$ 29.54	23.20
GROUP 4.....	\$ 23.23	23.20
See groups 1-b and 1-d under laborer classifications.		
LABORER (GARDENERS, HORTICULTURAL & LANDSCAPE LABORERS)		
(1) New Construction.....	\$ 29.54	23.20
(2) Establishment Warranty Period.....	\$ 23.23	23.20
LABORER (GUNITE)		
GROUP 1.....	\$ 29.75	22.31
GROUP 2.....	\$ 29.25	22.31
GROUP 3.....	\$ 28.66	22.31
GROUP 4.....	\$ 28.54	22.31
LABORER (WRECKING)		
GROUP 1.....	\$ 29.79	23.20
GROUP 2.....	\$ 29.64	23.20

FOOTNOTES:
Laborers working off or with or from bos'n chairs, swinging scaffolds, belts shall receive \$0.25 per hour above the applicable wage rate. This shall not apply to workers entitled to receive the wage rate set forth in Group 1-a below.

LABORER CLASSIFICATIONS

CONSTRUCTION SPECIALIST GROUP: Asphalt ironer and raker; Chainsaw; Laser beam in connection with laborers' work; Cast-in- place manhole form setter; Pressure pipelayer; Davis trencher - 300 or similar type (and all small trenchers); Blaster; Diamond driller; Multiple unit drill; Hydraulic drill

GROUP 1: Asphalt spreader boxes (all types); Barko, Wacker and similar type tampers; Buggymobile; Caulker, bander, pipewrapper, conduit layer, plastic pipelayer; Certified hazardous waste worker including Leade Abatement; Compactors of all types; Concrete and magnesite mixer, 1/2 yd. and under; Concrete pan work; Concrete sander; Concrete saw; Cribber and/or shoring; Cut granite curb setter; Dri-pak-it machine; Faller, logloader and buckler; Form raiser, slip forms; Green cutter; Headerboard, Hubsetter, aligner, by any method; High pressure blow pipe (1-1/2" or over, 100 lbs. pressure/over); Hydro seeder and similar type; Jackhammer operator; Jacking of pipe over 12 inches; Jackson and similar type compactor; Kettle tender, pot and worker applying asphalt, lay-kold, creosote, lime, caustic and similar type materials (applying means applying, dipping or handling of such materials); Lagging, sheeting, whaling, bracing, trenchjacking, lagging hammer; Magnesite, epoxyresin, fiberglass, mastic worker (wet or dry); No joint pipe and stripping of same, including repair of

voids; Pavement breaker and spader, including tool grinder; Perma curb; Pipelayer (including grade checking in connection with pipelaying); Precast-manhole setter; Pressure pipe tester; Post hole digger, air, gas and electric; Power broom sweeper; Power tampers of all types (except as shown in Group 2); Ram set gun and stud gun; Riprap stonepaver and rock-slinger, including placing of sacked concrete and/or sand (wet or dry) and gabions and similar type; Rotary scarifier or multiple head concrete chipping scarifier; Roto and Ditch Witch; Rototiller; Sandblaster, pot, gun, nozzle operators; Signalling and rigging; Tank cleaner; Tree climber; Turbo blaster; Vibrascreed, bull float in connection with laborers' work; Vibrator; Hazardous waste worker (lead removal); Asbestos and mold removal worker

GROUP 1-a: Joy drill model TWM-2A; Gardner-Denver model DH143 and similar type drills; Track driller; Jack leg driller; Wagon driller; Mechanical drillers, all types regardless of type or method of power; Mechanical pipe layers, all types regardless of type or method of power; Blaster and powder; All work of loading, placing and blasting of all powder and explosives of whatever type regardless of method used for such loading and placing; High scalers (including drilling of same); Tree topper; Bit grinder

GROUP 1-b: Sewer cleaners shall receive \$4.00 per day above Group 1 wage rates. "Sewer cleaner" means any worker who handles or comes in contact with raw sewage in small diameter sewers. Those who work inside recently active, large diameter sewers, and all recently active sewer manholes shall receive \$5.00 per day above Group 1 wage rates.

GROUP 1-c: Burning and welding in connection with laborers' work; Synthetic thermoplastics and similar type welding

GROUP 1-d: Maintenance and repair track and road beds. All employees performing work covered herein shall receive \$.25 per hour above their regular rate for all work performed on underground structures not specifically covered herein. This paragraph shall not be construed to apply to work below ground level in open cut. It shall apply to cut and cover work of subway construction after the temporary cover has been placed.

GROUP 1-e: Work on and/or in bell hole footings and shafts thereof, and work on and in deep footings. (A deep footing is a hole 15 feet or more in depth.) In the event the depth of the footing is unknown at the commencement of excavation, and the final depth exceeds 15 feet, the deep footing wage rate would apply to all employees for each and every day worked on or in the excavation of the footing from the date of inception.

GROUP 1-f: Wire winding machine in connection with guniting or shot crete

GROUP 2: Asphalt shoveler; Cement dumper and handling dry cement or gypsum; Choke-setter and rigger (clearing work); Concrete bucket dumper and chute; Concrete chipping and grinding; Concrete laborer (wet or dry); Driller tender, chuck tender, nipper; Guinea chaser (stake), grout crew; High pressure nozzle, adductor; Hydraulic monitor (over 100 lbs. pressure); Loading and unloading, carrying and hauling of all rods and materials for use in reinforcing concrete construction; Pittsburgh chipper and similar type brush shredders; Sloper; Single foot, hand-held, pneumatic tamper; All pneumatic, air, gas and electric tools not listed in Groups 1 through 1-f; Jacking of pipe - under 12 inches

GROUP 3: Construction laborers, including bridge and general laborer; Dump, load spotter; Flag person; Fire watcher; Fence erector; Guardrail erector; Gardener, horticultural and landscape laborer; Jetting; Limber, brush loader and piler; Pavement marker (button setter); Maintenance, repair track and road beds; Streetcar and railroad construction track laborer; Temporary air and water lines, Victaulic or similar; Tool room attendant (jobsite only)

GROUP 4: Final clean-up work of debris, grounds and building including but not limited to: street cleaner; cleaning and washing windows; brick cleaner (jobsite only); material cleaner (jobsite only). The classification "material cleaner" is to be utilized under the following conditions:

- A: at demolition site for the salvage of the material.
- B: at the conclusion of a job where the material is to be salvaged and stocked to be reused on another job.
- C: for the cleaning of salvage material at the jobsite or

temporary jobsite yard.

The material cleaner classification should not be used in the performance of ""form stripping, cleaning and oiling and moving to the next point of erection"".

GUNITE LABORER CLASSIFICATIONS

- GROUP 1: Structural Nozzleman
- GROUP 2: Nozzleman, Gunman, Potman, Groundman
- GROUP 3: Reboundman
- GROUP 4: Gunite laborer

WRECKING WORK LABORER CLASSIFICATIONS

- GROUP 1: Skilled wrecker (removing and salvaging of sash, windows and materials)
- GROUP 2: Semi-skilled wrecker (salvaging of other building materials)

LABO0073-009 07/01/2022

CALAVERAS AND SAN JOAQUIN COUNTIES

	Rates	Fringes
LABORER (Plaster Tender).....	\$ 38.02	28.25

Work on a swing stage scaffold: \$1.00 per hour additional.

LABO0261-003 06/28/2021

SAN FRANCISCO AND SAN MATEO COUNTIES

	Rates	Fringes
LABORER (TRAFFIC CONTROL/LANE CLOSURE)		
Escort Driver, Flag Person..	\$ 34.48	26.21
Traffic Control Person I...	\$ 34.78	26.21
Traffic Control Person II...	\$ 32.28	26.21

TRAFFIC CONTROL PERSON I: Layout of traffic control, crash cushions, construction area and roadside signage.

TRAFFIC CONTROL PERSON II: Installation and removal of temporary/permanent signs, markers, delineators and crash cushions.

LABO0261-005 07/01/2021

SAN FRANCISCO AND SAN MATEO COUNTIES

	Rates	Fringes
Tunnel and Shaft Laborers:		
GROUP 1.....	\$ 42.00	25.71
GROUP 2.....	\$ 41.77	25.71
GROUP 3.....	\$ 41.52	25.71
GROUP 4.....	\$ 41.07	25.71
GROUP 5.....	\$ 40.53	25.71
Shotcrete Specialist.....	\$ 42.52	25.71

TUNNEL AND SHAFT CLASSIFICATIONS

- GROUP 1: Diamond driller; Groundmen; Gunite and shotcrete nozzlelemen
- GROUP 2: Rodmen; Shaft work & raise (below actual or excavated ground level)
- GROUP 3: Bit grinder; Blaster, driller, powdermen, heading; Cherry pickermen - where car is lifted; Concrete finisher in tunnel; Concrete screedman; Grout pumpman and potman; Gunite & shotcrete gunman & potman; Headermen; High pressure nozzleman; Miner - tunnel, including top and bottom man on shaft and raise work; Nipper; Nozzleman on slick line; Sandblaster - potman, Robotic Shotcrete Placer, Segment Erector, Tunnel Muck Hauler, Steel Form raiser and setter; Timberman, retimberman (wood or steel or substitute

materials therefore); Tugger (for tunnel laborer work); Cable tender; Chuck tender; Powderman - primer house

GROUP 4: Vibrator operator, pavement breaker; Bull gang - muckers, trackmen; Concrete crew - includes rodding and spreading, Dumpmen (any method)

GROUP 5: Grout crew; Reboundman; Swamper/ Brakeman

LABO0261-009 06/25/2018

SAN FRANCISCO, AND SAN MATEO COUNTIES

	Rates	Fringes
LABORER (CONSTRUCTION CRAFT LABORERS - AREA A:)		
Construction Specialist		
Group.....	\$ 31.49	23.20
GROUP 1.....	\$ 30.79	23.20
GROUP 1-a.....	\$ 31.01	23.20
GROUP 1-c.....	\$ 30.84	23.20
GROUP 1-e.....	\$ 31.34	23.20
GROUP 1-f.....	\$ 31.37	23.20
GROUP 2.....	\$ 30.64	23.20
GROUP 3.....	\$ 30.54	23.20
GROUP 4.....	\$ 24.23	23.20
See groups 1-b and 1-d under laborer classifications.		
LABORER (GARDENERS, HORTICULTURAL & LANDSCAPE LABORERS - AREA A:)		
(1) New Construction.....	\$ 30.54	23.20
(2) Establishment Warranty Period.....	\$ 24.23	23.20
LABORER (WRECKING - AREA A:)		
GROUP 1.....	\$ 30.79	23.20
GROUP 2.....	\$ 30.64	23.20
Laborers: (GUNITE - AREA A:)		
GROUP 1.....	\$ 30.75	22.31
GROUP 2.....	\$ 30.25	22.31
GROUP 3.....	\$ 29.66	22.31
GROUP 4.....	\$ 29.54	22.31

FOOTNOTES:

Laborers working off or with or from bos'n chairs, swinging scaffolds, belts shall receive \$0.25 per hour above the applicable wage rate. This shall not apply to workers entitled to receive the wage rate set forth in Group 1-a below.

LABORER CLASSIFICATIONS

CONSTRUCTION SPECIALIST GROUP: Asphalt ironer and raker; Chainsaw; Laser beam in connection with laborers' work; Cast-in- place manhole form setter; Pressure pipelayer; Davis trencher - 300 or similar type (and all small trenchers); Blaster; Diamond driller; Multiple unit drill; Hydraulic drill

GROUP 1: Asphalt spreader boxes (all types); Barko, Wacker and similar type tampers; Buggymobile; Caulker, bander, pipewrapper, conduit layer, plastic pipelayer; Certified hazardous waste worker including Leade Abatement; Compactors of all types; Concrete and magnesite mixer, 1/2 yd. and under; Concrete pan work; Concrete sander; Concrete saw; Cribber and/or shoring; Cut granite curb setter; Dri-pak-it machine; Faller, logloader and bucket; Form raiser, slip forms; Green cutter; Headerboard, Hubsetter, aligner, by any method; High pressure blow pipe (1-1/2" or over, 100 lbs. pressure/over); Hydro seeder and similar type; Jackhammer operator; Jacking of pipe over 12 inches; Jackson and similar type compactor; Kettle tender, pot and worker applying asphalt, lay-kold, creosote, lime, caustic and similar type materials (applying means applying, dipping or handling of such materials); Lagging, sheeting, whaling, bracing, trenchjacking, lagging hammer; Magnesite, epoxyresin, fiberglass, mastic worker (wet or dry); No joint pipe and stripping of same, including repair of voids; Pavement breaker and spader, including tool grinder; Perma curb; Pipelayer (including grade checking in connection with pipelaying); Precast-manhole setter; Pressure pipe tester; Post hole digger, air, gas and electric; Power broom sweeper; Power tampers of all types (except as shown in Group 2); Ram set gun and stud gun; Riprap stonepaver and rock-slinger, including placing of sacked concrete and/or sand (wet or dry) and gabions and

similar type; Rotary scarifier or multiple head concrete chipping scarifier; Roto and Ditch Witch; Rototiller; Sandblaster, pot, gun, nozzle operators; Signalling and rigging; Tank cleaner; Tree climber; Turbo blaster; Vibrascreed, bull float in connection with laborers' work; Vibrator; Hazardous waste worker (lead removal); Asbestos and mold removal worker

GROUP 1-a: Joy drill model TWM-2A; Gardner-Denver model DH143 and similar type drills; Track driller; Jack leg driller; Wagon driller; Mechanical drillers, all types regardless of type or method of power; Mechanical pipe layers, all types regardless of type or method of power; Blaster and powder; All work of loading, placing and blasting of all powder and explosives of whatever type regardless of method used for such loading and placing; High scalers (including drilling of same); Tree topper; Bit grinder

GROUP 1-b: Sewer cleaners shall receive \$4.00 per day above Group 1 wage rates. "Sewer cleaner" means any worker who handles or comes in contact with raw sewage in small diameter sewers. Those who work inside recently active, large diameter sewers, and all recently active sewer manholes shall receive \$5.00 per day above Group 1 wage rates.

GROUP 1-c: Burning and welding in connection with laborers' work; Synthetic thermoplastics and similar type welding

GROUP 1-d: Maintenance and repair track and road beds. All employees performing work covered herein shall receive \$.25 per hour above their regular rate for all work performed on underground structures not specifically covered herein. This paragraph shall not be construed to apply to work below ground level in open cut. It shall apply to cut and cover work of subway construction after the temporary cover has been placed.

GROUP 1-e: Work on and/or in bell hole footings and shafts thereof, and work on and in deep footings. (A deep footing is a hole 15 feet or more in depth.) In the event the depth of the footing is unknown at the commencement of excavation, and the final depth exceeds 15 feet, the deep footing wage rate would apply to all employees for each and every day worked on or in the excavation of the footing from the date of inception.

GROUP 1-f: Wire winding machine in connection with guniting or shot crete

GROUP 2: Asphalt shoveler; Cement dumper and handling dry cement or gypsum; Choke-setter and rigger (clearing work); Concrete bucket dumper and chute; Concrete chipping and grinding; Concrete laborer (wet or dry); Driller tender, chuck tender, nipper; Guinea chaser (stake), grout crew; High pressure nozzle, adductor; Hydraulic monitor (over 100 lbs. pressure); Loading and unloading, carrying and hauling of all rods and materials for use in reinforcing concrete construction; Pittsburgh chipper and similar type brush shredders; Sloper; Single foot, hand-held, pneumatic tamper; All pneumatic, air, gas and electric tools not listed in Groups 1 through 1-f; Jacking of pipe - under 12 inches

GROUP 3: Construction laborers, including bridge and general laborer; Dump, load spotter; Flag person; Fire watcher; Fence erector; Guardrail erector; Gardener, horticultural and landscape laborer; Jetting; Limber, brush loader and piler; Pavement marker (button setter); Maintenance, repair track and road beds; Streetcar and railroad construction track laborer; Temporary air and water lines, Victaulic or similar; Tool room attendant (jobsite only)

GROUP 4: Final clean-up work of debris, grounds and building including but not limited to: street cleaner; cleaning and washing windows; brick cleaner (jobsite only); material cleaner (jobsite only). The classification "material cleaner" is to be utilized under the following conditions:
A: at demolition site for the salvage of the material.
B: at the conclusion of a job where the material is to be salvaged and stocked to be reused on another job.
C: for the cleaning of salvage material at the jobsite or temporary jobsite yard.

The material cleaner classification should not be used in the performance of "form stripping, cleaning and oiling and moving to the next point of erection".

GUNITE LABORER CLASSIFICATIONS

- GROUP 1: Structural Nozzleman
- GROUP 2: Nozzleman, Gunman, Potman, Groundman
- GROUP 3: Reboundman
- GROUP 4: Gunite laborer

WRECKING WORK LABORER CLASSIFICATIONS

- GROUP 1: Skilled wrecker (removing and salvaging of sash, windows and materials)
- GROUP 2: Semi-skilled wrecker (salvaging of other building materials)

LABO0261-011 07/01/2022

SAN FRANCISCO AND SAN MATEO COUNTIES:

	Rates	Fringes
MASON TENDER, BRICK.....	\$ 36.05	27.12

FOOTNOTES: Underground work such as sewers, manholes, catch basins, sewer pipes, telephone conduits, tunnels and cut trenches: \$5.00 per day additional. Work in live sewage: \$2.50 per day additional.

LABO0261-014 07/01/2022

SAN FRANCISCO AND SAN MATEO COUNTIES:

	Rates	Fringes
PLASTER TENDER.....	\$ 40.48	30.23

Work on a swing stage scaffold: \$1.00 per hour additional.

LABO0270-003 06/28/2021

AREA A: SANTA CLARA

AREA B: MONTEREY, SAN BENITO AND SANTA CRUZ COUNTIES

	Rates	Fringes
LABORER (TRAFFIC CONTROL/LANE CLOSURE)		
Escort Driver, Flag Person		
Area A.....	\$ 34.48	26.21
Area B.....	\$ 33.48	26.21
Traffic Control Person I		
Area A.....	\$ 34.78	26.21
Area B.....	\$ 33.78	26.21
Traffic Control Person II		
Area A.....	\$ 32.28	26.21
Area B.....	\$ 31.28	26.21

TRAFFIC CONTROL PERSON I: Layout of traffic control, crash cushions, construction area and roadside signage.

TRAFFIC CONTROL PERSON II: Installation and removal of temporary/permanent signs, markers, delineators and crash cushions.

LABO0270-004 07/01/2021

MONTEREY, SAN BENITO, SANTA CLARA, AND SANTA CRUZ COUNTIES

	Rates	Fringes
Tunnel and Shaft Laborers:		
GROUP 1.....	\$ 42.00	25.71
GROUP 2.....	\$ 41.77	25.71
GROUP 3.....	\$ 41.52	25.71
GROUP 4.....	\$ 41.07	25.71
GROUP 5.....	\$ 40.53	25.71
Shotcrete Specialist.....	\$ 42.52	25.71

TUNNEL AND SHAFT CLASSIFICATIONS

GROUP 1: Diamond driller; Groundmen; Gunitite and shotcrete nozzlelemen

GROUP 2: Rodmen; Shaft work & raise (below actual or excavated ground level)

GROUP 3: Bit grinder; Blaster, driller, powdermen, heading; Cherry pickermen - where car is lifted; Concrete finisher in tunnel; Concrete screedman; Grout pumpman and potman; Gunitite & shotcrete gunman & potman; Headermen; High pressure nozzleleman; Miner - tunnel, including top and bottom man on shaft and raise work; Nipper; Nozzleman on slick line; Sandblaster - potman, Robotic Shotcrete Placer, Segment Erector, Tunnel Muck Hauler, Steel Form raiser and setter; Timberman, retimberman (wood or steel or substitute materials therefore); Tugger (for tunnel laborer work); Cable tender; Chuck tender; Powderman - primer house

GROUP 4: Vibrator operator, pavement breaker; Bull gang - muckers, trackmen; Concrete crew - includes rodding and spreading, Dumpmen (any method)

GROUP 5: Grout crew; Reboundman; Swamper/ Brakeman

LAB00270-005 07/01/2022

MONTEREY AND SAN BENITO COUNTIES

	Rates	Fringes
LABORER		
Mason Tender-Brick.....	\$ 35.29	25.21

LAB00270-007 06/25/2018

MONTEREY, SAN BENITO, AND SANTA CRUZ, COUNTIES

	Rates	Fringes
LABORER (CONSTRUCTION CRAFT		
LABORERS - AREA B)		
Construction Specialist		
Group.....	\$ 30.40	23.20
GROUP 1.....	\$ 29.79	23.20
GROUP 1-a.....	\$ 30.01	23.20
GROUP 1-c.....	\$ 29.84	23.20
GROUP 1-e.....	\$ 30.34	23.20
GROUP 1-f.....	\$ 30.37	23.20
GROUP 2.....	\$ 29.64	23.20
GROUP 3.....	\$ 29.54	23.20
GROUP 4.....	\$ 23.23	23.20
See groups 1-b and 1-d under laborer classifications.		
LABORER (GARDENERS,		
HORTICULTURAL & LANDSCAPE		
LABORERS - AREA B)		
(1) New Construction.....	\$ 29.54	23.20
(2) Establishment Warranty		
Period.....	\$ 23.23	23.20
LABORER (GUNITITE - AREA B)		
GROUP 1.....	\$ 29.75	22.31
GROUP 2.....	\$ 29.25	22.31
GROUP 3.....	\$ 28.66	22.31
GROUP 4.....	\$ 28.54	22.31
LABORER (WRECKING - AREA B)		
GROUP 1.....	\$ 29.79	23.20
GROUP 2.....	\$ 29.64	23.20

FOOTNOTES:
Laborers working off or with or from bos'n chairs, swinging scaffolds, belts shall receive \$0.25 per hour above the applicable wage rate. This shall not apply to workers entitled to receive the wage rate set forth in Group 1-a below.

LABORER CLASSIFICATIONS

CONSTRUCTION SPECIALIST GROUP: Asphalt ironer and raker; Chainsaw; Laser beam in connection with laborers' work; Cast-in- place manhole form setter; Pressure pipelayer; Davis trencher - 300 or similar type (and all small trenchers); Blaster; Diamond driller; Multiple unit drill; Hydraulic drill

GROUP 1: Asphalt spreader boxes (all types); Barko, Wacker and similar type tampers; Buggymobile; Caulker, bander, pipewrapper, conduit layer, plastic pipelayer; Certified

hazardous waste worker including Leade Abatement;
Compactors of all types; Concrete and magnesite mixer, 1/2 yd. and under; Concrete pan work; Concrete sander; Concrete saw; Cribber and/or shoring; Cut granite curb setter; Dri-pak-it machine; Faller, logloader and bucket; Form raiser, slip forms; Green cutter; Headerboard, Hubsetter, aligner, by any method; High pressure blow pipe (1-1/2" or over, 100 lbs. pressure/over); Hydro seeder and similar type; Jackhammer operator; Jacking of pipe over 12 inches; Jackson and similar type compactor; Kettle tender, pot and worker applying asphalt, lay-kold, creosote, lime, caustic and similar type materials (applying means applying, dipping or handling of such materials); Lagging, sheeting, whaling, bracing, trenchjacking, lagging hammer; Magnesite, epoxyresin, fiberglass, mastic worker (wet or dry); No joint pipe and stripping of same, including repair of voids; Pavement breaker and spader, including tool grinder; Perma curb; Pipelayer (including grade checking in connection with pipelaying); Precast-manhole setter; Pressure pipe tester; Post hole digger, air, gas and electric; Power broom sweeper; Power tampers of all types (except as shown in Group 2); Ram set gun and stud gun; Riprap stonepaver and rock-slinger, including placing of sacked concrete and/or sand (wet or dry) and gabions and similar type; Rotary scarifier or multiple head concrete chipping scarifier; Roto and Ditch Witch; Rototiller; Sandblaster, pot, gun, nozzle operators; Signalling and rigging; Tank cleaner; Tree climber; Turbo blaster; Vibrascreed, bull float in connection with laborers' work; Vibrator; Hazardous waste worker (lead removal); Asbestos and mold removal worker

GROUP 1-a: Joy drill model TWM-2A; Gardner-Denver model DH143 and similar type drills; Track driller; Jack leg driller; Wagon driller; Mechanical drillers, all types regardless of type or method of power; Mechanical pipe layers, all types regardless of type or method of power; Blaster and powder; All work of loading, placing and blasting of all powder and explosives of whatever type regardless of method used for such loading and placing; High scalers (including drilling of same); Tree topper; Bit grinder

GROUP 1-b: Sewer cleaners shall receive \$4.00 per day above Group 1 wage rates. "Sewer cleaner" means any worker who handles or comes in contact with raw sewage in small diameter sewers. Those who work inside recently active, large diameter sewers, and all recently active sewer manholes shall receive \$5.00 per day above Group 1 wage rates.

GROUP 1-c: Burning and welding in connection with laborers' work; Synthetic thermoplastics and similar type welding

GROUP 1-d: Maintenance and repair track and road beds. All employees performing work covered herein shall receive \$.25 per hour above their regular rate for all work performed on underground structures not specifically covered herein. This paragraph shall not be construed to apply to work below ground level in open cut. It shall apply to cut and cover work of subway construction after the temporary cover has been placed.

GROUP 1-e: Work on and/or in bell hole footings and shafts thereof, and work on and in deep footings. (A deep footing is a hole 15 feet or more in depth.) In the event the depth of the footing is unknown at the commencement of excavation, and the final depth exceeds 15 feet, the deep footing wage rate would apply to all employees for each and every day worked on or in the excavation of the footing from the date of inception.

GROUP 1-f: Wire winding machine in connection with guniting or shot crete

GROUP 2: Asphalt shoveler; Cement dumper and handling dry cement or gypsum; Choke-setter and rigger (clearing work); Concrete bucket dumper and chute; Concrete chipping and grinding; Concrete laborer (wet or dry); Driller tender, chuck tender, nipper; Guinea chaser (stake), grout crew; High pressure nozzle, adductor; Hydraulic monitor (over 100 lbs. pressure); Loading and unloading, carrying and hauling of all rods and materials for use in reinforcing concrete construction; Pittsburgh chipper and similar type brush shredders; Sloper; Single foot, hand-held, pneumatic tamper; All pneumatic, air, gas and electric tools not listed in Groups 1 through 1-f; Jacking of pipe - under 12 inches

GROUP 3: Construction laborers, including bridge and general laborer; Dump, load spotter; Flag person; Fire watcher;

Fence erector; Guardrail erector; Gardener, horticultural and landscape laborer; Jetting; Limber, brush loader and piler; Pavement marker (button setter); Maintenance, repair track and road beds; Streetcar and railroad construction track laborer; Temporary air and water lines, Victaulic or similar; Tool room attendant (jobsite only)

GROUP 4: Final clean-up work of debris, grounds and building including but not limited to: street cleaner; cleaning and washing windows; brick cleaner (jobsite only); material cleaner (jobsite only). The classification "material cleaner" is to be utilized under the following conditions:
A: at demolition site for the salvage of the material.
B: at the conclusion of a job where the material is to be salvaged and stocked to be reused on another job.
C: for the cleaning of salvage material at the jobsite or temporary jobsite yard.

The material cleaner classification should not be used in the performance of "form stripping, cleaning and oiling and moving to the next point of erection".

GUNITE LABORER CLASSIFICATIONS

- GROUP 1: Structural Nozzleman
- GROUP 2: Nozzleman, Gunman, Potman, Groundman
- GROUP 3: Reboundman
- GROUP 4: Gunite laborer

WRECKING WORK LABORER CLASSIFICATIONS

- GROUP 1: Skilled wrecker (removing and salvaging of sash, windows and materials)
- GROUP 2: Semi-skilled wrecker (salvaging of other building materials)

LABO0270-010 06/25/2018

SANTA CLARA COUNTY

	Rates	Fringes
LABORER (CONSTRUCTION CRAFT		
LABORERS - AREA A:)		
Construction Specialist		
Group.....	\$ 31.49	23.20
GROUP 1.....	\$ 30.79	23.20
GROUP 1-a.....	\$ 31.01	23.20
GROUP 1-c.....	\$ 30.84	23.20
GROUP 1-e.....	\$ 31.34	23.20
GROUP 1-f.....	\$ 30.37	23.20
GROUP 2.....	\$ 30.64	23.20
GROUP 3.....	\$ 30.54	23.20
GROUP 4.....	\$ 24.23	23.20
See groups 1-b and 1-d under laborer classifications.		
LABORER (GARDENERS,		
HORTICULTURAL & LANDSCAPE		
LABORERS - AREA A:)		
(1) New Construction.....	\$ 30.54	23.20
(2) Establishment Warranty		
Period.....	\$ 24.23	23.20
LABORER (GUNITE - AREA A:)		
GROUP 1.....	\$ 30.75	22.31
GROUP 2.....	\$ 30.25	22.31
GROUP 3.....	\$ 29.66	22.31
GROUP 4.....	\$ 29.54	22.31
LABORER (WRECKING - AREA A:)		
GROUP 1.....	\$ 30.79	23.20
GROUP 2.....	\$ 30.64	23.20

FOOTNOTES:
Laborers working off or with or from bos'n chairs, swinging scaffolds, belts shall receive \$0.25 per hour above the applicable wage rate. This shall not apply to workers entitled to receive the wage rate set forth in Group 1-a below.

LABORER CLASSIFICATIONS

CONSTRUCTION SPECIALIST GROUP: Asphalt ironer and raker; Chainsaw; Laser beam in connection with laborers' work; Cast-in-place manhole form setter; Pressure pipelayer; Davis trencher - 300 or similar type (and all small trenchers); Blaster; Diamond driller; Multiple unit drill; Hydraulic drill

GROUP 1: Asphalt spreader boxes (all types); Barko, Wacker and similar type tampers; Buggymobile; Caulker, bander, pipewrapper, conduit layer, plastic pipelayer; Certified hazardous waste worker including Leade Abatement; Compactors of all types; Concrete and magnesite mixer, 1/2 yd. and under; Concrete pan work; Concrete sander; Concrete saw; Cribber and/or shoring; Cut granite curb setter; Dri-pak-it machine; Faller, logloader and buckler; Form raiser, slip forms; Green cutter; Headerboard, Hubsetter, aligner, by any method; High pressure blow pipe (1-1/2" or over, 100 lbs. pressure/over); Hydro seeder and similar type; Jackhammer operator; Jacking of pipe over 12 inches; Jackson and similar type compactor; Kettle tender, pot and worker applying asphalt, lay-kold, creosote, lime, caustic and similar type materials (applying means applying, dipping or handling of such materials); Lagging, sheeting, whaling, bracing, trenchjacking, lagging hammer; Magnesite, epoxyresin, fiberglass, mastic worker (wet or dry); No joint pipe and stripping of same, including repair of voids; Pavement breaker and spader, including tool grinder; Perma curb; Pipelayer (including grade checking in connection with pipelaying); Precast-manhole setter; Pressure pipe tester; Post hole digger, air, gas and electric; Power broom sweeper; Power tampers of all types (except as shown in Group 2); Ram set gun and stud gun; Riprap stonepaver and rock-slinger, including placing of sacked concrete and/or sand (wet or dry) and gabions and similar type; Rotary scarifier or multiple head concrete chipping scarifier; Roto and Ditch Witch; Rototiller; Sandblaster, pot, gun, nozzle operators; Signalling and rigging; Tank cleaner; Tree climber; Turbo blaster; Vibrascreed, bull float in connection with laborers' work; Vibrator; Hazardous waste worker (lead removal); Asbestos and mold removal worker

GROUP 1-a: Joy drill model TWM-2A; Gardner-Denver model DH143 and similar type drills; Track driller; Jack leg driller; Wagon driller; Mechanical drillers, all types regardless of type or method of power; Mechanical pipe layers, all types regardless of type or method of power; Blaster and powder; All work of loading, placing and blasting of all powder and explosives of whatever type regardless of method used for such loading and placing; High scalers (including drilling of same); Tree topper; Bit grinder

GROUP 1-b: Sewer cleaners shall receive \$4.00 per day above Group 1 wage rates. "Sewer cleaner" means any worker who handles or comes in contact with raw sewage in small diameter sewers. Those who work inside recently active, large diameter sewers, and all recently active sewer manholes shall receive \$5.00 per day above Group 1 wage rates.

GROUP 1-c: Burning and welding in connection with laborers' work; Synthetic thermoplastics and similar type welding

GROUP 1-d: Maintenance and repair track and road beds. All employees performing work covered herein shall receive \$.25 per hour above their regular rate for all work performed on underground structures not specifically covered herein. This paragraph shall not be construed to apply to work below ground level in open cut. It shall apply to cut and cover work of subway construction after the temporary cover has been placed.

GROUP 1-e: Work on and/or in bell hole footings and shafts thereof, and work on and in deep footings. (A deep footing is a hole 15 feet or more in depth.) In the event the depth of the footing is unknown at the commencement of excavation, and the final depth exceeds 15 feet, the deep footing wage rate would apply to all employees for each and every day worked on or in the excavation of the footing from the date of inception.

GROUP 1-f: Wire winding machine in connection with guniting or shot crete

GROUP 2: Asphalt shoveler; Cement dumper and handling dry cement or gypsum; Choke-setter and rigger (clearing work); Concrete bucket dumper and chute; Concrete chipping and grinding; Concrete laborer (wet or dry); Driller tender, chuck tender, nipper; Guinea chaser (stake), grout crew;

High pressure nozzle, adductor; Hydraulic monitor (over 100 lbs. pressure); Loading and unloading, carrying and hauling of all rods and materials for use in reinforcing concrete construction; Pittsburgh chipper and similar type brush shredders; Sloper; Single foot, hand-held, pneumatic tamper; All pneumatic, air, gas and electric tools not listed in Groups 1 through 1-f; Jacking of pipe - under 12 inches

GROUP 3: Construction laborers, including bridge and general laborer; Dump, load spotter; Flag person; Fire watcher; Fence erector; Guardrail erector; Gardener, horticultural and landscape laborer; Jetting; Limber, brush loader and piler; Pavement marker (button setter); Maintenance, repair track and road beds; Streetcar and railroad construction track laborer; Temporary air and water lines, Victaulic or similar; Tool room attendant (jobsite only)

GROUP 4: Final clean-up work of debris, grounds and building including but not limited to: street cleaner; cleaning and washing windows; brick cleaner (jobsite only); material cleaner (jobsite only). The classification "material cleaner" is to be utilized under the following conditions:
A: at demolition site for the salvage of the material.
B: at the conclusion of a job where the material is to be salvaged and stocked to be reused on another job.
C: for the cleaning of salvage material at the jobsite or temporary jobsite yard.

The material cleaner classification should not be used in the performance of "form stripping, cleaning and oiling and moving to the next point of erection".

GUNITE LABORER CLASSIFICATIONS

- GROUP 1: Structural Nozzleman
- GROUP 2: Nozzleman, Gunman, Potman, Groundman
- GROUP 3: Reboundman
- GROUP 4: Guniting laborer

WRECKING WORK LABORER CLASSIFICATIONS

- GROUP 1: Skilled wrecker (removing and salvaging of sash, windows and materials)
- GROUP 2: Semi-skilled wrecker (salvaging of other building materials)

LABO0270-011 07/01/2022

MONTEREY, SAN BENITO, SANTA CRUZ, SANTA CLARA COUNTIES

	Rates	Fringes
LABORER (Plaster Tender).....	\$ 39.23	29.59

Work on a swing stage scaffold: \$1.00 per hour additional.

LABO0294-001 07/01/2022

FRESNO, KINGS AND MADERA COUNTIES

	Rates	Fringes
LABORER (Brick)		
Mason Tender-Brick.....	\$ 35.29	25.21

LABO0294-002 06/28/2021

FRESNO, KINGS, AND MADERA COUNTIES

	Rates	Fringes
LABORER (TRAFFIC CONTROL/LANE CLOSURE)		
Escort Driver, Flag Person..	\$ 33.48	26.21
Traffic Control Person I...	\$ 33.78	26.21
Traffic Control Person II...	\$ 31.28	26.21

TRAFFIC CONTROL PERSON I: Layout of traffic control, crash cushions, construction area and roadside signage.

TRAFFIC CONTROL PERSON II: Installation and removal of temporary/permanent signs, markers, delineators and crash cushions.

LAB00294-005 07/01/2021

FRESNO, KINGS, AND MADERA COUNTIES

	Rates	Fringes
Tunnel and Shaft Laborers:		
GROUP 1.....	\$ 42.00	25.71
GROUP 2.....	\$ 41.77	25.71
GROUP 3.....	\$ 41.52	25.71
GROUP 4.....	\$ 41.07	25.71
GROUP 5.....	\$ 40.53	25.71
Shotcrete Specialist.....	\$ 42.52	25.71

TUNNEL AND SHAFT CLASSIFICATIONS

GROUP 1: Diamond driller; Groundmen; Gunite and shotcrete nozzlelemen

GROUP 2: Rodmen; Shaft work & raise (below actual or excavated ground level)

GROUP 3: Bit grinder; Blaster, driller, powdermen, heading; Cherry pickermen - where car is lifted; Concrete finisher in tunnel; Concrete screedman; Grout pumpman and potman; Gunite & shotcrete gunman & potman; Headermen; High pressure nozzleman; Miner - tunnel, including top and bottom man on shaft and raise work; Nipper; Nozzleman on slick line; Sandblaster - potman, Robotic Shotcrete Placer, Segment Erector, Tunnel Muck Hauler, Steel Form raiser and setter; Timberman, retimberman (wood or steel or substitute materials therefore); Tugger (for tunnel laborer work); Cable tender; Chuck tender; Powderman - primer house

GROUP 4: Vibrator operator, pavement breaker; Bull gang - muckers, trackmen; Concrete crew - includes rodding and spreading, Dumpmen (any method)

GROUP 5: Grout crew; Reboundman; Swamper/ Brakeman

LAB00294-008 06/25/2018

FRESNO, KINGS, AND MADERA COUNTIES

	Rates	Fringes
LABORER (CONSTRUCTION CRAFT LABORERS - AREA B:)		
Construction Specialist Group.....	\$ 30.49	23.20
GROUP 1.....	\$ 29.79	23.20
GROUP 1-a.....	\$ 30.01	23.20
GROUP 1-c.....	\$ 29.84	23.20
GROUP 1-e.....	\$ 30.34	23.20
GROUP 1-f.....	\$ 30.37	23.20
GROUP 2.....	\$ 29.64	23.20
GROUP 3.....	\$ 29.54	23.20
GROUP 4.....	\$ 23.23	23.20
See groups 1-b and 1-d under laborer classifications.		
LABORER (GARDENERS, HORTICULTURAL & LANDSCAPE LABORERS - AREA B:)		
(1) New Construction.....	\$ 29.54	23.20
(2) Establishment Warranty Period.....	\$ 23.23	23.20
LABORER (GUNITE - AREA B:)		
GROUP 1.....	\$ 29.75	22.31
GROUP 2.....	\$ 29.25	22.31
GROUP 3.....	\$ 28.66	22.31
GROUP 4.....	\$ 28.54	22.31
LABORER (WRECKING - AREA B:)		
GROUP 1.....	\$ 29.79	23.20
GROUP 2.....	\$ 29.64	23.20

FOOTNOTES: Laborers working off or with or from bos'n chairs, swinging scaffolds, belts shall receive \$0.25 per hour above the applicable wage rate. This shall not apply to workers entitled to receive the wage rate set forth in Group 1-a below.

LABORER CLASSIFICATIONS

CONSTRUCTION SPECIALIST GROUP: Asphalt ironer and raker; Chainsaw; Laser beam in connection with laborers' work; Cast-in-place manhole form setter; Pressure pipelayer; Davis trencher - 300 or similar type (and all small trenchers); Blaster; Diamond driller; Multiple unit drill; Hydraulic drill

GROUP 1: Asphalt spreader boxes (all types); Barko, Wacker and similar type tampers; Buggymobile; Caulker, bander, pipewrapper, conduit layer, plastic pipelayer; Certified hazardous waste worker including Leade Abatement; Compactors of all types; Concrete and magnesite mixer, 1/2 yd. and under; Concrete pan work; Concrete sander; Concrete saw; Cribber and/or shoring; Cut granite curb setter; Dri-pak-it machine; Faller, logloader and bucket; Form raiser, slip forms; Green cutter; Headerboard, Hubsetter, aligner, by any method; High pressure blow pipe (1-1/2" or over, 100 lbs. pressure/over); Hydro seeder and similar type; Jackhammer operator; Jacking of pipe over 12 inches; Jackson and similar type compactor; Kettle tender, pot and worker applying asphalt, lay-kold, creosote, lime, caustic and similar type materials (applying means applying, dipping or handling of such materials); Lagging, sheeting, whaling, bracing, trenchjacking, lagging hammer; Magnesite, epoxyresin, fiberglass, mastic worker (wet or dry); No joint pipe and stripping of same, including repair of voids; Pavement breaker and spader, including tool grinder; Perma curb; Pipelayer (including grade checking in connection with pipelaying); Precast-manhole setter; Pressure pipe tester; Post hole digger, air, gas and electric; Power broom sweeper; Power tampers of all types (except as shown in Group 2); Ram set gun and stud gun; Riprap stonepaver and rock-slinger, including placing of sacked concrete and/or sand (wet or dry) and gabions and similar type; Rotary scarifier or multiple head concrete chipping scarifier; Roto and Ditch Witch; Rototiller; Sandblaster, pot, gun, nozzle operators; Signalling and rigging; Tank cleaner; Tree climber; Turbo blaster; Vibrascreed, bull float in connection with laborers' work; Vibrator; Hazardous waste worker (lead removal); Asbestos and mold removal worker

GROUP 1-a: Joy drill model TWM-2A; Gardner-Denver model DH143 and similar type drills; Track driller; Jack leg driller; Wagon driller; Mechanical drillers, all types regardless of type or method of power; Mechanical pipe layers, all types regardless of type or method of power; Blaster and powder; All work of loading, placing and blasting of all powder and explosives of whatever type regardless of method used for such loading and placing; High scalers (including drilling of same); Tree topper; Bit grinder

GROUP 1-b: Sewer cleaners shall receive \$4.00 per day above Group 1 wage rates. "Sewer cleaner" means any worker who handles or comes in contact with raw sewage in small diameter sewers. Those who work inside recently active, large diameter sewers, and all recently active sewer manholes shall receive \$5.00 per day above Group 1 wage rates.

GROUP 1-c: Burning and welding in connection with laborers' work; Synthetic thermoplastics and similar type welding

GROUP 1-d: Maintenance and repair track and road beds. All employees performing work covered herein shall receive \$.25 per hour above their regular rate for all work performed on underground structures not specifically covered herein. This paragraph shall not be construed to apply to work below ground level in open cut. It shall apply to cut and cover work of subway construction after the temporary cover has been placed.

GROUP 1-e: Work on and/or in bell hole footings and shafts thereof, and work on and in deep footings. (A deep footing is a hole 15 feet or more in depth.) In the event the depth of the footing is unknown at the commencement of excavation, and the final depth exceeds 15 feet, the deep footing wage rate would apply to all employees for each and every day worked on or in the excavation of the footing from the date of inception.

GROUP 1-f: Wire winding machine in connection with guniting or shot crete

GROUP 2: Asphalt shoveler; Cement dumper and handling dry cement or gypsum; Choke-setter and rigger (clearing work); Concrete bucket dumper and chute; Concrete chipping and grinding; Concrete laborer (wet or dry); Driller tender,

chuck tender, nipper; Guinea chaser (stake), grout crew; High pressure nozzle, adductor; Hydraulic monitor (over 100 lbs. pressure); Loading and unloading, carrying and hauling of all rods and materials for use in reinforcing concrete construction; Pittsburgh chipper and similar type brush shredders; Sloper; Single foot, hand-held, pneumatic tamper; All pneumatic, air, gas and electric tools not listed in Groups 1 through 1-f; Jacking of pipe - under 12 inches

GROUP 3: Construction laborers, including bridge and general laborer; Dump, load spotter; Flag person; Fire watcher; Fence erector; Guardrail erector; Gardener, horticultural and landscape laborer; Jetting; Limber, brush loader and piler; Pavement marker (button setter); Maintenance, repair track and road beds; Streetcar and railroad construction track laborer; Temporary air and water lines, Victaulic or similar; Tool room attendant (jobsite only)

GROUP 4: Final clean-up work of debris, grounds and building including but not limited to: street cleaner; cleaning and washing windows; brick cleaner (jobsite only); material cleaner (jobsite only). The classification "material cleaner" is to be utilized under the following conditions:
A: at demolition site for the salvage of the material.
B: at the conclusion of a job where the material is to be salvaged and stocked to be reused on another job.
C: for the cleaning of salvage material at the jobsite or temporary jobsite yard.

The material cleaner classification should not be used in the performance of "form stripping, cleaning and oiling and moving to the next point of erection".

GUNITE LABORER CLASSIFICATIONS

- GROUP 1: Structural Nozzleman
- GROUP 2: Nozzleman, Gunman, Potman, Groundman
- GROUP 3: Reboundman
- GROUP 4: Guniting laborer

WRECKING WORK LABORER CLASSIFICATIONS

- GROUP 1: Skilled wrecker (removing and salvaging of sash, windows and materials)
- GROUP 2: Semi-skilled wrecker (salvaging of other building materials)

LABO0294-010 07/01/2022

CALAVERAS, FRESNO, KINGS, MADERA, MARIPOSA, MERCED, SAN JOAQUIN, STANISLAUS & TUOLUMNE

	Rates	Fringes
Plasterer tender.....	\$ 38.02	28.25
Work on a swing stage scaffold: \$1.00 per hour additional.		

LABO0294-011 07/01/2022

FRESNO, KINGS, AND MADERA COUNTIES

	Rates	Fringes
LABORER (Plaster Tender).....	\$ 38.02	28.25
Work on a swing stage scaffold: \$1.00 per hour additional.		

LABO0304-002 06/28/2021

ALAMEDA COUNTY

	Rates	Fringes
LABORER (TRAFFIC CONTROL/LANE CLOSURE)		
Escort Driver, Flag Person..	\$ 34.48	26.21
Traffic Control Person I...	\$ 34.78	26.21
Traffic Control Person II...	\$ 32.28	26.21

TRAFFIC CONTROL PERSON I: Layout of traffic control, crash cushions, construction area and roadside signage.

TRAFFIC CONTROL PERSON II: Installation and removal of temporary/permanent signs, markers, delineators and crash cushions.

LABO0304-003 07/01/2021

ALAMEDA COUNTY

	Rates	Fringes
Tunnel and Shaft Laborers:		
GROUP 1.....	\$ 42.00	25.71
GROUP 2.....	\$ 41.77	25.71
GROUP 3.....	\$ 41.52	25.71
GROUP 4.....	\$ 41.07	25.71
GROUP 5.....	\$ 40.53	25.71
Shotcrete Specialist.....	\$ 42.52	25.71

TUNNEL AND SHAFT CLASSIFICATIONS

GROUP 1: Diamond driller; Groundmen; Gunite and shotcrete nozzlelemen

GROUP 2: Rodmen; Shaft work & raise (below actual or excavated ground level)

GROUP 3: Bit grinder; Blaster, driller, powdermen, heading; Cherry pickermen - where car is lifted; Concrete finisher in tunnel; Concrete screedman; Grout pumpman and potman; Gunite & shotcrete gunman & potman; Headermen; High pressure nozzleleman; Miner - tunnel, including top and bottom man on shaft and raise work; Nipper; Nozzleman on slick line; Sandblaster - potman, Robotic Shotcrete Placer, Segment Erector, Tunnel Muck Hauler, Steel Form raiser and setter; Timberman, retimberman (wood or steel or substitute materials therefore); Tugger (for tunnel laborer work); Cable tender; Chuck tender; Powderman - primer house

GROUP 4: Vibrator operator, pavement breaker; Bull gang - muckers, trackmen; Concrete crew - includes rodding and spreading, Dumpmen (any method)

GROUP 5: Grout crew; Reboundman; Swamper/ Brakeman

LABO0304-004 06/25/2018

ALAMEDA COUNTY

	Rates	Fringes
LABORER (CONSTRUCTION CRAFT LABORERS - AREA A:)		
Construction Specialist		
Group.....	\$ 31.49	23.20
GROUP 1.....	\$ 30.79	23.20
GROUP 1-a.....	\$ 31.01	23.20
GROUP 1-c.....	\$ 30.84	23.20
GROUP 1-e.....	\$ 31.34	23.20
GROUP 1-f.....	\$ 30.37	23.20
GROUP 2.....	\$ 30.64	23.20
GROUP 3.....	\$ 30.54	23.20
GROUP 4.....	\$ 24.23	23.20

See groups 1-b and 1-d under laborer classifications.

LABORER (GARDENERS,
HORTICULTURAL & LANDSCAPE
LABORERS - AREA A:)

(1) New Construction.....	\$ 30.54	23.20
(2) Establishment Warranty Period.....	\$ 24.23	23.20

LABORER (GUNITE - AREA A:)

GROUP 1.....	\$ 30.75	22.31
GROUP 2.....	\$ 30.25	22.31
GROUP 3.....	\$ 29.66	22.31
GROUP 4.....	\$ 29.54	22.31

LABORER (WRECKING - AREA A:)

GROUP 1.....	\$ 30.79	23.20
GROUP 2.....	\$ 30.64	23.20

FOOTNOTES:

Laborers working off or with or from bos'n chairs, swinging scaffolds, belts shall receive \$0.25 per hour above the applicable wage rate. This shall not apply to workers entitled to receive the wage rate set forth in Group 1-a below.

LABORER CLASSIFICATIONS

CONSTRUCTION SPECIALIST GROUP: Asphalt ironer and raker; Chainsaw; Laser beam in connection with laborers' work; Cast-in-place manhole form setter; Pressure pipelayer; Davis trencher - 300 or similar type (and all small trenchers); Blaster; Diamond driller; Multiple unit drill; Hydraulic drill

GROUP 1: Asphalt spreader boxes (all types); Barko, Wacker and similar type tampers; Buggymobile; Caulker, bander, pipewrapper, conduit layer, plastic pipelayer; Certified hazardous waste worker including Leade Abatement; Compactors of all types; Concrete and magnesite mixer, 1/2 yd. and under; Concrete pan work; Concrete sander; Concrete saw; Cribber and/or shoring; Cut granite curb setter; Dri-pak-it machine; Faller, logloader and bucket; Form raiser, slip forms; Green cutter; Headerboard, Hubsetter, aligner, by any method; High pressure blow pipe (1-1/2" or over, 100 lbs. pressure/over); Hydro seeder and similar type; Jackhammer operator; Jacking of pipe over 12 inches; Jackson and similar type compactor; Kettle tender, pot and worker applying asphalt, lay-kold, creosote, lime, caustic and similar type materials (applying means applying, dipping or handling of such materials); Lagging, sheeting, whaling, bracing, trenchjacking, lagging hammer; Magnesite, epoxyresin, fiberglass, mastic worker (wet or dry); No joint pipe and stripping of same, including repair of voids; Pavement breaker and spader, including tool grinder; Perma curb; Pipelayer (including grade checking in connection with pipelaying); Precast-manhole setter; Pressure pipe tester; Post hole digger, air, gas and electric; Power broom sweeper; Power tampers of all types (except as shown in Group 2); Ram set gun and stud gun; Riprap stonepaver and rock-slinger, including placing of sacked concrete and/or sand (wet or dry) and gabions and similar type; Rotary scarifier or multiple head concrete chipping scarifier; Roto and Ditch Witch; Rototiller; Sandblaster, pot, gun, nozzle operators; Signalling and rigging; Tank cleaner; Tree climber; Turbo blaster; Vibrascreed, bull float in connection with laborers' work; Vibrator; Hazardous waste worker (lead removal); Asbestos and mold removal worker

GROUP 1-a: Joy drill model TWM-2A; Gardner-Denver model DH143 and similar type drills; Track driller; Jack leg driller; Wagon driller; Mechanical drillers, all types regardless of type or method of power; Mechanical pipe layers, all types regardless of type or method of power; Blaster and powder; All work of loading, placing and blasting of all powder and explosives of whatever type regardless of method used for such loading and placing; High scalers (including drilling of same); Tree topper; Bit grinder

GROUP 1-b: Sewer cleaners shall receive \$4.00 per day above Group 1 wage rates. "Sewer cleaner" means any worker who handles or comes in contact with raw sewage in small diameter sewers. Those who work inside recently active, large diameter sewers, and all recently active sewer manholes shall receive \$5.00 per day above Group 1 wage rates.

GROUP 1-c: Burning and welding in connection with laborers' work; Synthetic thermoplastics and similar type welding

GROUP 1-d: Maintenance and repair track and road beds. All employees performing work covered herein shall receive \$.25 per hour above their regular rate for all work performed on underground structures not specifically covered herein. This paragraph shall not be construed to apply to work below ground level in open cut. It shall apply to cut and cover work of subway construction after the temporary cover has been placed.

GROUP 1-e: Work on and/or in bell hole footings and shafts thereof, and work on and in deep footings. (A deep footing is a hole 15 feet or more in depth.) In the event the depth of the footing is unknown at the commencement of excavation, and the final depth exceeds 15 feet, the deep footing wage rate would apply to all employees for each and every day worked on or in the excavation of the footing from the date of inception.

GROUP 1-f: Wire winding machine in connection with guniting or shot crete

GROUP 2: Asphalt shoveler; Cement dumper and handling dry cement or gypsum; Choke-setter and rigger (clearing work); Concrete bucket dumper and chute; Concrete chipping and grinding; Concrete laborer (wet or dry); Driller tender, chuck tender, nipper; Guinea chaser (stake), grout crew; High pressure nozzle, adductor; Hydraulic monitor (over 100 lbs. pressure); Loading and unloading, carrying and hauling of all rods and materials for use in reinforcing concrete construction; Pittsburgh chipper and similar type brush shredders; Sloper; Single foot, hand-held, pneumatic tamper; All pneumatic, air, gas and electric tools not listed in Groups 1 through 1-f; Jacking of pipe - under 12 inches

GROUP 3: Construction laborers, including bridge and general laborer; Dump, load spotter; Flag person; Fire watcher; Fence erector; Guardrail erector; Gardener, horticultural and landscape laborer; Jetting; Limber, brush loader and piler; Pavement marker (button setter); Maintenance, repair track and road beds; Streetcar and railroad construction track laborer; Temporary air and water lines, Victaulic or similar; Tool room attendant (jobsite only)

GROUP 4: Final clean-up work of debris, grounds and building including but not limited to: street cleaner; cleaning and washing windows; brick cleaner (jobsite only); material cleaner (jobsite only). The classification "material cleaner" is to be utilized under the following conditions:

- A: at demolition site for the salvage of the material.
- B: at the conclusion of a job where the material is to be salvaged and stocked to be reused on another job.
- C: for the cleaning of salvage material at the jobsite or temporary jobsite yard.

The material cleaner classification should not be used in the performance of "form stripping, cleaning and oiling and moving to the next point of erection".

GUNITE LABORER CLASSIFICATIONS

- GROUP 1: Structural Nozzleman
- GROUP 2: Nozzleman, Gunman, Potman, Groundman
- GROUP 3: Reboundman
- GROUP 4: Guniting laborer

WRECKING WORK LABORER CLASSIFICATIONS

- GROUP 1: Skilled wrecker (removing and salvaging of sash, windows and materials)
- GROUP 2: Semi-skilled wrecker (salvaging of other building materials)

LAB00304-005 07/01/2022

ALAMEDA COUNTY

	Rates	Fringes
Brick Tender.....	\$ 36.05	27.12

FOOTNOTES: Work on jobs where heat-protective clothing is required: \$2.00 per hour additional. Work at grinders: \$.25 per hour additional. Manhole work: \$2.00 per day additional.

LAB00304-008 07/01/2022

ALAMEDA AND CONTRA COSTA COUNTIES:

	Rates	Fringes
Plasterer tender.....	\$ 40.48	30.23

Work on a swing stage scaffold: \$1.00 per hour additional.

LAB00324-002 06/28/2021

CONTRA COSTA COUNTY

	Rates	Fringes
--	-------	---------

LABORER (TRAFFIC CONTROL/LANE CLOSURE)

Escort Driver, Flag Person..\$	34.48	26.21
Traffic Control Person I...\$	34.78	26.21
Traffic Control Person II...\$	32.28	26.21

TRAFFIC CONTROL PERSON I: Layout of traffic control, crash cushions, construction area and roadside signage.

TRAFFIC CONTROL PERSON II: Installation and removal of temporary/permanent signs, markers, delineators and crash cushions.

LAB00324-006 06/25/2018

CONTRA COSTA COUNTY

	Rates	Fringes
Tunnel and Shaft Laborers:		
GROUP 1.....\$	37.82	24.11
GROUP 2.....\$	37.59	24.11
GROUP 3.....\$	37.34	24.11
GROUP 4.....\$	36.89	24.11
GROUP 5.....\$	36.35	24.11
Shotcrete Specialist.....\$	38.34	24.11

TUNNEL AND SHAFT CLASSIFICATIONS

- GROUP 1: Diamond driller; Groundmen; Guniting and shotcrete nozzle men
- GROUP 2: Rodmen; Shaft work & raise (below actual or excavated ground level)
- GROUP 3: Bit grinder; Blaster, driller, powdermen, heading; Cherry pickermen - where car is lifted; Concrete finisher in tunnel; Concrete screedman; Grout pumpman and potman; Guniting & shotcrete gunman & potman; Headermen; High pressure nozzle man; Miner - tunnel, including top and bottom man on shaft and raise work; Nipper; Nozzle man on slick line; Sandblaster - potman, Robotic Shotcrete Placer, Segment Erector, Tunnel Muck Hauler, Steel Form raiser and setter; Timberman, retimberman (wood or steel or substitute materials therefore); Tugger (for tunnel laborer work); Cable tender; Chuck tender; Powderman - primer house
- GROUP 4: Vibrator operator, pavement breaker; Bull gang - muckers, trackmen; Concrete crew - includes rodding and spreading, Dumpmen (any method)
- GROUP 5: Grout crew; Reboundman; Swamper/ Brakeman

LAB00324-012 06/25/2018

CONTRA COSTA COUNTY

	Rates	Fringes
LABORER (CONSTRUCTION CRAFT LABORERS - AREA A:)		
Construction Specialist		
Group.....\$	31.49	23.20
GROUP 1.....\$	30.79	23.20
GROUP 1-a.....\$	31.01	23.20
GROUP 1-c.....\$	30.84	23.20
GROUP 1-e.....\$	31.34	23.20
GROUP 1-f.....\$	30.37	23.20
GROUP 1-g.....\$	30.99	23.20
GROUP 2.....\$	30.64	23.20
GROUP 3.....\$	30.54	23.20
GROUP 4.....\$	24.23	23.20
See groups 1-b and 1-d under laborer classifications.		
LABORER (GARDENERS, HORTICULTURAL & LANDSCAPE LABORERS - AREA A:)		
(1) New Construction.....\$	30.54	23.20
(2) Establishment Warranty Period.....\$	24.23	23.20
LABORER (GUNITING - AREA A:)		
GROUP 1.....\$	30.75	22.31
GROUP 2.....\$	30.25	22.31
GROUP 3.....\$	29.66	22.31
GROUP 4.....\$	29.54	22.31
LABORER (WRECKING - AREA A:)		
GROUP 1.....\$	30.79	23.20
GROUP 2.....\$	30.64	23.20

FOOTNOTES:

Laborers working off or with or from bos'n chairs, swinging scaffolds, belts shall receive \$0.25 per hour above the applicable wage rate. This shall not apply to workers entitled to receive the wage rate set forth in Group 1-a below.

LABORER CLASSIFICATIONS

CONSTRUCTION SPECIALIST GROUP: Asphalt ironer and raker; Chainsaw; Laser beam in connection with laborers' work; Cast-in-place manhole form setter; Pressure pipelayer; Davis trencher - 300 or similar type (and all small trenchers); Blaster; Diamond driller; Multiple unit drill; Hydraulic drill

GROUP 1: Asphalt spreader boxes (all types); Barko, Wacker and similar type tampers; Buggymobile; Caulker, bander, pipewrapper, conduit layer, plastic pipelayer; Certified hazardous waste worker including Leade Abatement; Compactors of all types; Concrete and magnesite mixer, 1/2 yd. and under; Concrete pan work; Concrete sander; Concrete saw; Cribber and/or shoring; Cut granite curb setter; Dri-pak-it machine; Faller, logloader and buckler; Form raiser, slip forms; Green cutter; Headerboard, Hubsetter, aligner, by any method; High pressure blow pipe (1-1/2" or over, 100 lbs. pressure/over); Hydro seeder and similar type; Jackhammer operator; Jacking of pipe over 12 inches; Jackson and similar type compactor; Kettle tender, pot and worker applying asphalt, lay-kold, creosote, lime, caustic and similar type materials (applying means applying, dipping or handling of such materials); Lagging, sheeting, whaling, bracing, trenchjacking, lagging hammer; Magnesite, epoxyresin, fiberglass, mastic worker (wet or dry); No joint pipe and stripping of same, including repair of voids; Pavement breaker and spader, including tool grinder; Perma curb; Pipelayer (including grade checking in connection with pipelaying); Precast-manhole setter; Pressure pipe tester; Post hole digger, air, gas and electric; Power broom sweeper; Power tampers of all types (except as shown in Group 2); Ram set gun and stud gun; Riprap stonepaver and rock-slinger, including placing of sacked concrete and/or sand (wet or dry) and gabions and similar type; Rotary scarifier or multiple head concrete chipping scarifier; Roto and Ditch Witch; Rototiller; Sandblaster, pot, gun, nozzle operators; Signalling and rigging; Tank cleaner; Tree climber; Turbo blaster; Vibrascreed, bull float in connection with laborers' work; Vibrator; Hazardous waste worker (lead removal); Asbestos and mold removal worker

GROUP 1-a: Joy drill model TWM-2A; Gardner-Denver model DH143 and similar type drills; Track driller; Jack leg driller; Wagon driller; Mechanical drillers, all types regardless of type or method of power; Mechanical pipe layers, all types regardless of type or method of power; Blaster and powder; All work of loading, placing and blasting of all powder and explosives of whatever type regardless of method used for such loading and placing; High scalers (including drilling of same); Tree topper; Bit grinder

GROUP 1-b: Sewer cleaners shall receive \$4.00 per day above Group 1 wage rates. "Sewer cleaner" means any worker who handles or comes in contact with raw sewage in small diameter sewers. Those who work inside recently active, large diameter sewers, and all recently active sewer manholes shall receive \$5.00 per day above Group 1 wage rates.

GROUP 1-c: Burning and welding in connection with laborers' work; Synthetic thermoplastics and similar type welding

GROUP 1-d: Maintenance and repair track and road beds. All employees performing work covered herein shall receive \$.25 per hour above their regular rate for all work performed on underground structures not specifically covered herein. This paragraph shall not be construed to apply to work below ground level in open cut. It shall apply to cut and cover work of subway construction after the temporary cover has been placed.

GROUP 1-e: Work on and/or in bell hole footings and shafts thereof, and work on and in deep footings. (A deep footing is a hole 15 feet or more in depth.) In the event the depth of the footing is unknown at the commencement of excavation, and the final depth exceeds 15 feet, the deep footing wage rate would apply to all employees for each and

every day worked on or in the excavation of the footing from the date of inception.

GROUP 1-f: Wire winding machine in connection with guniting or shot crete

GROUP 1-g, CONTRA COSTA COUNTY: Pipelayer (including grade checking in connection with pipelaying); Caulker; Bander; Pipewrapper; Conduit layer; Plastic pipe layer; Pressure pipe tester; No joint pipe and stripping of same, including repair of voids; Precast manhole setters, cast in place manhole form setters

GROUP 2: Asphalt shoveler; Cement dumper and handling dry cement or gypsum; Choke-setter and rigger (clearing work); Concrete bucket dumper and chute; Concrete chipping and grinding; Concrete laborer (wet or dry); Driller tender, chuck tender, nipper; Guinea chaser (stake), grout crew; High pressure nozzle, adductor; Hydraulic monitor (over 100 lbs. pressure); Loading and unloading, carrying and hauling of all rods and materials for use in reinforcing concrete construction; Pittsburgh chipper and similar type brush shredders; Sloper; Single foot, hand-held, pneumatic tamper; All pneumatic, air, gas and electric tools not listed in Groups 1 through 1-f; Jacking of pipe - under 12 inches

GROUP 3: Construction laborers, including bridge and general laborer; Dump, load spotter; Flag person; Fire watcher; Fence erector; Guardrail erector; Gardener, horticultural and landscape laborer; Jetting; Limber, brush loader and piler; Pavement marker (button setter); Maintenance, repair track and road beds; Streetcar and railroad construction track laborer; Temporary air and water lines, Victaulic or similar; Tool room attendant (jobsite only)

GROUP 4: Final clean-up work of debris, grounds and building including but not limited to: street cleaner; cleaning and washing windows; brick cleaner (jobsite only); material cleaner (jobsite only). The classification "material cleaner" is to be utilized under the following conditions:

- A: at demolition site for the salvage of the material.
- B: at the conclusion of a job where the material is to be salvaged and stocked to be reused on another job.
- C: for the cleaning of salvage material at the jobsite or temporary jobsite yard.

The material cleaner classification should not be used in the performance of "form stripping, cleaning and oiling and moving to the next point of erection".

GUNITE LABORER CLASSIFICATIONS

GROUP 1: Structural Nozzleman

GROUP 2: Nozzleman, Gunman, Potman, Groundman

GROUP 3: Reboundman

GROUP 4: Guniting laborer

WRECKING WORK LABORER CLASSIFICATIONS

GROUP 1: Skilled wrecker (removing and salvaging of sash, windows and materials)

GROUP 2: Semi-skilled wrecker (salvaging of other building materials)

GROUP 1-g, CONTRA COSTA COUNTY: Pipelayer (including grade checking in connection with pipelaying); Caulker; Bander; Pipewrapper; Conduit layer; Plastic pipe layer; Pressure pipe tester; No joint pipe and stripping of same, including repair of voids; Precast manhole setters, cast in place manhole form setters

LAB00324-014 07/01/2022

CONTRA COSTA COUNTY:

	Rates	Fringes
Brick Tender.....	\$ 36.05	27.12

FOOTNOTES: Work on jobs where heat-protective clothing is required: \$2.00 per hour additional. Work at grinders: \$.25 per hour additional. Manhole work: \$2.00 per day additional.

LABO0324-018 07/01/2022

ALAMEDA AND CONTRA COSTA COUNTIES:

	Rates	Fringes
Plasterer tender.....	\$ 40.48	30.23

Work on a swing stage scaffold: \$1.00 per hour additional.

LABO1130-002 06/28/2021

MARIPOSA, MERCED, STANISLAUS, AND TUOLUMNE COUNTIES

	Rates	Fringes
LABORER (TRAFFIC CONTROL/LANE CLOSURE)		
Escort Driver, Flag Person..	\$ 33.48	26.21
Traffic Control Person I...	\$ 33.78	26.21
Traffic Control Person II...	\$ 31.28	26.21

TRAFFIC CONTROL PERSON I: Layout of traffic control, crash cushions, construction area and roadside signage.

TRAFFIC CONTROL PERSON II: Installation and removal of temporary/permanent signs, markers, delineators and crash cushions.

LABO1130-003 06/26/2017

MARIPOSA, MERCED, STANISLAUS, AND TUOLUMNE COUNTIES

	Rates	Fringes
Tunnel and Shaft Laborers:		
GROUP 1.....	\$ 36.60	24.83
GROUP 2.....	\$ 36.37	24.83
GROUP 3.....	\$ 36.12	24.83
GROUP 4.....	\$ 35.67	24.83
GROUP 5.....	\$ 35.13	24.83
Shotcrete Specialist.....	\$ 37.12	24.83

TUNNEL AND SHAFT CLASSIFICATIONS

GROUP 1: Diamond driller; Groundmen; Guniting and shotcrete nozzlemen

GROUP 2: Rodmen; Shaft work & raise (below actual or excavated ground level)

GROUP 3: Bit grinder; Blaster, driller, powdermen, heading; Cherry pickermen - where car is lifted; Concrete finisher in tunnel; Concrete screedman; Grout pumpman and potman; Guniting & shotcrete gunman & potman; Headermen; High pressure nozzleman; Miner - tunnel, including top and bottom man on shaft and raise work; Nipper; Nozzleman on slick line; Sandblaster - potman, Robotic Shotcrete Placer, Segment Erector, Tunnel Muck Hauler, Steel Form raiser and setter; Timberman, retimberman (wood or steel or substitute materials therefore); Tugger (for tunnel laborer work); Cable tender; Chuck tender; Powderman - primer house

GROUP 4: Vibrator operator, pavement breaker; Bull gang - muckers, trackmen; Concrete crew - includes rodding and spreading, Dumpmen (any method)

GROUP 5: Grout crew; Reboundman; Swamper/ Brakeman

LABO1130-005 07/01/2022

MARIPOSA, MERCED, STANISLAUS AND TUOLUMNE COUNTIES

	Rates	Fringes
LABORER		
Mason Tender-Brick.....	\$ 35.29	25.21

LABO1130-007 06/25/2018

MARIPOSA, MERCED, STANISLAUS, AND TUOLUMNE , COUNTIES

	Rates	Fringes
--	-------	---------

LABORER (CONSTRUCTION CRAFT
LABORERS - AREA B:)

Construction Specialist		
Group.....	\$ 30.49	23.20
GROUP 1.....	\$ 29.79	23.20
GROUP 1-a.....	\$ 30.01	23.20
GROUP 1-c.....	\$ 29.84	23.20
GROUP 1-e.....	\$ 30.34	23.20
GROUP 1-f.....	\$ 29.37	23.20
GROUP 2.....	\$ 29.64	23.20
GROUP 3.....	\$ 29.54	23.20
GROUP 4.....	\$ 23.23	23.20

See groups 1-b and 1-d under laborer classifications.

LABORER (GARDENERS,
HORTICULTURAL & LANDSCAPE
LABORERS - AREA B:)

(1) New Construction.....	\$ 29.54	23.20
(2) Establishment Warranty Period.....	\$ 23.23	23.20

LABORER (GUNITE - AREA B:)

GROUP 1.....	\$ 29.75	22.31
GROUP 2.....	\$ 29.25	22.31
GROUP 3.....	\$ 28.66	22.31
GROUP 4.....	\$ 28.54	22.31

LABORER (WRECKING - AREA B:)

GROUP 1.....	\$ 29.79	23.20
GROUP 2.....	\$ 29.64	23.20

FOOTNOTES:

Laborers working off or with or from bos'n chairs, swinging scaffolds, belts shall receive \$0.25 per hour above the applicable wage rate. This shall not apply to workers entitled to receive the wage rate set forth in Group 1-a below.

LABORER CLASSIFICATIONS

CONSTRUCTION SPECIALIST GROUP: Asphalt ironer and raker; Chainsaw; Laser beam in connection with laborers' work; Cast-in- place manhole form setter; Pressure pipelayer; Davis trencher - 300 or similar type (and all small trenchers); Blaster; Diamond driller; Multiple unit drill; Hydraulic drill

GROUP 1: Asphalt spreader boxes (all types); Barko, Wacker and similar type tampers; Buggymobile; Caulker, bander, pipewrapper, conduit layer, plastic pipelayer; Certified hazardous waste worker including Leade Abatement; Compactors of all types; Concrete and magnesite mixer, 1/2 yd. and under; Concrete pan work; Concrete sander; Concrete saw; Cribber and/or shoring; Cut granite curb setter; Dri-pak-it machine; Faller, logloader and bucket; Form raiser, slip forms; Green cutter; Headerboard, Hubsetter, aligner, by any method; High pressure blow pipe (1-1/2" or over, 100 lbs. pressure/over); Hydro seeder and similar type; Jackhammer operator; Jacking of pipe over 12 inches; Jackson and similar type compactor; Kettle tender, pot and worker applying asphalt, lay-kold, creosote, lime, caustic and similar type materials (applying means applying, dipping or handling of such materials); Lagging, sheeting, whaling, bracing, trenchjacking, lagging hammer; Magnesite, epoxyresin, fiberglass, mastic worker (wet or dry); No joint pipe and stripping of same, including repair of voids; Pavement breaker and spader, including tool grinder; Perma curb; Pipelayer (including grade checking in connection with pipelaying); Precast-manhole setter; Pressure pipe tester; Post hole digger, air, gas and electric; Power broom sweeper; Power tampers of all types (except as shown in Group 2); Ram set gun and stud gun; Riprap stonepaver and rock-slinger, including placing of sacked concrete and/or sand (wet or dry) and gabions and similar type; Rotary scarifier or multiple head concrete chipping scarifier; Roto and Ditch Witch; Rototiller; Sandblaster, pot, gun, nozzle operators; Signalling and rigging; Tank cleaner; Tree climber; Turbo blaster; Vibrascreed, bull float in connection with laborers' work; Vibrator; Hazardous waste worker (lead removal); Asbestos and mold removal worker

GROUP 1-a: Joy drill model TWM-2A; Gardner-Denver model DH143 and similar type drills; Track driller; Jack leg driller; Wagon driller; Mechanical drillers, all types regardless of type or method of power; Mechanical pipe layers, all types regardless of type or method of power; Blaster and powder; All work of loading, placing and blasting of all powder and explosives of whatever type regardless of method used for

such loading and placing; High scalers (including drilling of same); Tree topper; Bit grinder

GROUP 1-b: Sewer cleaners shall receive \$4.00 per day above Group 1 wage rates. "Sewer cleaner" means any worker who handles or comes in contact with raw sewage in small diameter sewers. Those who work inside recently active, large diameter sewers, and all recently active sewer manholes shall receive \$5.00 per day above Group 1 wage rates.

GROUP 1-c: Burning and welding in connection with laborers' work; Synthetic thermoplastics and similar type welding

GROUP 1-d: Maintenance and repair track and road beds. All employees performing work covered herein shall receive \$.25 per hour above their regular rate for all work performed on underground structures not specifically covered herein. This paragraph shall not be construed to apply to work below ground level in open cut. It shall apply to cut and cover work of subway construction after the temporary cover has been placed.

GROUP 1-e: Work on and/or in bell hole footings and shafts thereof, and work on and in deep footings. (A deep footing is a hole 15 feet or more in depth.) In the event the depth of the footing is unknown at the commencement of excavation, and the final depth exceeds 15 feet, the deep footing wage rate would apply to all employees for each and every day worked on or in the excavation of the footing from the date of inception.

GROUP 1-f: Wire winding machine in connection with guniting or shot crete

GROUP 2: Asphalt shoveler; Cement dumper and handling dry cement or gypsum; Choke-setter and rigger (clearing work); Concrete bucket dumper and chute; Concrete chipping and grinding; Concrete laborer (wet or dry); Driller tender, chuck tender, nipper; Guinea chaser (stake), grout crew; High pressure nozzle, adductor; Hydraulic monitor (over 100 lbs. pressure); Loading and unloading, carrying and hauling of all rods and materials for use in reinforcing concrete construction; Pittsburgh chipper and similar type brush shredders; Sloper; Single foot, hand-held, pneumatic tamper; All pneumatic, air, gas and electric tools not listed in Groups 1 through 1-f; Jacking of pipe - under 12 inches

GROUP 3: Construction laborers, including bridge and general laborer; Dump, load spotter; Flag person; Fire watcher; Fence erector; Guardrail erector; Gardener, horticultural and landscape laborer; Jetting; Limber, brush loader and piler; Pavement marker (button setter); Maintenance, repair track and road beds; Streetcar and railroad construction track laborer; Temporary air and water lines, Victaulic or similar; Tool room attendant (jobsite only)

GROUP 4: Final clean-up work of debris, grounds and building including but not limited to: street cleaner; cleaning and washing windows; brick cleaner (jobsite only); material cleaner (jobsite only). The classification "material cleaner" is to be utilized under the following conditions:
A: at demolition site for the salvage of the material.
B: at the conclusion of a job where the material is to be salvaged and stocked to be reused on another job.
C: for the cleaning of salvage material at the jobsite or temporary jobsite yard.

The material cleaner classification should not be used in the performance of "form stripping, cleaning and oiling and moving to the next point of erection".

GUNITE LABORER CLASSIFICATIONS

- GROUP 1: Structural Nozzleman
- GROUP 2: Nozzleman, Gunman, Potman, Groundman
- GROUP 3: Reboundman
- GROUP 4: Guniting laborer

WRECKING WORK LABORER CLASSIFICATIONS

- GROUP 1: Skilled wrecker (removing and salvaging of sash,

windows and materials)

GROUP 2: Semi-skilled wrecker (salvaging of other building materials)

LABO1130-008 07/01/2022

CALAVERAS, FRESNO, KINGS, MADERA, MARIPOSA, MERCED, SAN JOAQUIN, STANISLAUS & TUOLUMNE

	Rates	Fringes
Plasterer tender.....	\$ 38.02	28.25

Work on a swing stage scaffold: \$1.00 per hour additional.

LABO1130-009 07/01/2022

MARIPOSA, MERCED, STANISLAUS, AND TUOLUMNE COUNTIES

	Rates	Fringes
LABORER (Plaster Tender).....	\$ 38.02	28.25

Work on a swing stage scaffold: \$1.00 per hour additional.

PAIN0016-001 01/01/2023

ALAMEDA, CONTRA COSTA, MONTEREY, SAN BENITO, SAN MATEO, SANTA CLARA, AND SANTA CRUZ COUNTIES

	Rates	Fringes
Painters:.....	\$ 47.42	27.28

PREMIUMS:

EXOTIC MATERIALS - \$1.25 additional per hour.
 SPRAY WORK: - \$0.50 additional per hour.
 INDUSTRIAL PAINTING - \$0.25 additional per hour
 [Work on industrial buildings used for the manufacture and processing of goods for sale or service; steel construction (bridges), stacks, towers, tanks, and similar structures]

HIGH WORK:
 over 50 feet - \$2.00 per hour additional
 100 to 180 feet - \$4.00 per hour additional
 Over 180 feet - \$6.00 per hour additional

* PAIN0016-003 07/01/2023

AREA 1: ALAMEDA, CONTRA COSTA, SAN FRANCISCO, SAN MATEO & SANTA CLARA COUNTIES

AREA 2: CALAVERAS, MARIPOSA, MERCED, MONTEREY, SAN BENITO, SAN JOAQUIN, SANTA CRUZ, STANISLAUS & TUOLUMNE COUNTIES

	Rates	Fringes
Drywall Finisher/Taper		
AREA 1.....	\$ 60.41	31.34
AREA 2.....	\$ 56.28	29.94

PAIN0016-012 01/01/2023

ALAMEDA, CONTRA COSTA, MARIPOSA, MERCED, MONTEREY, SAN BENITO, SAN FRANCISCO, SAN MATEO, SANTA CLARA AND SANTA CRUZ COUNTIES

	Rates	Fringes
SOFT FLOOR LAYER.....	\$ 55.25	32.63

PAIN0016-015 01/01/2023

CALAVERAS, MARIPOSA, MERCED, SAN JOAQUIN, STANISLAUS & TUOLUMNE COUNTIES

	Rates	Fringes
PAINTER		
Brush.....	\$ 38.23	22.05

FOOTNOTES:

SPRAY/SANDBLAST: \$0.50 additional per hour.
 EXOTIC MATERIALS: \$1.25 additional per hour.
 HIGH TIME: Over 50 ft above ground or water level \$2.00 additional per hour. 100 to 180 ft above ground or water level \$4.00 additional per hour. Over 180 ft above ground or water level \$6.00 additional per hour.

 PAIN0016-022 01/01/2023

SAN FRANCISCO COUNTY

	Rates	Fringes
PAINTER.....	\$ 51.04	27.28

 PAIN0169-001 01/01/2023

FRESNO, KINGS, MADERA, MARIPOSA AND MERCED COUNTIES:

	Rates	Fringes
GLAZIER.....	\$ 44.33	28.88

 PAIN0169-005 01/01/2023

ALAMEDA CONTRA COSTA, MONTEREY, SAN BENITO, SAN FRANCISCO, SAN MATEO, SANTA CLARA & SANTA CRUZ COUNTIES

	Rates	Fringes
GLAZIER.....	\$ 55.77	32.45

 PAIN0294-004 01/01/2023

FRESNO, KINGS AND MADERA COUNTIES

	Rates	Fringes
PAINTER		
Brush, Roller.....	\$ 32.99	21.30
Drywall Finisher/Taper.....	\$ 47.11	28.99

FOOTNOTE:
 Spray Painters & Paperhangers recive \$1.00 additional per hour. Painters doing Drywall Patching receive \$1.25 additional per hour. Lead Abaters & Sandblasters receive \$1.50 additional per hour. High Time - over 30 feet (does not include work from a lift) \$0.75 per hour additional.

 PAIN0294-005 01/01/2023

FRESNO, KINGS & MADERA

	Rates	Fringes
SOFT FLOOR LAYER.....	\$ 38.53	23.19

 PAIN0767-001 01/01/2023

CALAVERAS, SAN JOAQUIN, STANISLAUS AND TUOLUMNE COUNTIES:

	Rates	Fringes
GLAZIER.....	\$ 43.15	33.72

PAID HOLIDAYS: New Year's Day, Martin Luther King, Jr. Day, President's Day, Memorial Day, Independence Day, Labor Day, Veteran's Day, Thanksgiving Day, and Christmas Day.

Employee required to wear a body harness shall receive \$1.50 per hour above the basic hourly rate at any elevation.

 PAIN1176-001 07/01/2022

HIGHWAY IMPROVEMENT

	Rates	Fringes
Parking Lot Striping/Highway Marking:		
GROUP 1.....	\$ 40.83	17.62
GROUP 2.....	\$ 34.71	17.62
GROUP 3.....	\$ 35.11	17.62

CLASSIFICATIONS

GROUP 1: Striper: Layout and application of painted traffic stripes and marking; hot thermo plastic; tape, traffic stripes and markings

GROUP 2: Gamecourt & Playground Installer

GROUP 3: Protective Coating, Pavement Sealing

PAIN1237-003 01/01/2023

CALAVERAS; SAN JOAQUIN COUNTIES; STANISLAUS AND TUOLUMNE COUNTIES:

	Rates	Fringes
SOFT FLOOR LAYER.....	\$ 46.24	25.96

PLAS0066-002 07/01/2019

ALAMEDA, CONTRA COSTA, SAN MATEO AND SAN FRANCISCO COUNTIES:

	Rates	Fringes
PLASTERER.....	\$ 42.41	30.73

PLAS0300-001 07/01/2018

	Rates	Fringes
PLASTERER		
AREA 188: Fresno.....	\$ 32.70	31.68
AREA 224: San Benito, Santa Clara, Santa Cruz....	\$ 32.88	31.68
AREA 295: Calaveras & San Joaquin Couonties.....	\$ 32.70	31.68
AREA 337: Monterey County..	\$ 32.88	31.68
AREA 429: Mariposa, Merced, Stanislaus, Tuolumne Counties.....	\$ 32.70	31.68

PLAS0300-005 07/01/2016

	Rates	Fringes
CEMENT MASON/CONCRETE FINISHER...	\$ 32.15	23.27

PLUM0038-001 07/01/2022

SAN FRANCISCO COUNTY

	Rates	Fringes
PLUMBER (Plumber, Steamfitter, Refrigeration Fitter).....	\$ 82.00	48.18

PLUM0038-005 07/01/2022

SAN FRANCISCO COUNTY

	Rates	Fringes
Landscape/Irrigation Fitter (Underground/Utility Fitter).....	\$ 69.70	33.15

PLUM0062-001 07/01/2023

MONTEREY AND SANTA CRUZ COUNTIES

	Rates	Fringes
PLUMBER & STEAMFITTER.....	\$ 51.00	40.10

PLUM0159-001 07/01/2022

CONTRA COSTA COUNTY

	Rates	Fringes
Plumber and steamfitter		
(1) Refrigeration.....	\$ 56.93	41.04
(2) All other work.....	\$ 62.12	45.24

PLUM0246-001 01/01/2023

FRESNO, KINGS & MADERA COUNTIES

	Rates	Fringes
--	-------	---------

PLUMBER & STEAMFITTER.....\$ 46.95 38.59

* PLUM0246-004 01/01/2017

FRESNO, MERCED & SAN JOAQUIN COUNTIES

	Rates	Fringes
PLUMBER (PIPE TRADESMAN).....	\$ 13.00 **	10.74

PIPE TRADESMAN SCOPE OF WORK:

Installation of corrugated metal piping for drainage, as well as installation of corrugated metal piping for culverts in connection with storm sewers and drains; Grouting, dry packing and diapering of joints, holes or chases including paving over joints, in piping; Temporary piping for dirt work for building site preparation; Operating jack hammers, pavement breakers, chipping guns, concrete saws and spades to cut holes, chases and channels for piping systems; Digging, grading, backfilling and ground preparation for all types of pipe to all points of the jobsite; Ground preparation including ground leveling, layout and planting of shrubbery, trees and ground cover, including watering, mowing, edging, pruning and fertilizing, the breaking of concrete, digging, backfilling and tamping for the preparation and completion of all work in connection with lawn sprinkler and landscaping; Loading, unloading and distributing materials at jobsite; Putting away materials in storage bins in jobsite secure storage area; Demolition of piping and fixtures for remodeling and additions; Setting up and tearing down work benches, ladders and job shacks; Clean-up and sweeping of jobsite; Pipe wrapping and waterproofing where tar or similar material is applied for protection of buried piping; Flagman

PLUM0342-001 07/01/2022

ALAMEDA & CONTRA COSTA COUNTIES

	Rates	Fringes
PIPEFITTER CONTRA COSTA COUNTY.....	\$ 72.00	45.70
PLUMBER, PIPEFITTER, STEAMFITTER ALAMEDA COUNTY.....	\$ 72.00	45.70

PLUM0355-004 07/01/2022

ALAMEDA, CALAVERAS, CONTRA COSTA, FRESNO, KINGS, MADERA, MARIPOSA, MERCED, MONTEREY, SAN BENITO, SAN JOAQUIN, SAN MATEO, SANTA CLARA, SANTA CRUZ, STANISLAUS, AND TUOLUMNE COUNTIES:

	Rates	Fringes
Underground Utility Worker /Landscape Fitter.....	\$ 32.22	17.55

PLUM0393-001 07/01/2021

SAN BENITO AND SANTA CLARA COUNTIES

	Rates	Fringes
PLUMBER/PIPEFITTER.....	\$ 68.76	46.63

PLUM0442-001 07/01/2023

CALAVERAS, MARIPOSA, MERCED, SAN JOAQUIN, STANISLAUS & TUOLUMNE COUNTIES

	Rates	Fringes
PLUMBER & STEAMFITTER.....	\$ 51.90	35.64

PLUM0467-001 07/01/2021

SAN MATEO COUNTY

	Rates	Fringes
Plumber/Pipefitter/Steamfitter...	\$ 73.10	38.61

ROOF0027-002 01/01/2023

FRESNO, KINGS, AND MADERA COUNTIES

	Rates	Fringes
ROOFER.....	\$ 41.31	15.31

FOOTNOTE: Work with pitch, pitch base of pitch impregnated products or any material containing coal tar pitch, on any building old or new, where both asphalt and pitchers are used in the application of a built-up roof or tear off: \$2.00 per hour additional.

 ROOF0040-002 08/01/2022

SAN FRANCISCO & SAN MATEO COUNTIES:

	Rates	Fringes
ROOFER.....	\$ 49.83	21.14

 ROOF0081-001 08/01/2022

ALAMEDA AND CONTRA COSTA COUNTIES:

	Rates	Fringes
Roofer.....	\$ 50.27	20.66

 ROOF0081-004 08/01/2022

CALAVERAS, MARIPOSA, MERCED, SAN JOAQUIN, STANISLAUS AND TUOLUMNE COUNTIES:

	Rates	Fringes
ROOFER.....	\$ 43.13	19.71

 ROOF0095-002 08/01/2022

MONTEREY, SAN BENITO, SANTA CLARA, AND SANTA CRUZ COUNTIES:

	Rates	Fringes
ROOFER		
Bitumastic, Enameler, Coal		
Tar, Pitch and Mastic		
worker.....	\$ 55.16	20.82
Journeyman.....	\$ 51.16	20.82
Kettle person (2 kettles)...	\$ 53.16	20.82

 SFCA0483-001 01/01/2023

ALAMEDA, CONTRA COSTA, SAN FRANCISCO, SAN MATEO AND SANTA CLARA COUNTIES:

	Rates	Fringes
SPRINKLER FITTER (FIRE).....	\$ 72.59	36.95

 SFCA0669-011 04/01/2023

CALAVERAS, FRESNO, KINGS, MADERA, MARIPOSA, MERCED, MONTEREY, SAN BENITO, SAN JOAQUIN, SANTA CRUZ, STANISLAUS AND TUOLUMNE COUNTIES:

	Rates	Fringes
SPRINKLER FITTER.....	\$ 44.32	27.25

 SHEE0104-001 07/01/2020

AREA 1: ALAMEDA, CONTRA COSTA, SAN FRANCISCO, SAN MATEO, SANTA CLARA

AREA 2: MONTEREY & SAN BENITO

AREA 3: SANTA CRUZ

	Rates	Fringes
SHEET METAL WORKER		
AREA 1:		
Mechanical Contracts		
under \$200,000.....	\$ 55.92	45.29
All Other Work.....	\$ 64.06	46.83
AREA 2.....	\$ 52.90	36.44

AREA 3.....\$ 55.16 34.18

SHEE0104-003 07/01/2021

CALAVERAS AND SAN JOAQUIN COUNTIES:

	Rates	Fringes
SHEET METAL WORKER.....	\$ 44.34	39.22

SHEE0104-005 07/01/2021

MARIPOSA, MERCED, STANISLAUS AND TUOLUMNE COUNTIES:

	Rates	Fringes
SHEET METAL WORKER (Excluding metal deck and siding).....	\$ 41.28	45.41

SHEE0104-007 07/01/2021

FRESNO, KINGS, AND MADERA COUNTIES:

	Rates	Fringes
SHEET METAL WORKER.....	\$ 44.07	40.79

SHEE0104-015 07/01/2020

ALAMEDA, CONTRA COSTA, MONTEREY, SAN BENITO, SAN FRANCISCO, SAN MATEO, SANTA CLARA AND SANTA CRUZ COUNTIES:

	Rates	Fringes
SHEET METAL WORKER (Metal Decking and Siding only).....	\$ 44.45	35.55

SHEE0104-018 07/01/2020

CALAVERAS, FRESNO, KINGS, MADERA, MARIPOSA, MERCED, SAN JOAQUIN, STANISLAUS AND TUOLUMNE COUNTIES:

	Rates	Fringes
Sheet metal worker (Metal decking and siding only).....	\$ 44.45	35.55

TEAM0094-001 07/01/2022

	Rates	Fringes
Truck drivers:		
GROUP 1.....	\$ 36.95	31.14
GROUP 2.....	\$ 37.25	31.14
GROUP 3.....	\$ 37.55	31.14
GROUP 4.....	\$ 37.90	31.14
GROUP 5.....	\$ 38.25	31.14

FOOTNOTES:

Articulated dump truck; Bulk cement spreader (with or without auger); Dumpcrete truck; Skid truck (debris box); Dry pre-batch concrete mix trucks; Dumpster or similar type; Slurry truck: Use dump truck yardage rate. Heater planer; Asphalt burner; Scarifier burner; Industrial lift truck (mechanical tailgate); Utility and clean-up truck: Use appropriate rate for the power unit or the equipment utilized.

TRUCK DRIVER CLASSIFICATIONS

GROUP 1: Dump trucks, under 6 yds.; Single unit flat rack (2-axle unit); Nipper truck (when flat rack truck is used appropriate flat rack shall apply); Concrete pump truck (when flat rack truck is used appropriate flat rack shall apply); Concrete pump machine; Fork lift and lift jitneys; Fuel and/or grease truck driver or fuel person; Snow buggy; Steam cleaning; Bus or personhaul driver; Escort or pilot car driver; Pickup truck; Teamster oiler/greaser and/or serviceperson; Hook tender (including loading and unloading); Team driver; Tool room attendant (refineries)

GROUP 2: Dump trucks, 6 yds. and under 8 yds.; Transit mixers, through 10 yds.; Water trucks, under 7,000 gals.; Jetting trucks, under 7,000 gals.; Single-unit flat rack (3-axle unit); Highbed heavy duty transport; Scissor truck; Rubber-tired muck car (not self-loaded); Rubber-tired truck jumbo; Winch truck and "A" frame drivers; Combination winch

truck with hoist; Road oil truck or bootperson; Buggy/mobile; Ross, Hyster and similar straddle carriers; Small rubber-tired tractor

GROUP 3: Dump trucks, 8 yds. and including 24 yds.; Transit mixers, over 10 yds.; Water trucks, 7,000 gals. and over; Jetting trucks, 7,000 gals. and over; Vacuum trucks under 7500 gals. Trucks towing tilt bed or flat bed pull trailers; Lowbed heavy duty transport; Heavy duty transport tiller person; Self-propelled street sweeper with self-contained refuse bin; Boom truck - hydro-lift or Swedish type extension or retracting crane; P.B. or similar type self-loading truck; Tire repairperson; Combination bootperson and road oiler; Dry distribution truck (A bootperson when employed on such equipment, shall receive the rate specified for the classification of road oil trucks or bootperson); Ammonia nitrate distributor, driver and mixer; Snow Go and/or plow

GROUP 4: Dump trucks, over 25 yds. and under 65 yds.; Water pulls - DW 10's, 20's, 21's and other similar equipment when pulling Aqua/pak or water tank trailers; Helicopter pilots (when transporting men and materials); Lowbed Heavy Duty Transport up to including 7 axles; DW10's, 20's, 21's and other similar Cat type, Terra Cobra, LeTourneau Pulls, Tournorocker, Euclid and similar type equipment when pulling fuel and/or grease tank trailers or other miscellaneous trailers; Vacuum Trucks 7500 gals and over and truck repairman

GROUP 5: Dump trucks, 65 yds. and over; Holland hauler; Low bed Heavy Duty Transport over 7 axles

WELDERS - Receive rate prescribed for craft performing operation to which welding is incidental.

=====

** Workers in this classification may be entitled to a higher minimum wage under Executive Order 14026 (\$16.20) or 13658 (\$12.15). Please see the Note at the top of the wage determination for more information.

Note: Executive Order (EO) 13706, Establishing Paid Sick Leave for Federal Contractors applies to all contracts subject to the Davis-Bacon Act for which the contract is awarded (and any solicitation was issued) on or after January 1, 2017. If this contract is covered by the EO, the contractor must provide employees with 1 hour of paid sick leave for every 30 hours they work, up to 56 hours of paid sick leave each year. Employees must be permitted to use paid sick leave for their own illness, injury or other health-related needs, including preventive care; to assist a family member (or person who is like family to the employee) who is ill, injured, or has other health-related needs, including preventive care; or for reasons resulting from, or to assist a family member (or person who is like family to the employee) who is a victim of, domestic violence, sexual assault, or stalking. Additional information on contractor requirements and worker protections under the EO is available at <https://www.dol.gov/agencies/whd/government-contracts>.

Unlisted classifications needed for work not included within the scope of the classifications listed may be added after award only as provided in the labor standards contract clauses (29CFR 5.5 (a) (1) (ii)).

The body of each wage determination lists the classification and wage rates that have been found to be prevailing for the cited type(s) of construction in the area covered by the wage determination. The classifications are listed in alphabetical order of ""identifiers"" that indicate whether the particular rate is a union rate (current union negotiated rate for local), a survey rate (weighted average rate) or a union average rate (weighted union average rate).

Union Rate Identifiers

A four letter classification abbreviation identifier enclosed in dotted lines beginning with characters other than ""SU"" or ""UAVG"" denotes that the union classification and rate were prevailing for that classification in the survey. Example: PLUM0198-005 07/01/2014. PLUM is an abbreviation identifier of the union which prevailed in the survey for this

classification, which in this example would be Plumbers. 0198 indicates the local union number or district council number where applicable, i.e., Plumbers Local 0198. The next number, 005 in the example, is an internal number used in processing the wage determination. 07/01/2014 is the effective date of the most current negotiated rate, which in this example is July 1, 2014.

Union prevailing wage rates are updated to reflect all rate changes in the collective bargaining agreement (CBA) governing this classification and rate.

Survey Rate Identifiers

Classifications listed under the "SU" identifier indicate that no one rate prevailed for this classification in the survey and the published rate is derived by computing a weighted average rate based on all the rates reported in the survey for that classification. As this weighted average rate includes all rates reported in the survey, it may include both union and non-union rates. Example: SULA2012-007 5/13/2014. SU indicates the rates are survey rates based on a weighted average calculation of rates and are not majority rates. LA indicates the State of Louisiana. 2012 is the year of survey on which these classifications and rates are based. The next number, 007 in the example, is an internal number used in producing the wage determination. 5/13/2014 indicates the survey completion date for the classifications and rates under that identifier.

Survey wage rates are not updated and remain in effect until a new survey is conducted.

Union Average Rate Identifiers

Classification(s) listed under the UAVG identifier indicate that no single majority rate prevailed for those classifications; however, 100% of the data reported for the classifications was union data. EXAMPLE: UAVG-OH-0010 08/29/2014. UAVG indicates that the rate is a weighted union average rate. OH indicates the state. The next number, 0010 in the example, is an internal number used in producing the wage determination. 08/29/2014 indicates the survey completion date for the classifications and rates under that identifier.

A UAVG rate will be updated once a year, usually in January of each year, to reflect a weighted average of the current negotiated/CBA rate of the union locals from which the rate is based.

WAGE DETERMINATION APPEALS PROCESS

1.) Has there been an initial decision in the matter? This can be:

- * an existing published wage determination
- * a survey underlying a wage determination
- * a Wage and Hour Division letter setting forth a position on a wage determination matter
- * a conformance (additional classification and rate) ruling

On survey related matters, initial contact, including requests for summaries of surveys, should be with the Wage and Hour National Office because National Office has responsibility for the Davis-Bacon survey program. If the response from this initial contact is not satisfactory, then the process described in 2.) and 3.) should be followed.

With regard to any other matter not yet ripe for the formal process described here, initial contact should be with the Branch of Construction Wage Determinations. Write to:

Branch of Construction Wage Determinations
Wage and Hour Division
U.S. Department of Labor
200 Constitution Avenue, N.W.
Washington, DC 20210

2.) If the answer to the question in 1.) is yes, then an interested party (those affected by the action) can request review and reconsideration from the Wage and Hour Administrator (See 29 CFR Part 1.8 and 29 CFR Part 7). Write to:

Wage and Hour Administrator
U.S. Department of Labor
200 Constitution Avenue, N.W.
Washington, DC 20210

The request should be accompanied by a full statement of the interested party's position and by any information (wage payment data, project description, area practice material, etc.) that the requestor considers relevant to the issue.

3.) If the decision of the Administrator is not favorable, an interested party may appeal directly to the Administrative Review Board (formerly the Wage Appeals Board). Write to:

Administrative Review Board
U.S. Department of Labor
200 Constitution Avenue, N.W.
Washington, DC 20210

4.) All decisions by the Administrative Review Board are final.

=====

END OF GENERAL DECISIO"