

COUNTY OF SAN MATEO
Parks Department



DATE: March 16, 2015

COMMISSION MEETING DATE: April 9, 2015

TO: Parks and Recreation Commission

FROM: Cecily Harris, Development Consultant

SUBJECT: Surfer's Beach Shoreline Protection and Coastal Access Enhancement Project Update

RECOMMENDATION

Accept informational report.

BACKGROUND

Just north of Mirada Surf County Park in mid-coast San Mateo County is a wide sandy beach on the western side of Highway 1. Surfer's Beach is very popular with surfers, stand-up paddlers, sea kayakers and other beach goers. Caltrans and the City of Half Moon Bay own the lands containing the Highway 1 shoulder and the lands leading from Mirada Surf County Park past Surfer's Beach and continuing north along the California Coastal Trail.

The trail and seawall adjacent to Surfer's Beach have long been known as the "400 feet of danger at Surfer's Beach." The County, City of Half Moon Bay and Caltrans have worked collaboratively to find a solution for safe recreational use in this area. In 2012, County Parks secured an \$180,000 Cosco Busan Recreational Use grant to develop plans for a temporary vertical staircase, new retaining seawall, and a restored California Coastal Trail along Highway 1 along Surfer's Beach. This grant would be used to underwrite the plans, permits and specifications that would be used for a future construction project to provide safe access for recreational use of Surfer's Beach and eliminate erosion.

DISCUSSION

Although County Parks took the lead to secure funding for the planning phase of this project, County Planning is managing the consulting team that is undertaking the planning phase of this project. This PowerPoint presentation gives a status report. Caltrans will manage the construction of the Surfer's Beach improvements.

This report outlines the work that has been done thus far. The next task is the development of the construction documents. Caltrans will manage the construction.

Surfer's Beach Shoreline Protection and Coastal Access Enhancement Project





Project Partners

- **County of San Mateo**
- **California Department of Transportation**
- **City of Half Moon Bay**

Consultant

- **WRECO**



Project Funders

- **National Fish and Wildlife Foundation**
 - \$180,000 in Cosco Busan Recreational Use Grant
- **County of San Mateo**
 - \$100,000 from General Fund
 - \$20,000 from Midcoast Park Fund
- **City of Half Moon Bay**
 - \$100,000
- **California Coastal Commission**
 - \$15,000 in mitigation funds
- **Caltrans**
 - \$1.48 Million



Objective

- **The Surfer's Beach project objectives are to:**
 - Provide interim protection of Highway 1 and California Coastal Trail from further coastal erosion
 - Provide safe pedestrian beach access via staircase
 - Construct Coastal Trail segment to connect existing trails and eliminate the gap that exists today

An aerial photograph of a coastal area. At the top, a paved road runs horizontally, with a dark car visible. Below the road is a sandy beach area with some sparse vegetation and a person in a blue shirt. The ocean is in the foreground, with white-capped waves breaking onto the shore. The text 'Priorities' is overlaid in the center of the image.

Priorities

- **Interim measure to protect the Coastal Trail and roadway while long-term solution is identified**
- **Enhance coastal access and recreation**
- **Design to Caltrans standards**
- **Should be easily removable**
- **Will have minimal amount of beach take**
- **Avoid or minimize adverse impact to local wetlands**

An aerial photograph of a coastal area. In the foreground, there are dark blue ocean waves with white foam. A wide, light-colored sandy beach runs horizontally across the middle. Above the beach is a paved road with a dark car driving on it. The background shows a line of green and brown vegetation. The word "Process" is overlaid in large black text in the upper center.

Process

- **Environmental Studies for NEPA and CEQA**
 - Natural Environmental Study
 - Location Hydraulic Study
 - Water Quality Report
 - Hazardous Waste Assessment
 - Geotechnical / Paleo Study
 - Cultural Resources
 - Sand Supply Study
 - Wave Runup Analysis
 - Sea Level Rise

An aerial photograph of a coastal area. At the top, a paved road runs horizontally with a dark car driving. Below the road is a sandy beach area with some sparse vegetation and a person in a blue shirt. The ocean is in the foreground, with white-capped waves breaking onto the shore. The text 'Process' is overlaid in the upper center of the image.

Process

- **Permits**
 - California Coastal Commission
- **Consultations**
 - California Department of Fish and Wildlife
 - Regional Water Quality Control Board
 - National Oceanic Atmospheric Administration

An aerial photograph of a coastal area. In the foreground, there is a sandy beach with some rocks and sparse vegetation. A paved road runs horizontally across the middle ground, with a dark car visible on it. The ocean is in the background, with white-capped waves breaking. The text 'Timeline' is overlaid in the upper center of the image.

Timeline

- **Coastal Development Permit Application-
March, 2015**
- **Coastal Commission hearing- May, 2015**
- **California Transportation Commission
approval of construction funds- June, 2015**
- **Anticipated start of construction - Sept. 2015**
- **Anticipated end of construction - Nov. 2015**

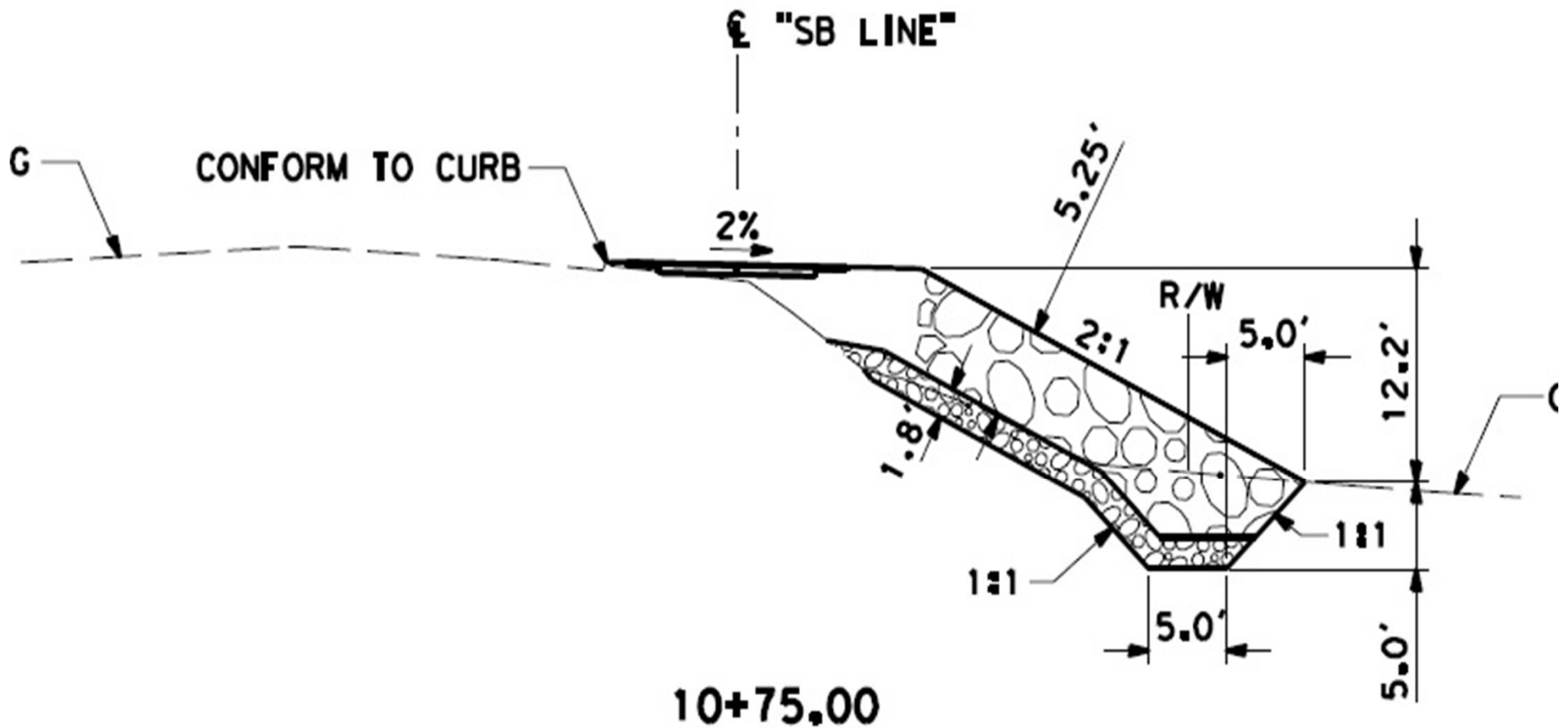
Plan View



Beach Cross Section



Beach Cross Section



Project Plan



Visual Simulation

