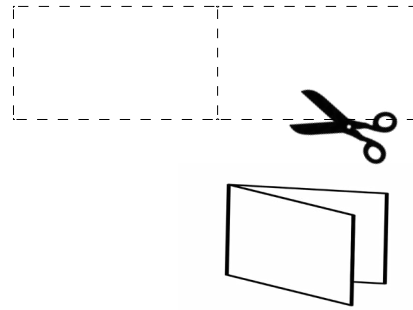


To print at home, use heavy weight paper, or card stock. Cut out the cards along the dotted lines. If you're unable to print on both sides, you can simply fold on the center line to make a 2-sided card.

If you use a professional printer, we suggest you print 2-sided cards with white text on red card stock with rounded corners.



你有以下憲法賦與的權利：

- 如移民局人員敲門，不要開門。
- 如移民局人員想和你交談，不要回答任何問題。你有權保持緘默。
- 未和律師諮詢之前，不要簽署任何文件。你有權和一名律師交談。
- 如你在家外面，問移民局人員你是否可以離開，如他們答可以，請鎮靜地離開。
- 出示此卡給移民局人員看。如你在家裡。可在窗口或門下面遞出去給他們看。

社区响应热线: 203-666-4472

I do not wish to speak with you, answer your questions, or sign or hand you any documents based on my 5th Amendment rights under the United States Constitution.

I do not give you permission to enter my home based on my 4th Amendment rights under the United States Constitution unless you have a warrant to enter, signed by a judge or magistrate with my name on it that you slide under the door.

I do not give you permission to search any of my belongings based on my 4th Amendment rights.

I choose to exercise my constitutional rights.

*These cards are available to citizens and noncitizens alike.*

你有以下憲法賦與的權利：

- 如移民局人員敲門，不要開門。
- 如移民局人員想和你交談，不要回答任何問題。你有權保持緘默。
- 未和律師諮詢之前，不要簽署任何文件。你有權和一名律師交談。
- 如你在家外面，問移民局人員你是否可以離開，如他們答可以，請鎮靜地離開。
- 出示此卡給移民局人員看。如你在家裡。可在窗口或門下面遞出去給他們看。

社区响应热线: 203-666-4472

I do not wish to speak with you, answer your questions, or sign or hand you any documents based on my 5th Amendment rights under the United States Constitution.

I do not give you permission to enter my home based on my 4th Amendment rights under the United States Constitution unless you have a warrant to enter, signed by a judge or magistrate with my name on it that you slide under the door.

I do not give you permission to search any of my belongings based on my 4th Amendment rights.

I choose to exercise my constitutional rights.

*These cards are available to citizens and noncitizens alike.*

你有以下憲法賦與的權利：

- 如移民局人員敲門，不要開門。
- 如移民局人員想和你交談，不要回答任何問題。你有權保持緘默。
- 未和律師諮詢之前，不要簽署任何文件。你有權和一名律師交談。
- 如你在家外面，問移民局人員你是否可以離開，如他們答可以，請鎮靜地離開。
- 出示此卡給移民局人員看。如你在家裡。可在窗口或門下面遞出去給他們看。

社区响应热线: 203-666-4472

I do not wish to speak with you, answer your questions, or sign or hand you any documents based on my 5th Amendment rights under the United States Constitution.

I do not give you permission to enter my home based on my 4th Amendment rights under the United States Constitution unless you have a warrant to enter, signed by a judge or magistrate with my name on it that you slide under the door.

I do not give you permission to search any of my belongings based on my 4th Amendment rights.

I choose to exercise my constitutional rights.

*These cards are available to citizens and noncitizens alike.*

你有以下憲法賦與的權利：

- 如移民局人員敲門，不要開門。
- 如移民局人員想和你交談，不要回答任何問題。你有權保持緘默。
- 未和律師諮詢之前，不要簽署任何文件。你有權和一名律師交談。
- 如你在家外面，問移民局人員你是否可以離開，如他們答可以，請鎮靜地離開。
- 出示此卡給移民局人員看。如你在家裡。可在窗口或門下面遞出去給他們看。

社区响应热线: 203-666-4472

I do not wish to speak with you, answer your questions, or sign or hand you any documents based on my 5th Amendment rights under the United States Constitution.

I do not give you permission to enter my home based on my 4th Amendment rights under the United States Constitution unless you have a warrant to enter, signed by a judge or magistrate with my name on it that you slide under the door.

I do not give you permission to search any of my belongings based on my 4th Amendment rights.

I choose to exercise my constitutional rights.

*These cards are available to citizens and noncitizens alike.*